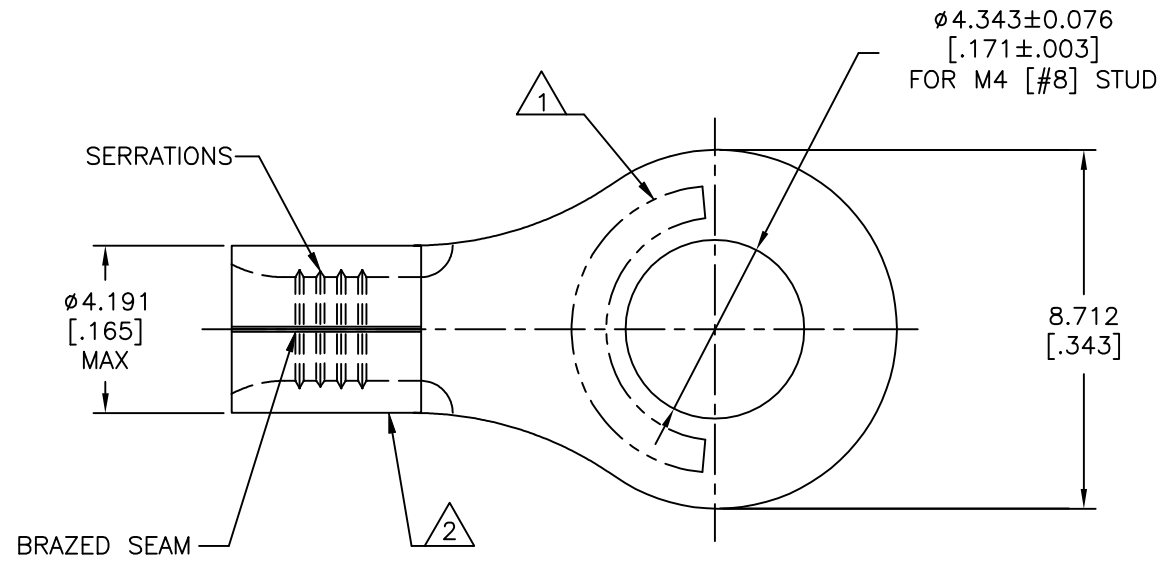


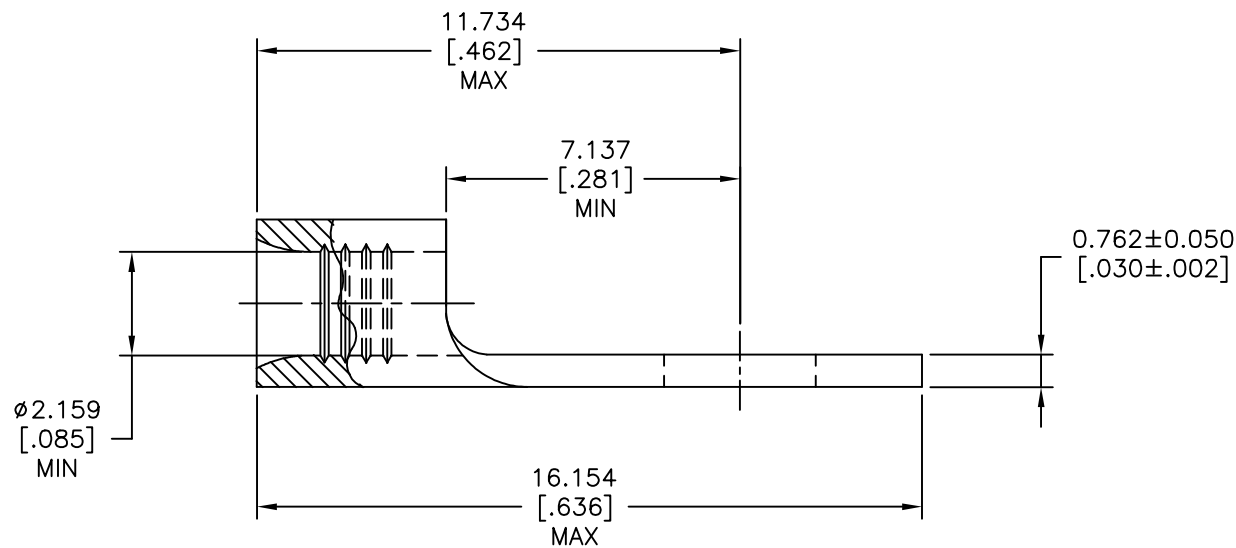
THIS DRAWING IS UNPUBLISHED. RELEASED FOR PUBLICATION
 © COPYRIGHT - By - ALL RIGHTS RESERVED.

| REVISIONS | | | | |
|-----------|-----|---------------------------|-----------|-------|
| P | LTR | DESCRIPTION | DATE | APVD |
| G1 | | REVISED PER ECO-16-013568 | 21SEP2016 | NK DR |
| G2 | | REVISED PER ECO-17-008806 | 20FEB2018 | RS DR |



| | |
|--------------------------------|---------------------------|
| AMP WIRE RANGE | E13288 Listed |
| 16-14 AWG SOLID OR STRANDED | NOT APPLICABLE |
| LR7189 Certified | MILITARY P/N AND CLASS |
| NOT APPLICABLE | NOT APPLICABLE |

- STAMP AMP 16-14 APPROX AS SHOWN
- WIRE BARREL COLOR CODED ORANGE TO DENOTE NICKEL MATERIAL
- 3 NOTE DELETED



| | | |
|------|--------------|-------------|
| 1000 | LOOSE PIECE | 322334 |
| QTY. | PACKAGE TYPE | PART NUMBER |

| | | | | | |
|---|---|---|--|---|---|
| AMP INCORPORATED CUSTOMER SERVICE SYSTEMS | | THIS DRAWING IS A CONTROLLED DOCUMENT. DIMENSIONS: mm [INCHES] TOLERANCES UNLESS OTHERWISE SPECIFIED: 0 PLC ± - 1 PLC ± - 2 PLC ± - 3 PLC ± .127[.005] 4 PLC ± - ANGLES ± - FINISH - MATERIAL: NICKEL PER ASTM B-162 ANNEALED | | DWN TA BRINKMAN 4-15-93 CHK DA PATTERSON 4-15-93 APVD DE MILLER 4-15-93 PRODUCT SPEC APPLICATION SPEC WEIGHT - CUSTOMER DRAWING | TE TE Connectivity Ltd. NAME: TERMINAL, RING TONGUE, HIGH TEMPERATURE, STRATO-THERM 16-14 AWG SIZE: A2 CAGE CODE: 00779 DRAWING NO: C=322334 RESTRICTED TO: - SCALE: 8:1 SHEET: 1 of 1 REV: G2 |
| FOR ADDITIONAL PRODUCT INFORMATION OR COPIES OF DRAWINGS AND TECHNICAL DOCUMENTS FOR APPLICATION TOOLING INFORMATION FOR ORDER ENTRY | PRODUCT INFORMATION CENTER 1-800-522-6752 TOOLING ASSISTANCE CENTER 1-800-722-1111 1-800-526-5142 | MAX RECOMMENDED OPERATING TEMPERATURE: 649°C[1200°F]MAX VOLTAGE RATING: NOT APPLICABLE WIRE CROSS SECTIONAL AREA RANGE, 1.04-2.62mm²[2,050-5,180] CIR MILS SOLID OR STRANDED | | | |

Mouser Electronics

Authorized Distributor

Click to View Pricing, Inventory, Delivery & Lifecycle Information:

[TE Connectivity:](#)

[322334](#)