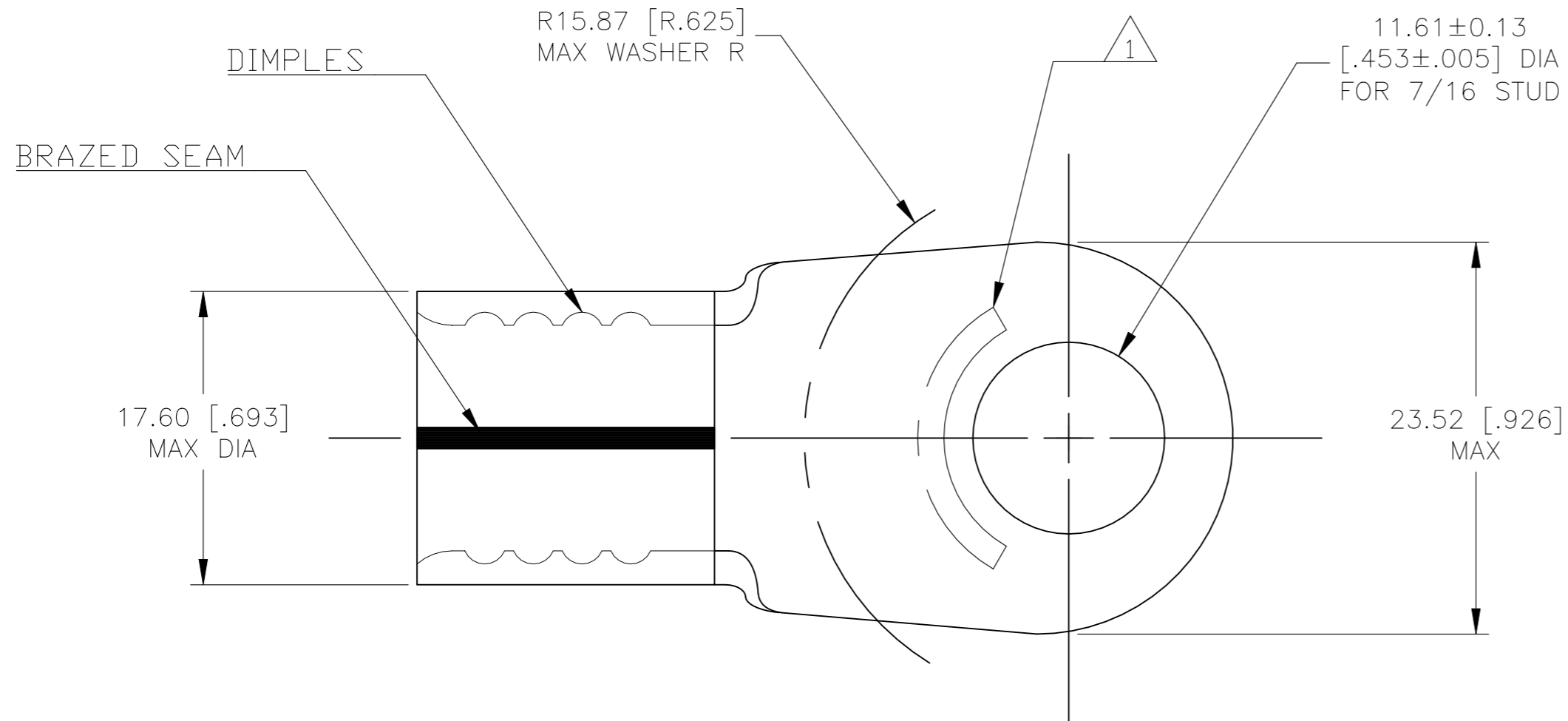
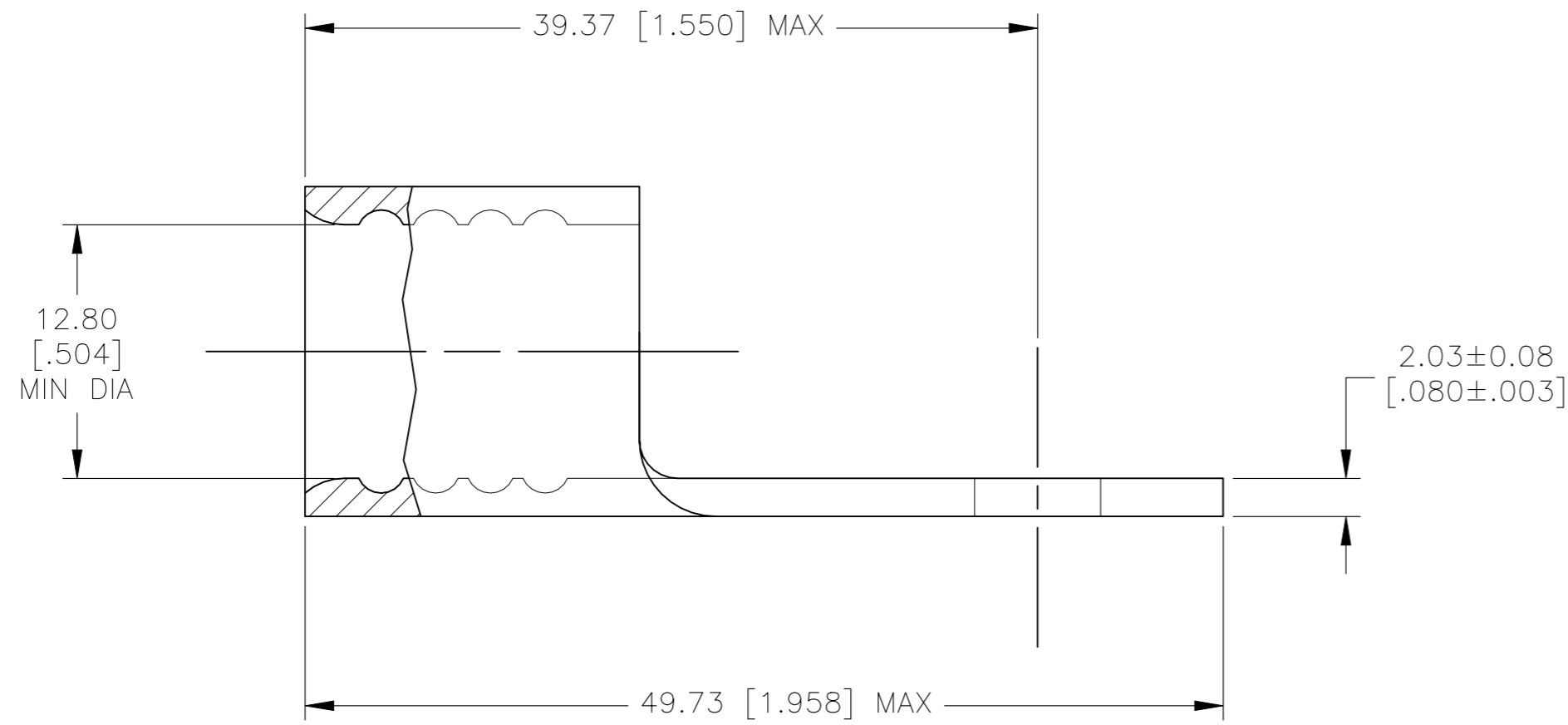


REVISIONS					
P	LTR	DESCRIPTION	DATE	DWN	APVD
	F1	REV PER ECN-22-150900	27APR2022	RK	CSD



AMP WIRE RANGE	Listed FILE E13288
2/0 AWG SOLID OR STRANDED	2/0 AWG STRANDED
LR7189 Certified	
2/0 AWG SOLID OR STRANDED	

- STAMP AMP 2/0W* APPROX AS SHOWN
- COPPER PER ASTM B-152, ANNEALED
- TIN PLATE 0/00254 [.000100] MIN EXT THK PER ASTM B-545



50	LOOSE PIECE	321872
QTY	PACKAGE TYPE	PART NO.

MAX RECOMMENDED OPERATING TEMPERATURE: 170°C MAX	THIS DRAWING IS A CONTROLLED DOCUMENT.		DWN DK SCHRUM 1/14/94	TE Connectivity
	VOLTAGE RATING: N/A	DIMENSIONS: MM [INCHES]	CHK AJ KAUFMAN 1/19/94	
CIRCULAR MIL AREA: 60.6-76.3mm² [119,500-150,500] SOLID OR STRANDED	TOLERANCES UNLESS OTHERWISE SPECIFIED: 0 PLC ± - 1 PLC ± - 2 PLC ± 0.20[.008] 3 PLC ± - 4 PLC ± - ANGLES ± -	MATERIAL -	FINISH -	NAME JL MECKLEY 1/19/94
				APVD JL MECKLEY 1/19/94
MATERIAL			APPLICATION SPEC	SIZE A2
FINISH			WEIGHT -	CAGE CODE 00779
CUSTOMER DRAWING			SCALE 2:1	DRAWING NO C-321872
			SHEET 1 OF 1	RESTRICTED TO -
			REV F1	

Mouser Electronics

Authorized Distributor

Click to View Pricing, Inventory, Delivery & Lifecycle Information:

[TE Connectivity:](#)

[321872](#)