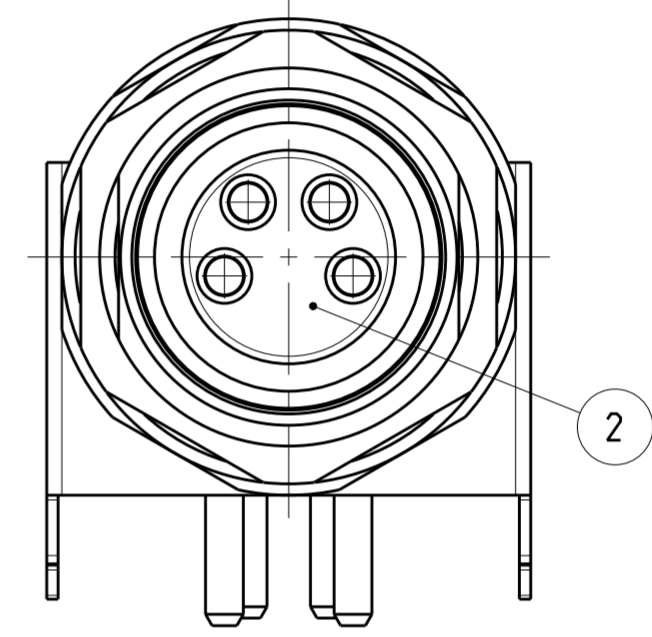
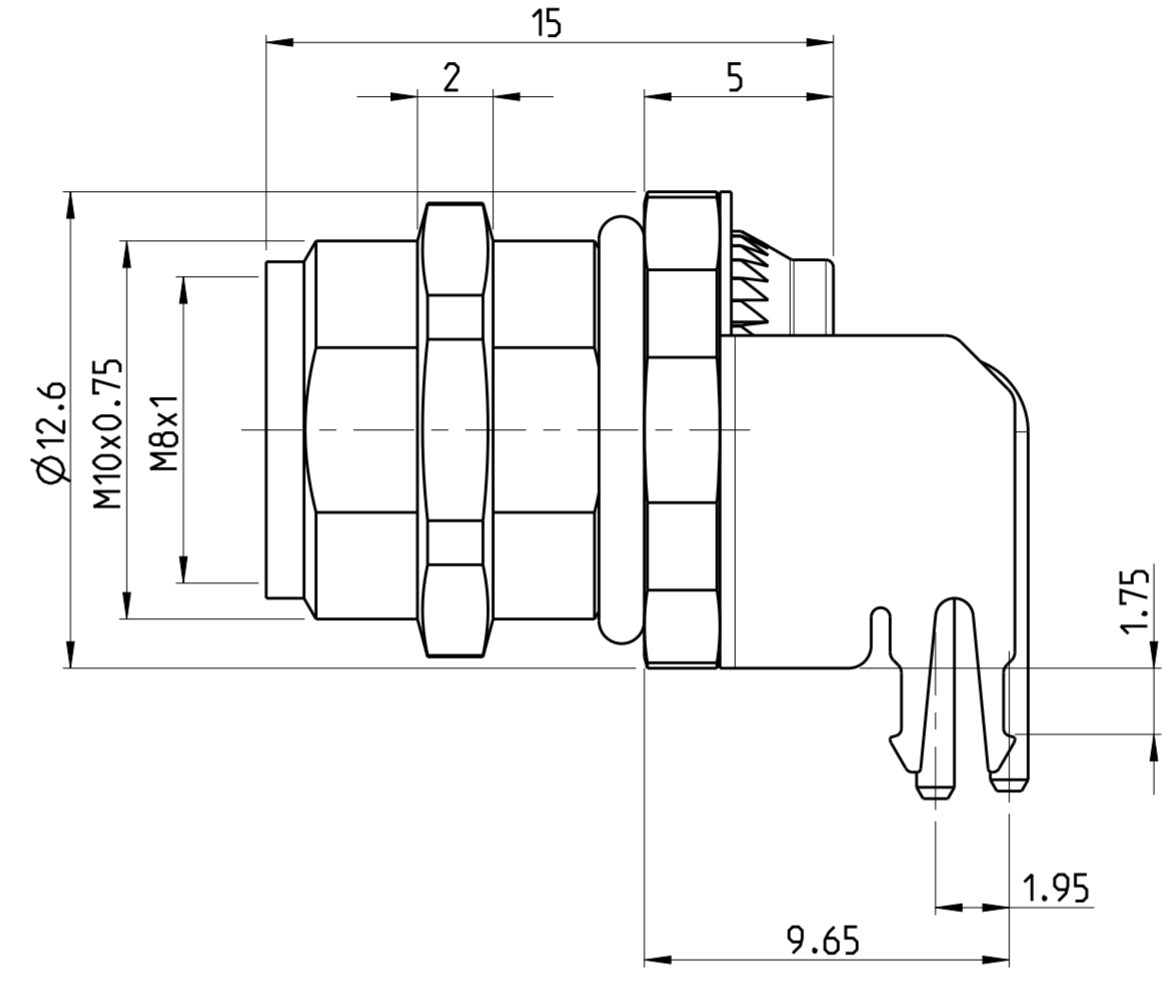


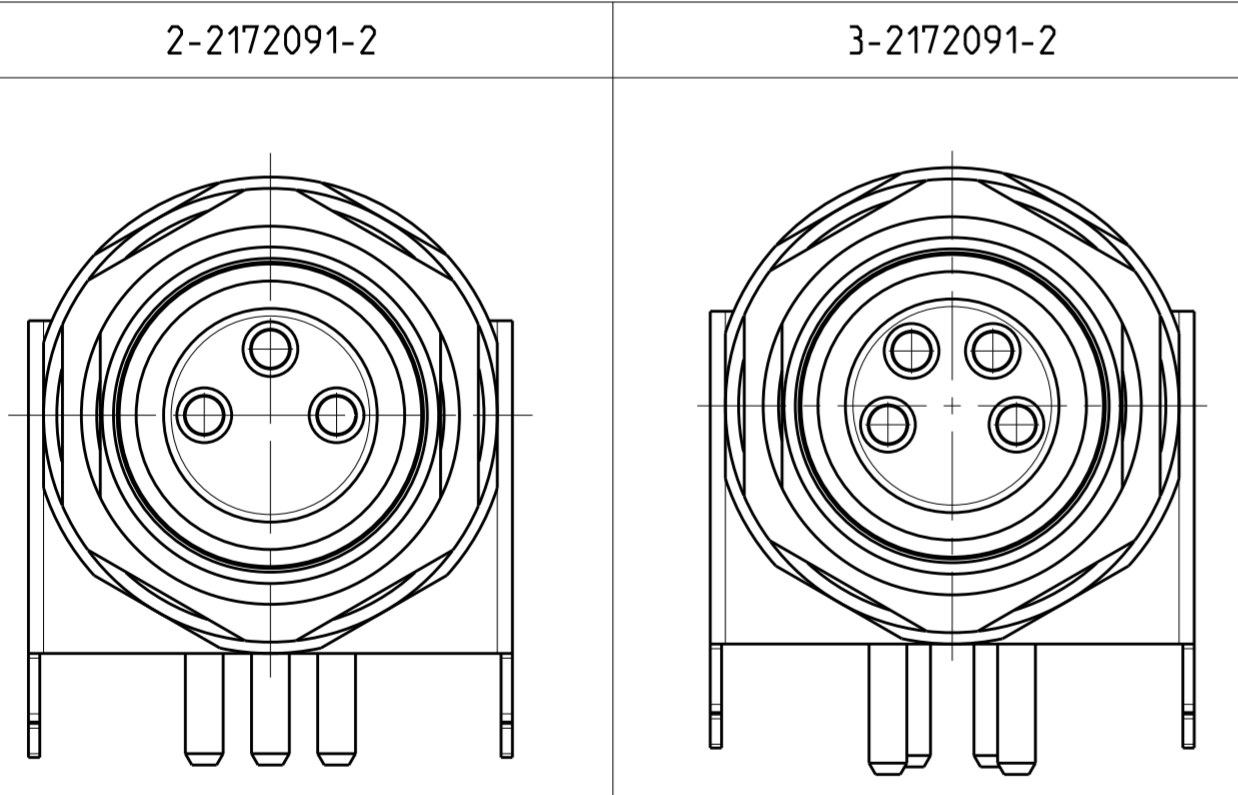
P	LTR	REVISIONS ÄNDERUNGEN DESCRIPTION BESCHREIBUNG	DATE	DWN	APVD
	A	NEW RELEASE	04DEC2014	TJ	PS
	A1	PN 3-2172091-2 DISCONTINUED	27OCT2017	TJ	NG

TECHNICAL DATA	2-2172091-2	3-2172091-2
RATED VOLTAGE	60V	30V
RATED IMPULSE VOLTAGE	800V	800V
POLLUTION DEGREE	3	3
OVERVOLTAGE CATEGORY	II	II
MATERIAL GROUP	II	II
RATED CURRENT	4A	4A
VOLUME RESISTIVITY	≤ 3mΩ	≤ 3mΩ
DEGREE OF PROTECTION	IP67	IP67
UPPER TEMPERATURE	+85 °C	+85 °C
LOWER TEMPERATURE	-40 °C	+40 °C

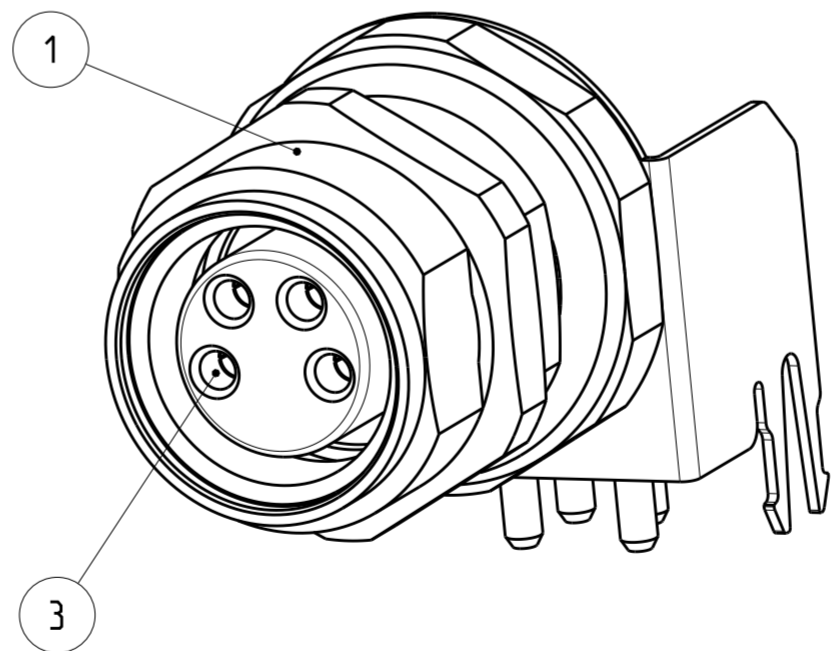
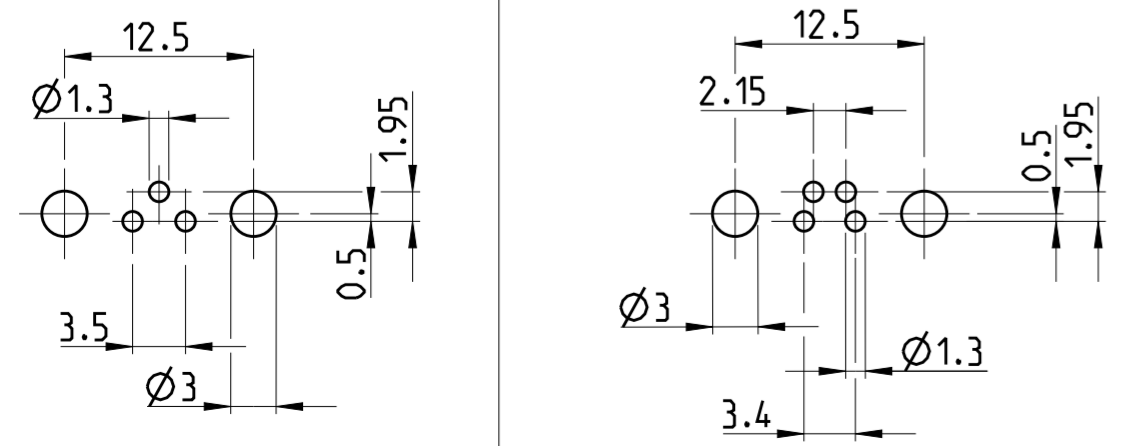
NOTES:
 1 MATERIAL: ITEM NO. 1: HOUSING - ZINC DIECASTING NICKEL PLATED.
 ITEM NO. 2: CONTACT BODY - PA (UL 94 HB)
 ITEM NO. 3: CONTACT - CuSn (BRONZE)
 CONTACT FINISH - Au (GOLD)
 2 ALL DIMENSIONS ARE FOR NOMINAL REFERENCE ONLY UNLESS OTHERWISE STATED



PIN ARRANGEMENT



CONDUCTOR LAYOUT



OBSOLETE	⚠	4	3-2172091-2
	⚠	3	2-2172091-2
MATERIAL		NUMBER OF POLES	TE-PART-NO.

DIESE ZEICHNUNG IST EIN KONTROLLIERTES DOKUMENT. BEMASSUNGEN UND TOLERANZEN GEMAESS GPS (ISO STANDARDS).		DWN YASHKUMAR 14 AUG 2014
THIS DRAWING IS A CONTROLLED DOCUMENT. DIMENSIONING AND TOLERANCING PER GPS (ISO STANDARDS).		CHK M. BRUBAKER 14 AUG 2014
DIMENSIONS: MASSEINHEITEN: (MM)		APVD M. BRUBAKER 14 AUG 2014
TOLERANCES UNLESS OTHERWISE SPECIFIED: ALLGEMEINTOLERANZEN		NAME M. BRUBAKER
0 PLC ±	1 PLC ±	PRODUCT SPEC 108-19483
2 PLC ±	3 PLC ±	APPLICATION SPEC 114-32127
4 PLC ±	ANGLES/WINKEL ±	WEIGHT -
	FINISH/OBERFLAECHE/FARBE	GEWICHT -
MATERIAL	SEE NOTES	Customer Drawing

STE TE Connectivity		SIZE A2	CAGE CODE 00779	DRAWING NO. G-2172091	RESTRICTED TO NUR FÜR -
M8 RECEPTACLE, FEMALE, PCB MOUNT, ANGLED, SHIELDED, METAL STANDOFF PANEL REAR		SCALE MASSSTAB 5:1	SHEET BLATT 1 OF 1	REV A1	

SIZE ISO 14405 (E)

Mouser Electronics

Authorized Distributor

Click to View Pricing, Inventory, Delivery & Lifecycle Information:

[TE Connectivity:](#)

[3-2172091-2](#)