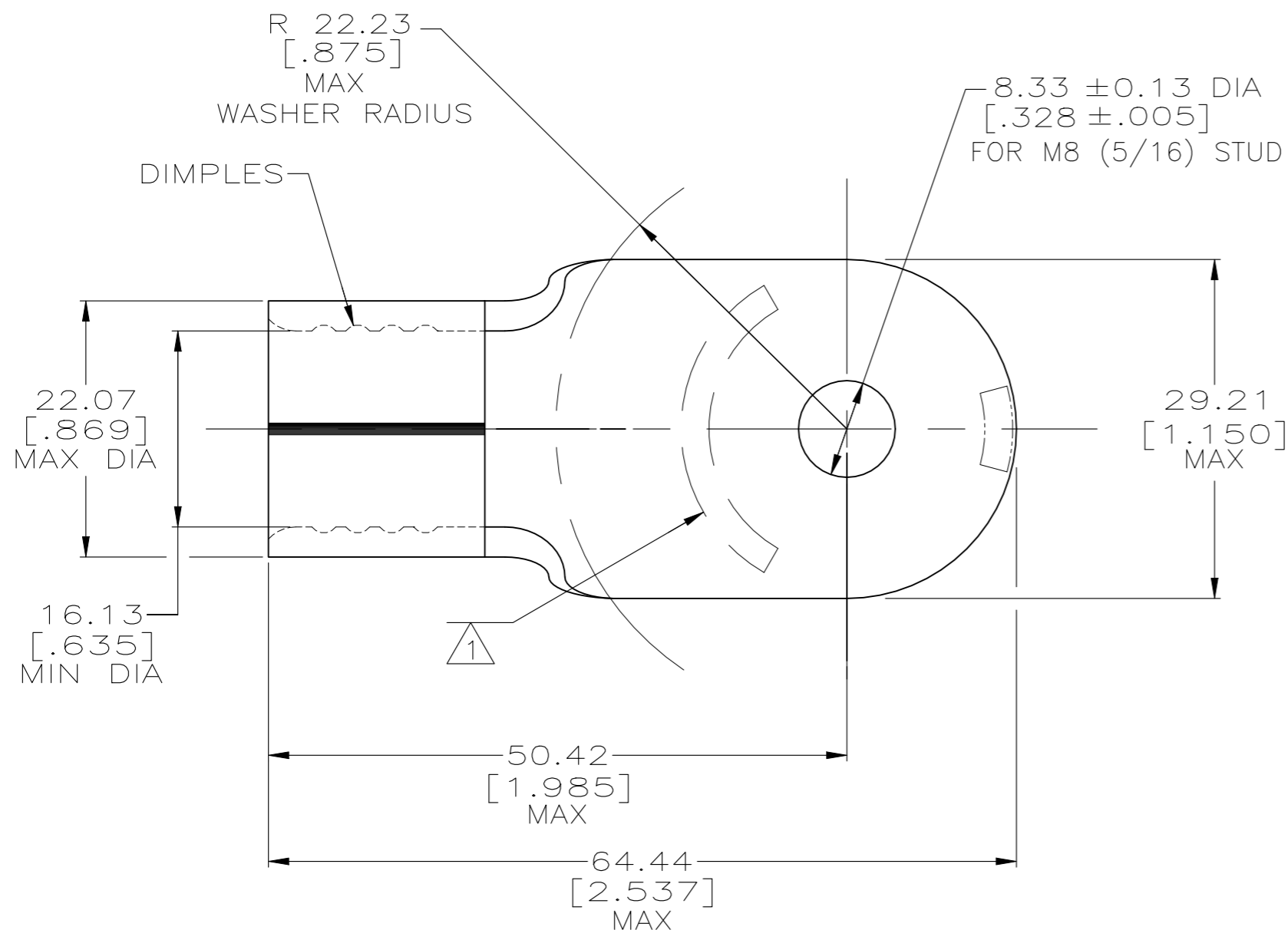


P	LTR	DESCRIPTION	DATE	DWN	APVD
	D5	REVISED PER ECN-22-150900	27APR2022	RK	CSD



<b>AMP</b> WIRE RANGE	<b>UL</b> Listed FILE E13288	<b>CSA</b> LR7189 Certified
4/0 AWG SOLID OR STRANDED	4/0 AWG SOLID OR STRANDED	4/0 AWG SOLID OR STRANDED

- 1 STAMP AMP 4/0W\* 200 APPROX AS SHOWN
- 2 MATERIAL THK: 2.59±0.08 [.102±.003]
- 3 COPPER PER ASTM B-152, ANNEALED
- 4 TIN PLATE 0.00254 [.000100] MIN EXT THK PER ASTM B545
- 5 NOTE DELETED
- 6 NICKEL PLATE 0.00762[.000300] MIN EXT THK PER SAE AMS QQ-N-290
- 7 PART IS NOT UL LISTED OR CSA CERTIFIED

7 6	343°C [650°F]	321271-1
4	170°C [338°F]	321271
	RECOMMENDED OPERATING TEMP.	PART NUMBER

# CUSTOMER SERVICE SYSTEMS

THIS DRAWING IS A CONTROLLED DOCUMENT.

DWN DK SCHRUM 15MAY96

CHK DM SWARTZ 01JUL96

APVD JL MECKLEY 01JUL96

PRODUCT SPEC

APPLICATION SPEC

WEIGHT -

CUSTOMER DRAWING



NAME: TERMINAL, RING TONGUE, SOLISTRAND

SIZE	CAGE CODE	DRAWING NO	RESTRICTED TO
A3	00779	C-321271	-

FOR ADDITIONAL PRODUCT INFORMATION OR COPIES OF DRAWINGS AND TECHNICAL DOCUMENTS	PRODUCT INFORMATION CENTER 1-800-522-6752
FOR APPLICATION TOOLING INFORMATION	TOOLING ASSISTANCE CENTER 1-800-722-1111
FOR ORDER ENTRY	1-800-526-5142

RECOMMENDED OPERATING TEMPERATURE: SEE TABLE
VOLTAGE RATING: NOT APPLICABLE
WIRE CROSS SECTIONAL AREA RANGE: 96.3-117.0mm <sup>2</sup> [190,000-231,100] CIR MILS STRANDED

DIMENSIONS: mm [INCHES]	TOLERANCES UNLESS OTHERWISE SPECIFIED:
	0 PLC ± -
	1 PLC ± -
	2 PLC ± 0.20[.008]
	3 PLC ± -
	4 PLC ± -
	ANGLES ± -
MATERIAL	FINISH
3	SEE TABLE

# Mouser Electronics

Authorized Distributor

Click to View Pricing, Inventory, Delivery & Lifecycle Information:

[TE Connectivity:](#)

[321271](#)