

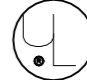

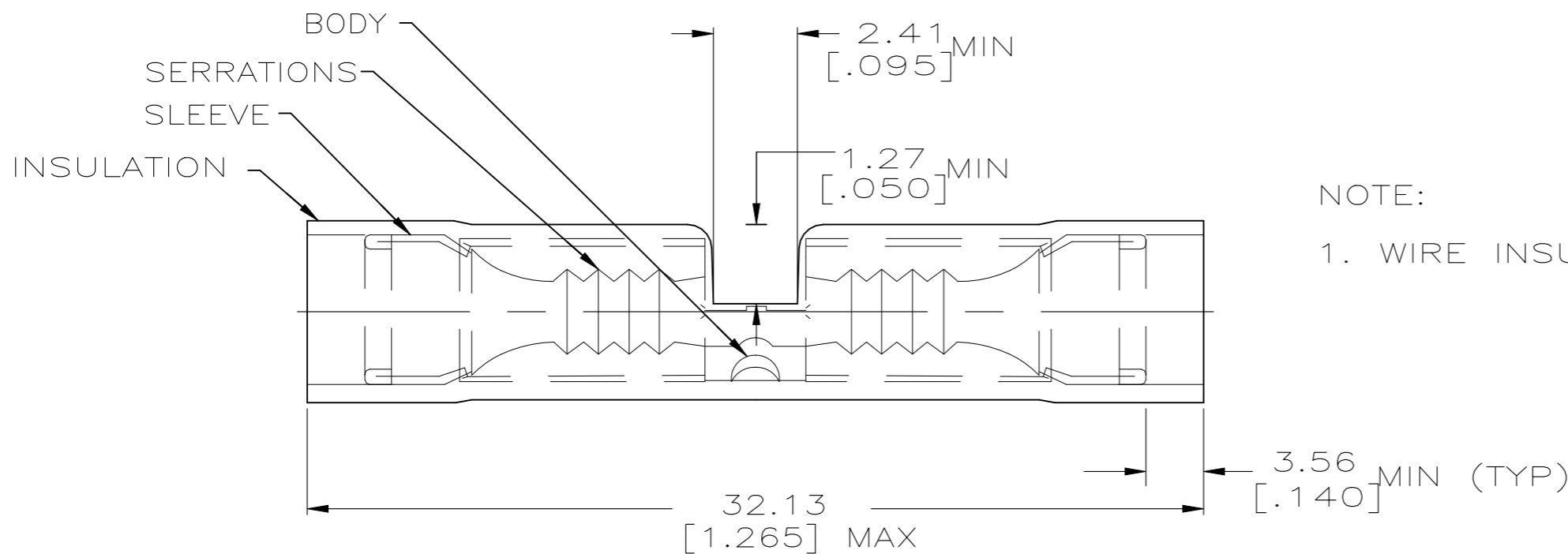


REVISIONS

P	LTR	DESCRIPTION	DATE	DWN	APVD
	M3	REVISED PER ECN-22-156403	03JUN2022	RK	CSD


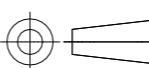
300 VOLT MAX		
<b>AMP</b> WIRE RANGE	 Listed FILE E13288	 LR7189 Certified
16-14 AWG SOLID OR STRANDED	16-14 AWG SOLID OR STRANDED	16-14 AWG SOLID OR STRANDED

600 VOLT MAX		
<b>AMP</b> WIRE RANGE	 Listed FILE E13288	 LR7189 Certified
16-14 AWG STRANDED	16-14 AWG STRANDED	16-14 AWG STRANDED



NOTE:  
1. WIRE INSULATION DIA 2.67[.105] TO 3.81[.150]

-	100	LOOSE PIECE, BOX	8-320562-5
-	5	LOOSE PIECE, BLS	8-320562-4
-	50	LOOSE PIECE, BOX	8-320562-2
-	2500	ON TAPE	2-320562-3
M7928/5-4 CLASS 1	50	LOOSE PIECE	320562
MILITARY PART NUMBER & CLASS PER MIL-T-7928	QTY	PACKAGE TYPE	PART NO.

<b>AMP INCORPORATED CUSTOMER SERVICE SYSTEMS</b>		MAX RECOMMENDED OPERATING TEMPERATURE: 105°C [221°F]	THIS DRAWING IS A CONTROLLED DOCUMENT.		DWN S.S. GOULDEN 9-28-93	 TE Connectivity			
FOR ADDITIONAL PRODUCT INFORMATION OR COPIES OF DRAWINGS AND TECHNICAL DOCUMENTS	PRODUCT INFORMATION CENTER 1-800-522-6752	VOLTAGE RATING: 600V MAX (1000V MAX FIXTURE OR SIGN)	DIMENSIONS: mm[INCHES]	TOLERANCES UNLESS OTHERWISE SPECIFIED:	CHK R. HERSEY 9-28-93				NAME SPLICE, BUTT, P.I.D.G., WIRE SIZE 16-14
FOR APPLICATION TOOLING INFORMATION	TOOLING ASSISTANCE CENTER 1-800-722-1111	CIRCULAR MIL AREA: 1.04-2.62mm² [2,050-5,180]		0 PLC ± - 1 PLC ± - 2 PLC ± 0.20[.008] 3 PLC ± - 4 PLC ± - ANGLES ± -	APVD M ELLIS 9-28-93	APPLICATION SPEC			
FOR ORDER ENTRY	1-800-526-5142	THIS DRAWING IS A CONTROLLED DOCUMENT FOR AMP INCORPORATED. IT IS SUBJECT TO CHANGE AND THE CONTROLLING ENGINEERING ORGANIZATION SHOULD BE CONTACTED FOR THE LATEST REVISION.	MATERIAL COPPER PER ASTM B-152 NYLON, COLOR-BLUE	FINISH TIN PL PER ASTM B-545	WEIGHT -	SIZE A3	CAGE CODE 00779	DRAWING NO C-320562	RESTRICTED TO -
			CUSTOMER DRAWING			SCALE NTS	SHEET 1 OF 1	REV M3	

# Mouser Electronics

Authorized Distributor

Click to View Pricing, Inventory, Delivery & Lifecycle Information:

[TE Connectivity:](#)

[320562](#)