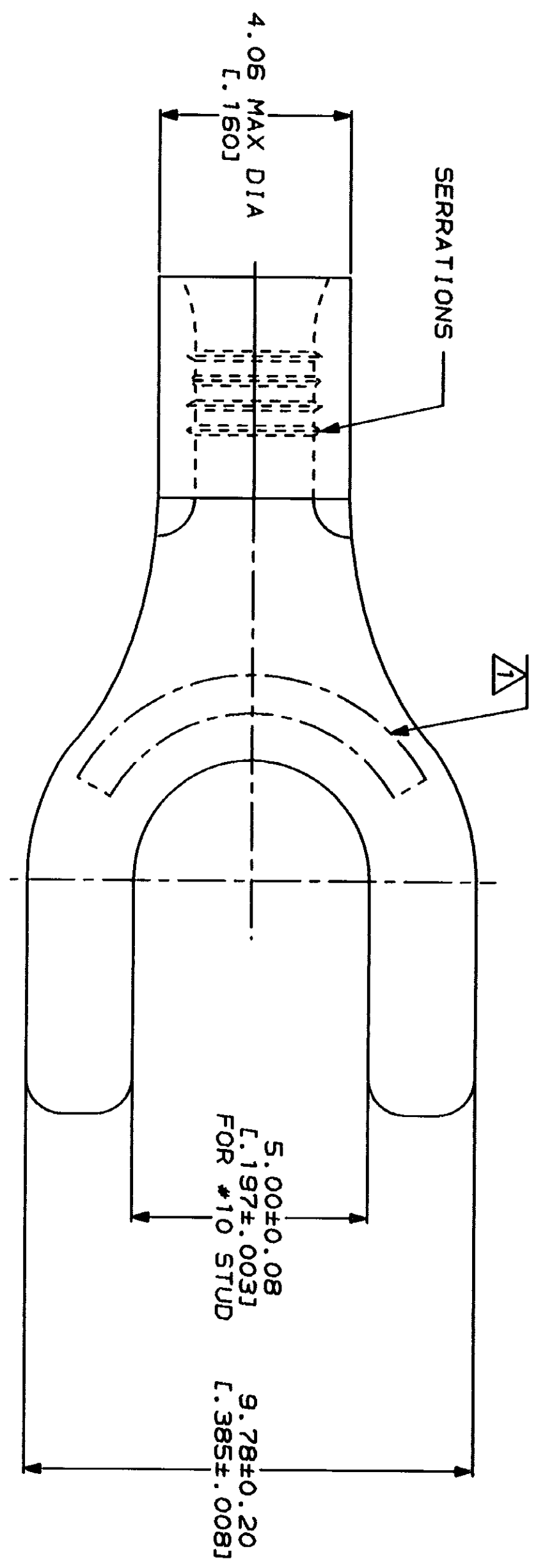


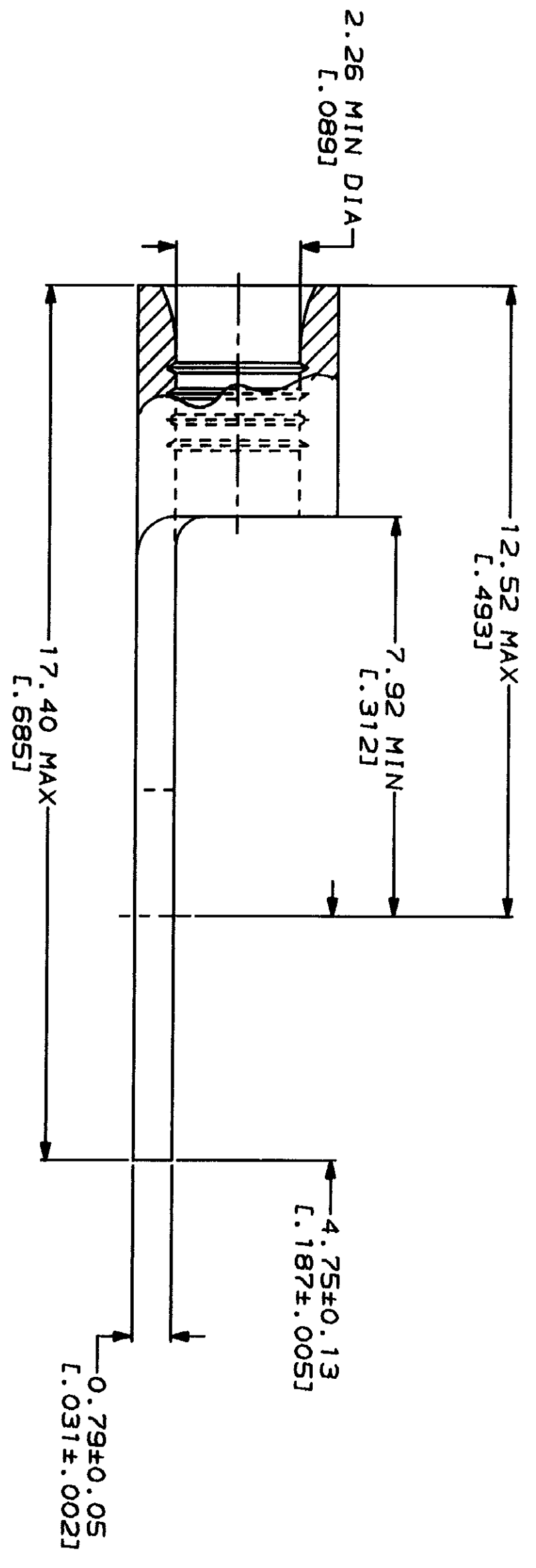
LOC	DIST	ZONE	LTR	DESCRIPTION	DATE	APPD
G	14			REVISED PER 0720-0230-93	2/25/94	DAW

**METRIC**  
 DIMENSIONS LISTED IN mm [ INCHES ]



<b>AMP</b> WIRE RANGE 16-14 AWG STRANDED	<b>UL</b> E13288 Listed
<b>LR2189</b> Certified	MILITARY P/N AND CLASS
NOT CERTIFIED	NOT APPLICABLE

△ STAMP AMP 16-14\* APPROX AS SHOWN



AMP INCORPORATED  
 CUSTOMER SERVICE SYSTEMS

MAX RECOMMENDED OPERATING TEMPERATURE: 170°C MAX

DO NOT SCALE PRINT. UNLESS SPECIFIED DIMENSIONS IN INCHES—TOLERANCES ON: 3 PLG DEC ± ANGLES ± MATERIAL

DR 2-17-93 TA BRINKMAN  
 CHK 2-17-93 DA PATTERSON  
 APPD 2-17-93 DE MILLER  
 APPD 2-17-93 JL HECKLEY  
 PRODUCT SPEC

**AMP**  
 AMP Incorporated  
 Harrisburg, PA 17105-3508

FOR ADDITIONAL PRODUCT INFORMATION OR COPIES OF DRAWINGS AND TECHNICAL DOCUMENTS  
 1-800-522-6752

VOLTAGE RATING: NOT APPLICABLE

FINISH TIN PLATE  
 0.00254 [L.000100] MIN THK PER MIL-T-10727

NAME  
 TERMINAL, SPADE TONGUE, BUDGET

31706  
 PART NO

FOR APPLICATION TOOLING INFORMATION  
 1-800-722-1111

WIRE CROSS SECTIONAL AREA RANGE: 1.04-2.62mm² [2,050-5,180] CIR MILS STRANDED

SCALE 10:1

DR 2-17-93 TA BRINKMAN  
 CHK 2-17-93 DA PATTERSON  
 APPD 2-17-93 DE MILLER  
 APPD 2-17-93 JL HECKLEY  
 PRODUCT SPEC

AMP Incorporated  
 Harrisburg, PA 17105-3508

# Mouser Electronics

Authorized Distributor

Click to View Pricing, Inventory, Delivery & Lifecycle Information:

[TE Connectivity:](#)

[31706](#)