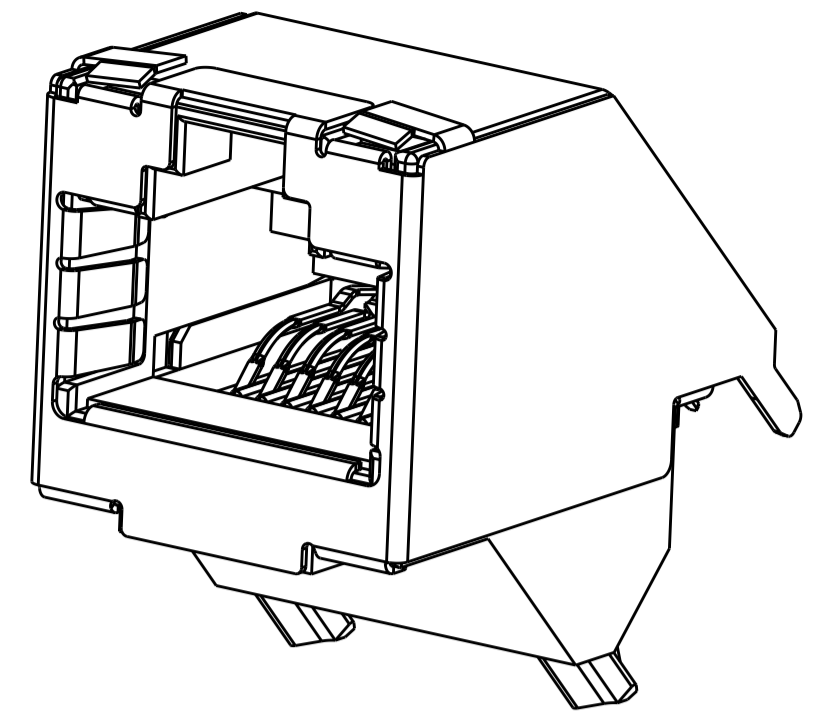
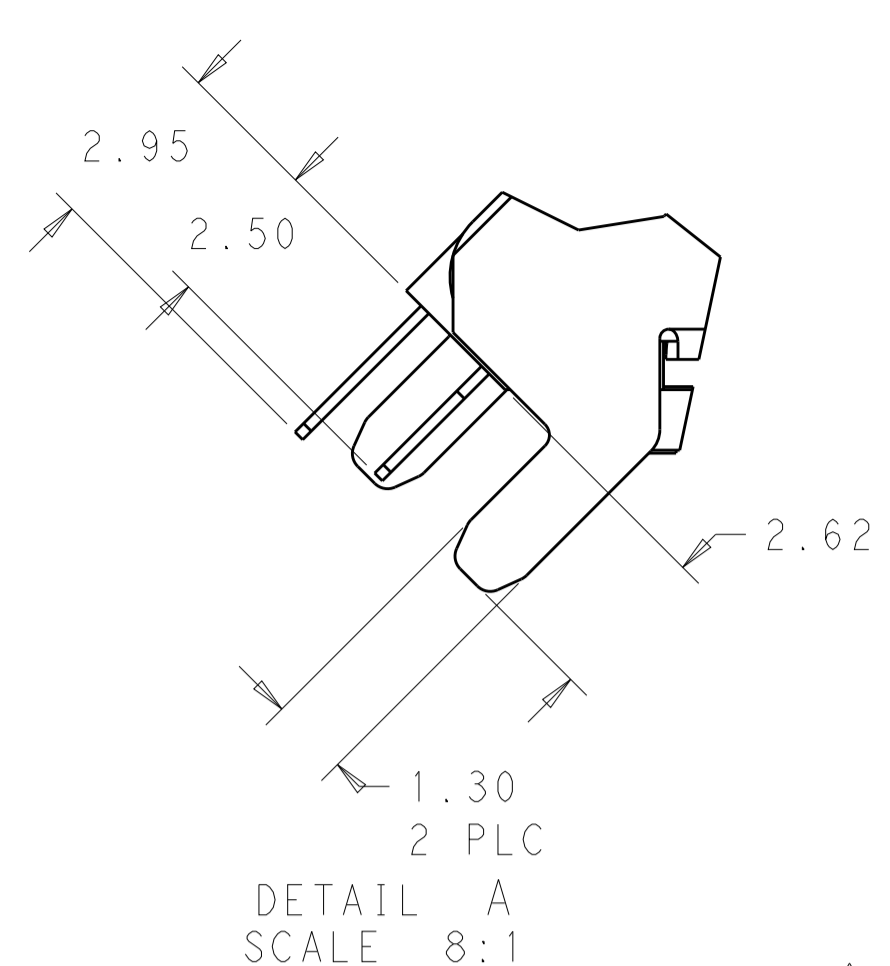
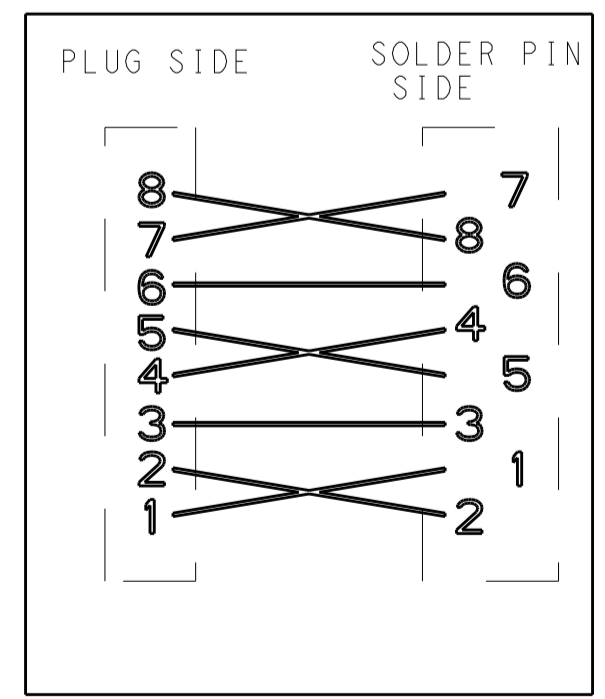
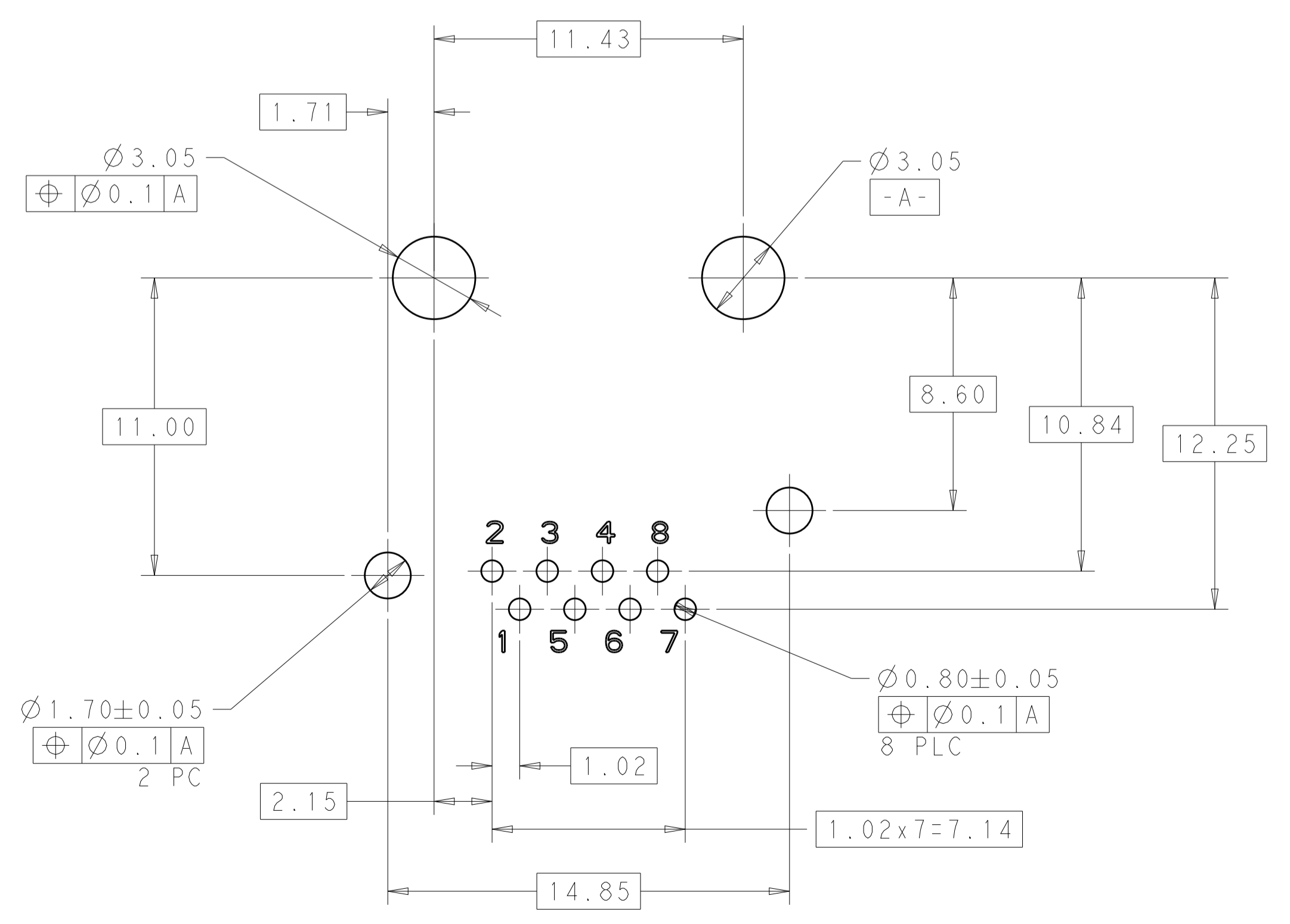
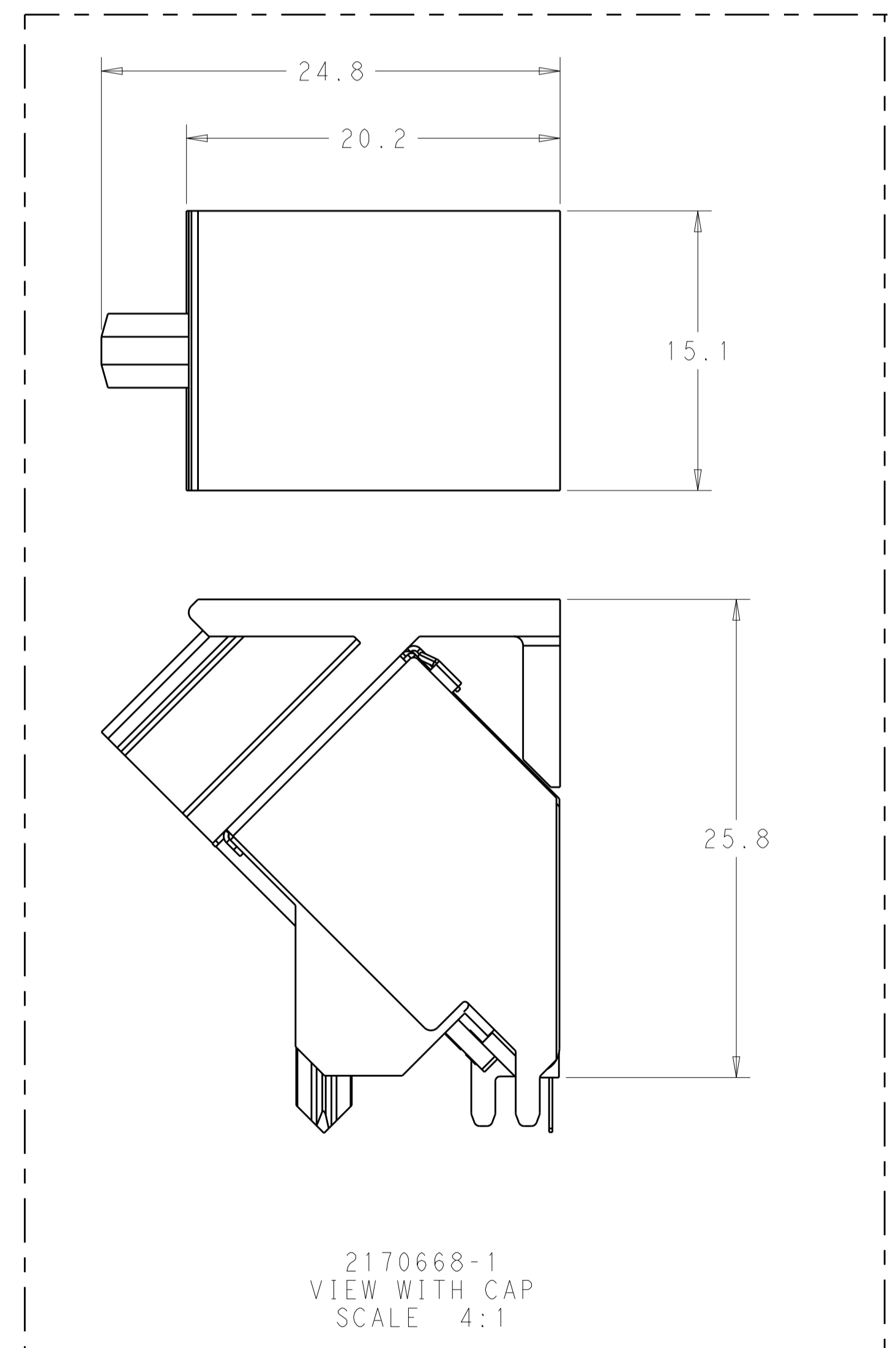
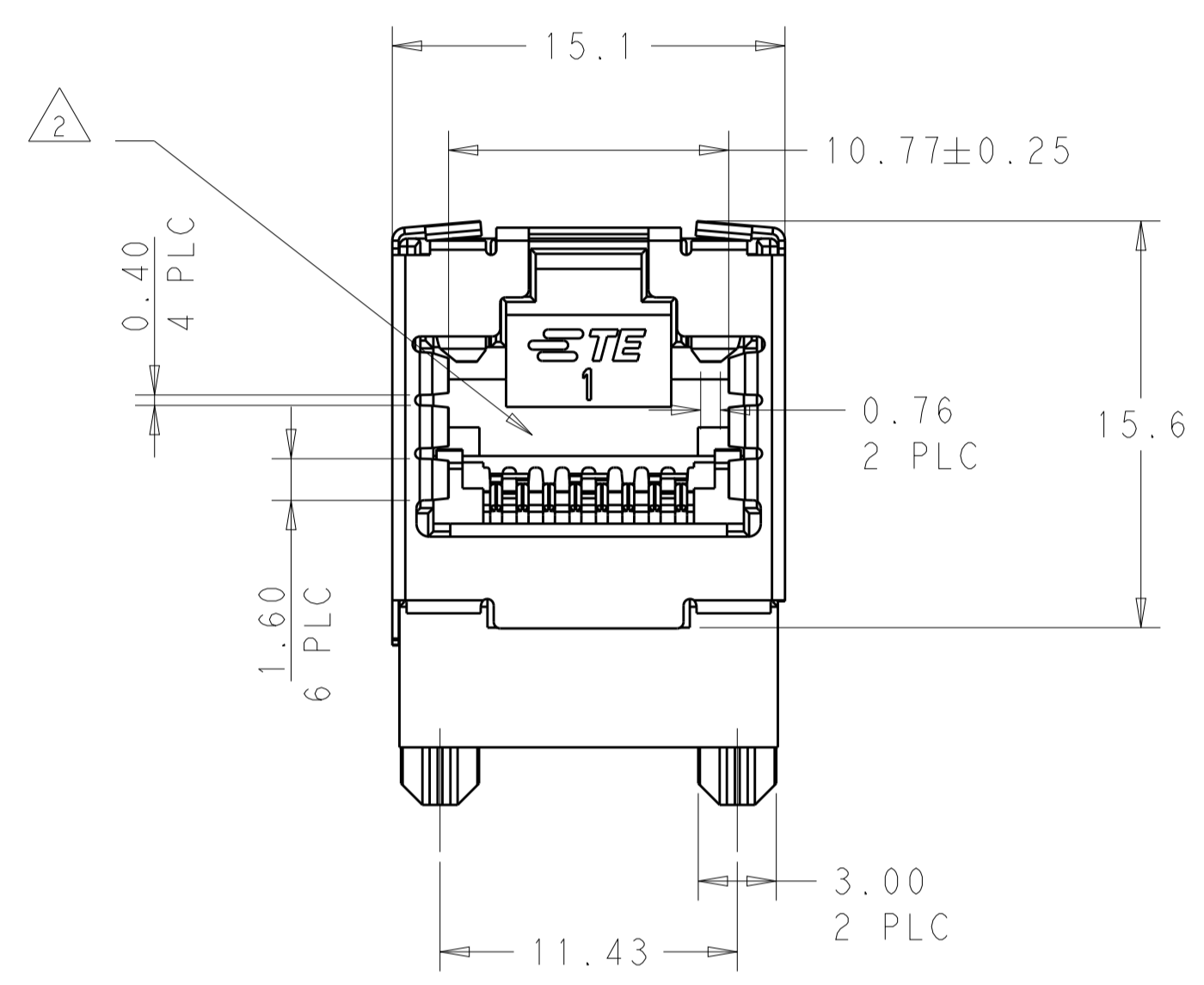
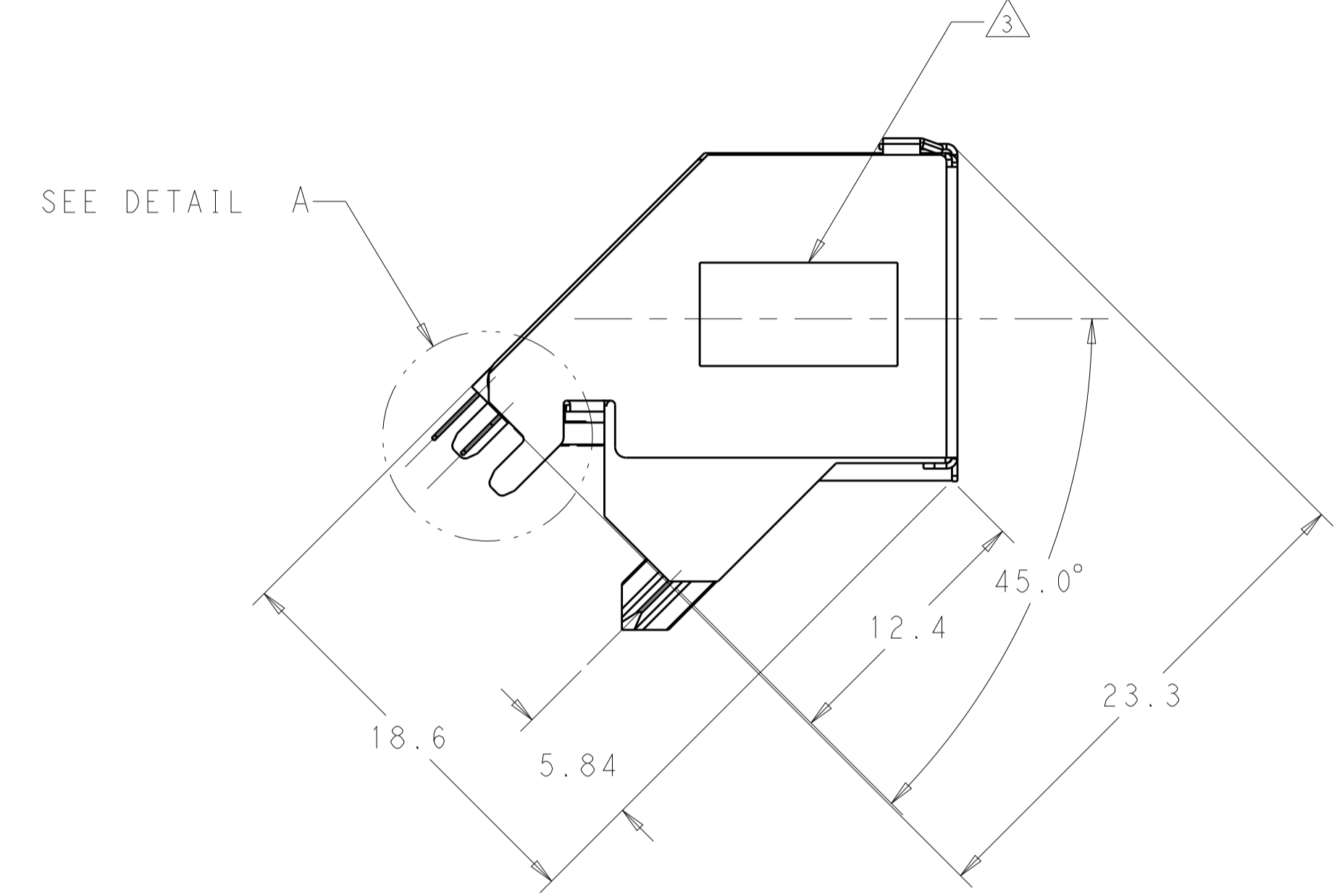


REVISIONS				
P.	LTH	DESCRIPTION	DATE	DWN APVD
A		ECO-15-007308	14MAY2015	LL SH



- △ MATERIAL: HOUSING - HIGH TEMPERATURE THERMOPLASTIC, BLACK, UL 94V-0, IR REFLOW SOLDERING PROCESS COMPATIBLE.  
 TERMINALS - 0.18MM THICK PHOSPHOR BRONZE PLATED WITH 3.81µm MINIMUM THICK MATTE TIN IN SOLDER AREA, 0.76µm MINIMUM GOLD IN LOCALIZED PLATE AREA.  
 ENTIRE TERMINAL PLATED WITH 1.27µm[.000050] MINIMUM THICK NICKEL.  
 SHIELD - 0.25MM MIN THICK COPPER ALLOY, PREPLATED WITH 1.27µm THICK NICKEL AND 2.03µm MINIMUM HOT TIN DIP ON PCB GROUND TABS.  
 COMPENSATION PCB - FR-4.
- △ JACK CAVITY CONFORMS TO FCC RULES AND REGULATIONS PART 68, SUBPART F.
- △ PART NUMBER, DATE CODE TO BE MARKED IN APPROXIMATE LOCATION SHOWN.
- 4. FOR CAT6 APPLICATION, THE PART ITSELF CAN NOT MEET CAT6 PERFORMANCE, NECESSARY COMPENSATION ON CUSTOMER PCB IS MANDATORY.
- △ WITHOUT THE CAP.



SUGGESTED PC BOARD LAYOUT.  
 COMPONENT SIDE  
 TOLERANCE: ±0.05

△	ESD TRAY	2170668-2
△	ESD TRAY	2170668-1
△	MATERIAL	PACKAGE
△		PART NUMBER

THIS DRAWING IS A CONTROLLED DOCUMENT.		DWN: LEO LI 25MAY2014	TE Connectivity	
DIMENSIONS: mm		CHK: SEAN HAN 25MAY2014	NAME: ANGLED ENTRY JACK, SHIELDED RJ45, FOR CAT6 APPLICATION	
TOLERANCES UNLESS OTHERWISE SPECIFIED:		APVD: SEAN HAN 25MAY2014	SIZE: A1	
0 PLC ±	1 PLC ±0.25	PRODUCT SPEC	RESTRICTED TO	
2 PLC ±0.13	3 PLC ±	APPLICATION SPEC	Customer Drawing	
4 PLC ±	ANGLES ±	WEIGHT	SCALE: 2:1 SHEET 1 OF 1 REV A	
MATERIAL	FINISH		C=2170668	