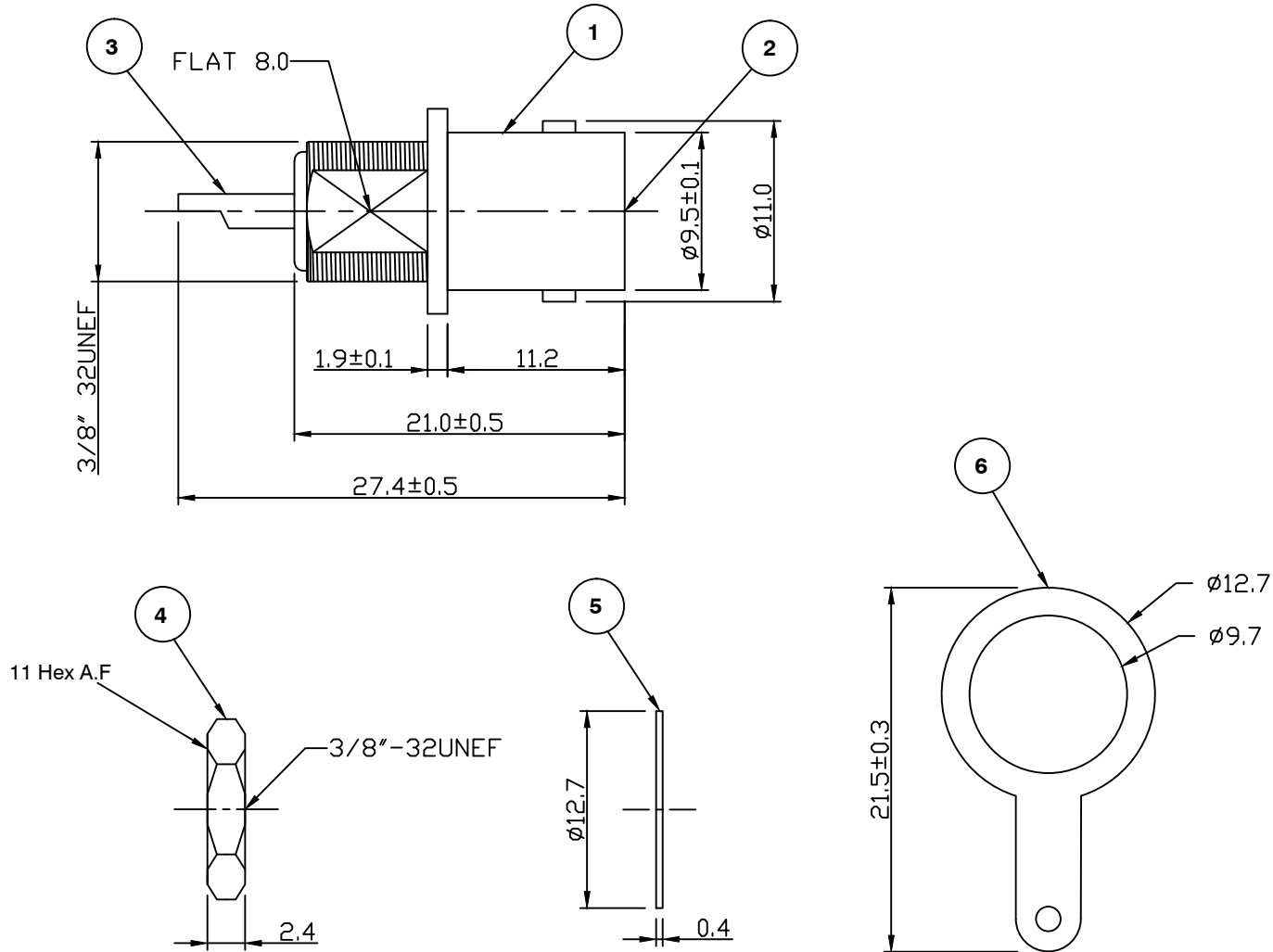


RoHS COMPLIANT



**Electrical Characteristics**

Nominal Impedance:	50 ohms
Frequency Range:	DC to 4 GHz
Insertion Loss:	0.2 dB at 3 GHz
Operating Voltage (rms):	500 V maximum at sea level
Dielectric Withstand Voltage (rms):	1500 V maximum at sea level
Contact Resistance:	1.5 milliohms maximum
Insulation Resistance:	5000 megohms minimum

**Mechanical Characteristics**

Mating Cycles:	500 cycles minimum
Interface Dimensions:	Conform to MIL-C-39012

**Environmental Characteristics**

Temperature Range:	-45 °C to +85 °C
--------------------	------------------

PART	DESCRIPTION
1	Body Zinc, nickel plated
2	Dielectric POM
3	Pin P-Bronze, gold plated
4	Nut Zinc, nickel plated
5	Washer Iron, nickel plated
6	Solder Tag Brass, nickel plated

DESCRIPTION OF REVISION	APPVD	ISS	DATE
D17509 - Dimensions Update	MS	7	09 Nov 21
Dielectric extension deleted	MS	6	12 Sep 11
Dimensional update on Solder Tag	JT	5	26 April 10
Body Material Brass	MS	4	24 Aug 09
CAD Issue	SN	3	06 Nov 01
Machined Contact	AT	2	09 June 94
First Issue	IS	1	16 July 93



CINCH CONNECTIVITY SOLUTIONS  
11 Bilton Road,  
Chelmsford, Essex,  
CM1 2UP, UK.  
Tel: +44 (0) 1245 359515  
Fax: +44 (0) 1245 358938

SCALE: Not To Scale

DIMENSIONS: mm

TOLERANCES:  
 $\pm 0.2$ mm unless  
otherwise stated

DRAWN BY:	S Nash
CHECKED BY:	M Nielsen
APPROVED BY:	P Couzens
DATE:	06 Nov 01

TITLE:  
**BNC Panel Mount Jack**

PART NUMBER:  
**VB1094**

PAGE: 1 of 1

# Mouser Electronics

Authorized Distributor

Click to View Pricing, Inventory, Delivery & Lifecycle Information:

[Cinch Connectivity Solutions:](#)

[VB1094](#)