

5

4

3

2

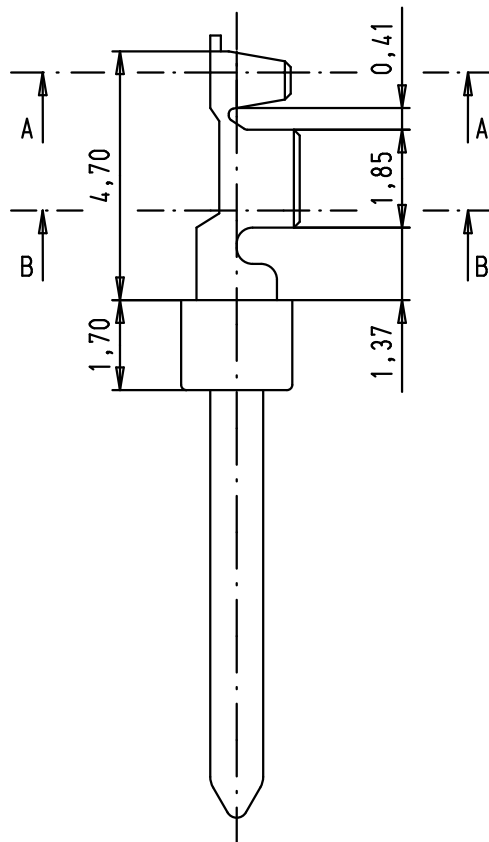
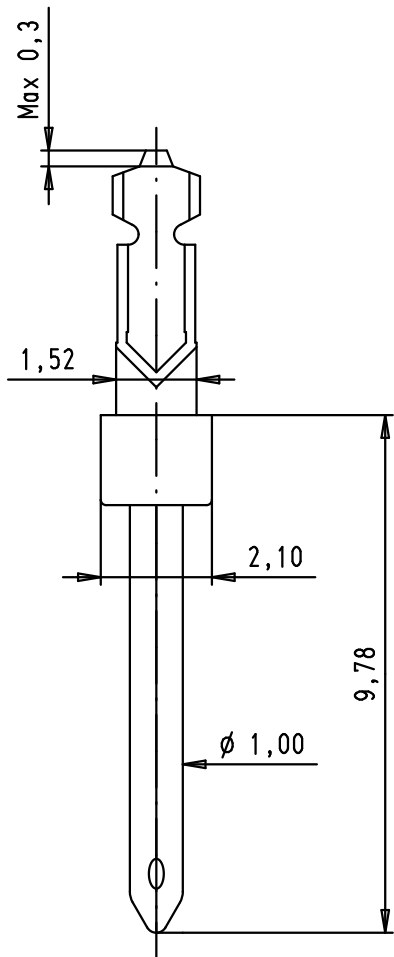
1

D

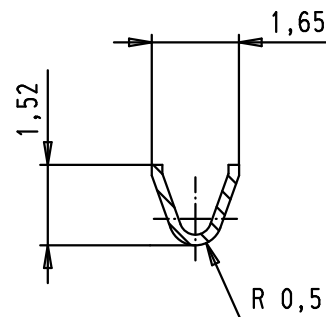
C

B

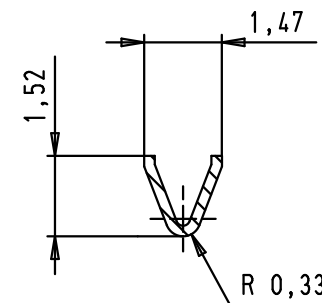
A



Section A-A

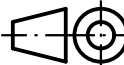



Section B-B



Base material: brass
 Plating: sliding contact selective gold plated over nickel
 nickel plated crimp area
 Number of contacts per bag: 500

09 67 000 7178	PL2
09 67 000 7177	PL3
09 67 000 7176	PL1
Part number	Performance level

				Dot.	Name	 All Dim. in mm Orig. Size DIN A 4
			Detail.	24/03/03	PP	
			Insp.			
			Stand.			
33937	01/03/07	PK	HARTING EURL F-95972 Paris			
32716	18/02/05	AL	Mod.	Dot.	Name	
31475	24/03/03	PP				

D-Sub, stamped male
 AWG 24-28 crimp contact,
 bag packaging

Maßstab/
 Scale
 7:1

TB 09 67 000 717X

Blatt/ Page
 1 / 1

Sub.