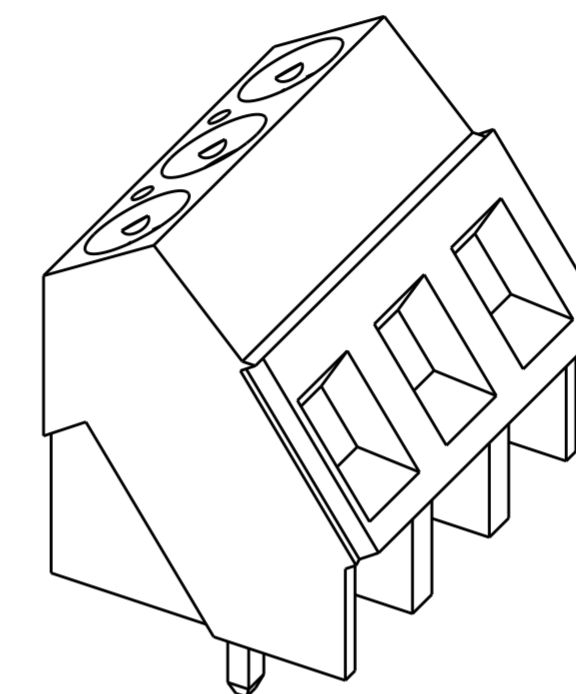
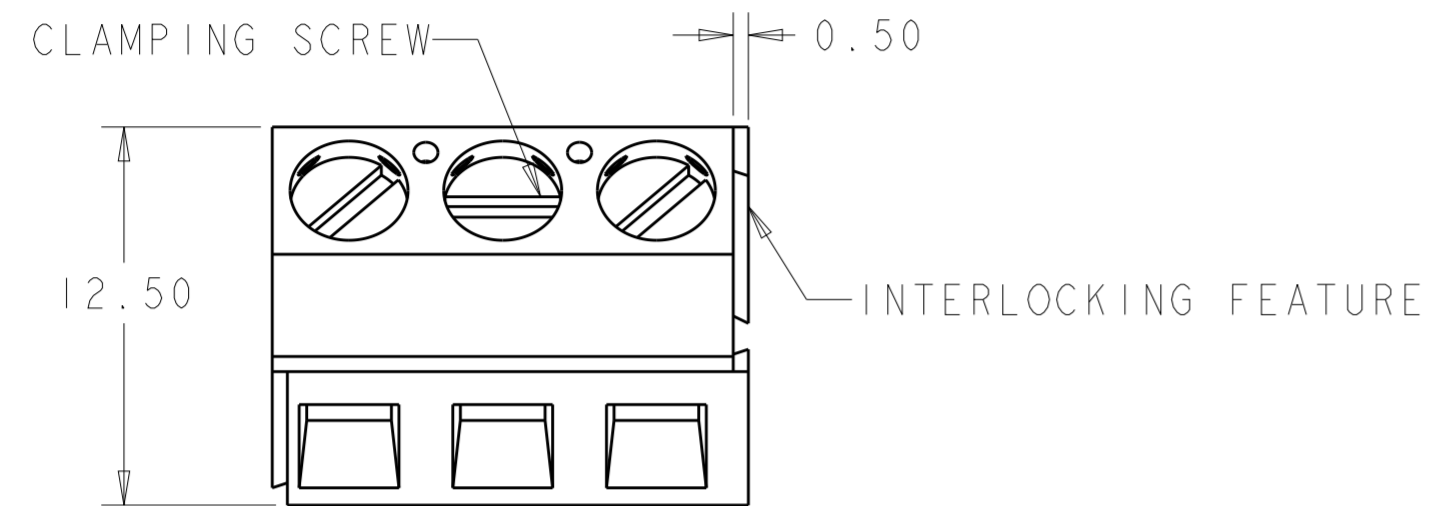
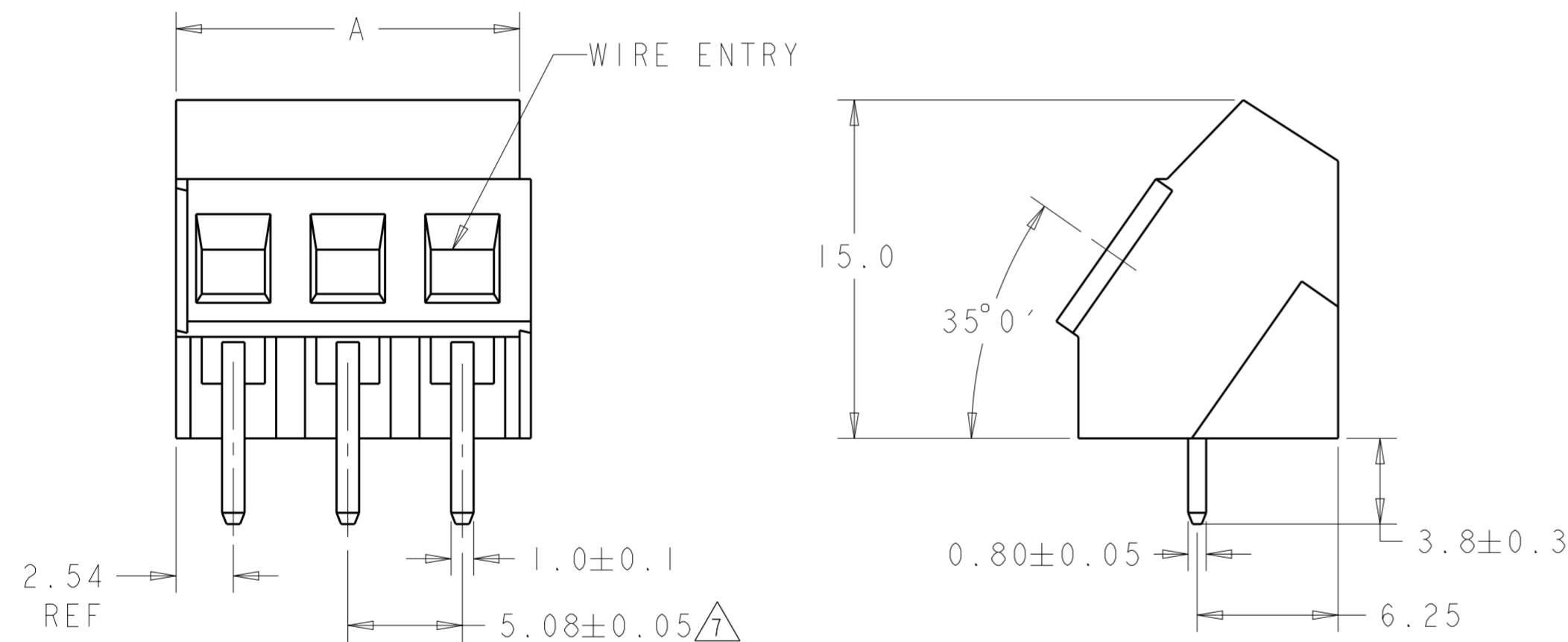


REVISIONS					
P	LTR	DESCRIPTION	DATE	DWN	APVD
D4		PART STATUS UPDATED	11JAN2018	RK	PS
D5		2-282847-5 PART OBSOLETE	30AUG2020	DV	PS

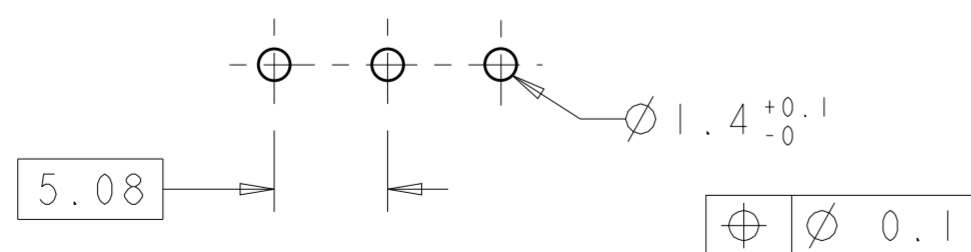


-3 AS SHOWN



COLOR	DIM. A	MARKING	COMPOSITION	NO POS.	PART NUMBER
GREEN	15.24	9 1, 2, 3	-	3	2-282847-5
ORANGE	15.24	-	-	3	2-282847-3
	45.72	9 SEE SHEET 2	3+3+3 pos.	9	1-282847-4
	66.04	9 SEE SHEET 2	2+2+3+3+3 pos.	13	1-282847-3
	60.96	-	3+3+3+3 pos.	12	1-282847-2
	55.88	-	3+3+3+2 pos.	11	1-282847-1
	50.80	-	3+3+2+2 pos.	10	1-282847-0
GREEN	45.72	-	3+3+3 pos.	9	282847-9
	40.64	-	3+3+2 pos.	8	282847-8
	35.56	-	3+2+2 pos.	7	282847-7
	30.48	-	3+3 pos.	6	282847-6
	25.40	-	3+2 pos.	5	282847-5
	20.32	-	2+2 pos.	4	282847-4
	15.24	-	-	3	282847-3
	10.16	-	-	2	282847-2

RECOMMENDED PC BOARD LAYOUT



THIS DRAWING IS A CONTROLLED DOCUMENT.

DWN: E. ZANOLINI (SMAR2001)
 CHK: D. BIEVENOUR (SMAR2001)
 APVD: D. BIEVENOUR (SMAR2001)

STE TE Connectivity

NAME: TERMINAL BLOCK, PCB MOUNT
 ANGLED ENTRY WIRE, STACKING
 W/ INTERLOCK, 5.08mm, PITCH

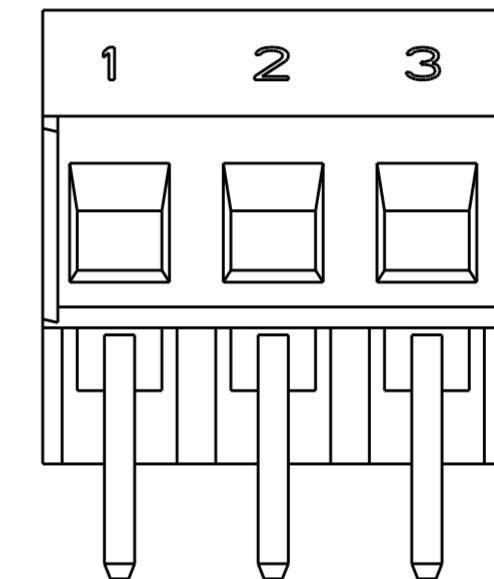
PRODUCT SPEC: -
 APPLICATION SPEC: -
 WEIGHT: -

SIZE: A2 CAGE CODE: 00779 DRAWING NO: C-282847 RESTRICTED TO: -

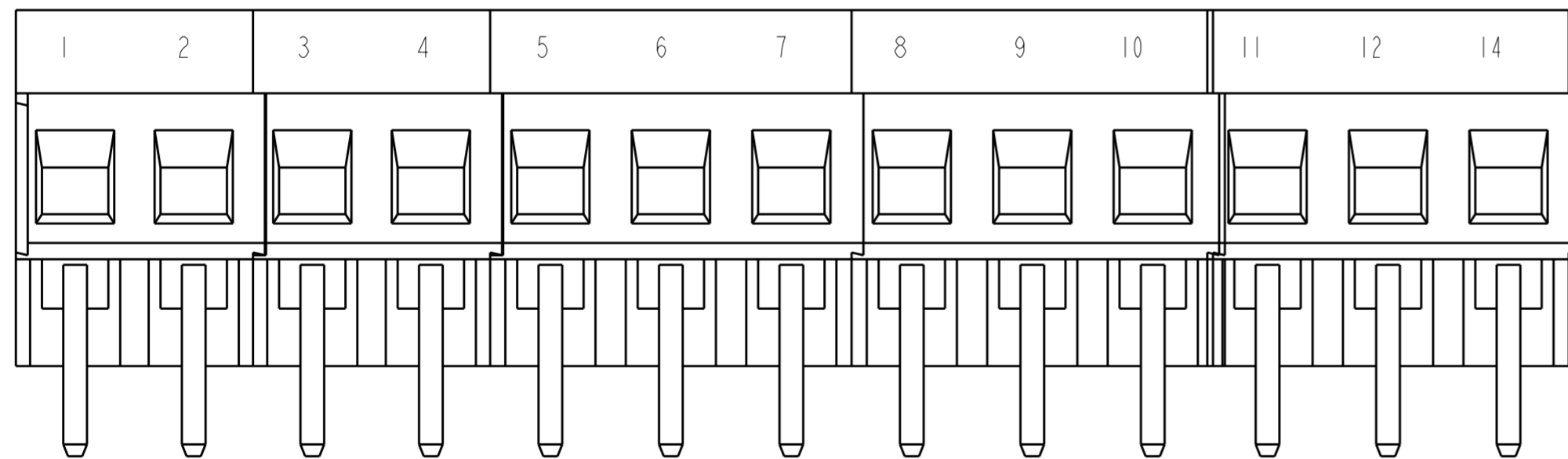
CUSTOMER DRAWING SCALE: 4:1 SHEET: 1 OF 2 REV: D5

P	LTR	DESCRIPTION	DATE	DWN	APVD
-		SEE SHEET 1	-	-	-

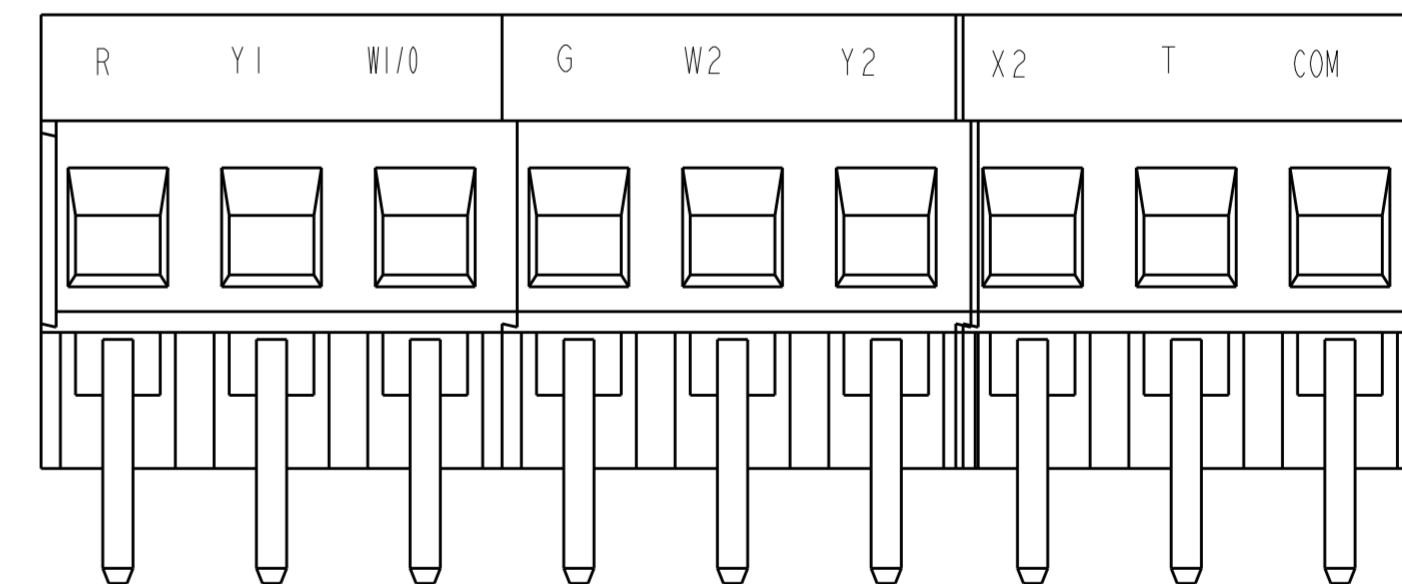
- 1 MATERIALS AND FINISH:
HOUSING: PA 6-6, UL 94-V0, COLOR: SEE TABLE.
CLAMP: BRASS, NICKEL PLATED.
TERMINAL: BRASS, TIN PLATED.
CLAMPING SCREW: M3, BRASS, NICKEL PLATED.
- 2 SUITABLE FOR 1,6-2,4mm PCB THICKNESS.
- 3 END-TO-END STACKABLE W/INTERLOCK, WITHOUT LOSS OF CENTERLINE SPACING.
- 4 WIRE SIZE RANGE:
SOLID WIRE: 0,03-2,5mm² (13AWG)
STRANDED WIRE: 0,03-1,5mm² (15AWG)
- 5 RECOGNIZED UNDER THE COMPONENT PROGRAM OF UNDERWRITERS LABORATORIES INC., FILE NO E60677.
- 6 IMQ CERTIFICATE WITH SURVEILLANCE IN CONFORMITY WITH IEC 998-1/998-2-1.
- 7 NOT CUMULATIVE TOLERANCE.
- 8 P/NS OBTAINED BY GLUING AND ASSEMBLYING TOGETHER LISTED CONNECTORS.
- 9 INK MARKING, BLACK COLOR



P/N 2-282847-5 AS SHOWN



P/N ~~1-282847-3~~ AS SHOWN
OBSOLETE



P/N ~~1-282847-4~~ AS SHOWN
OBSOLETE

THIS DRAWING IS A CONTROLLED DOCUMENT.		DWN E. ZANOLINI	15MAR2001		TE Connectivity
DIMENSIONS: mm		CHK D. BIEVENOUR	15MAR2001		
TOLERANCES UNLESS OTHERWISE SPECIFIED:		APVD D. BIEVENOUR	15MAR2001		
0 PLC ±- 1 PLC ±.3 2 PLC ±.25 3 PLC ±- 4 PLC ±- ANGLES ±2 FINISH		PRODUCT SPEC	-		
MATERIAL		APPLICATION SPEC	-		NAME TERMINAL BLOCK, PCB MOUNT ANGLED ENTRY WIRE, STACKING W/ INTERLOCK, 5.08mm, PITCH
		WEIGHT	-		SIZE A200779
		CUSTOMER DRAWING	SCALE 4:1		DRAWING NO C-282847
			SHEET 2 OF 2		RESTRICTED TO REV D5

Mouser Electronics

Authorized Distributor

Click to View Pricing, Inventory, Delivery & Lifecycle Information:

[TE Connectivity:](#)

[282847-3](#)