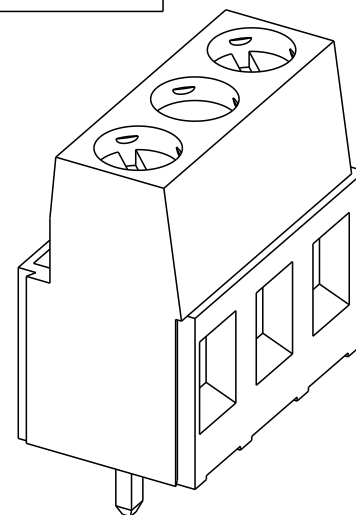
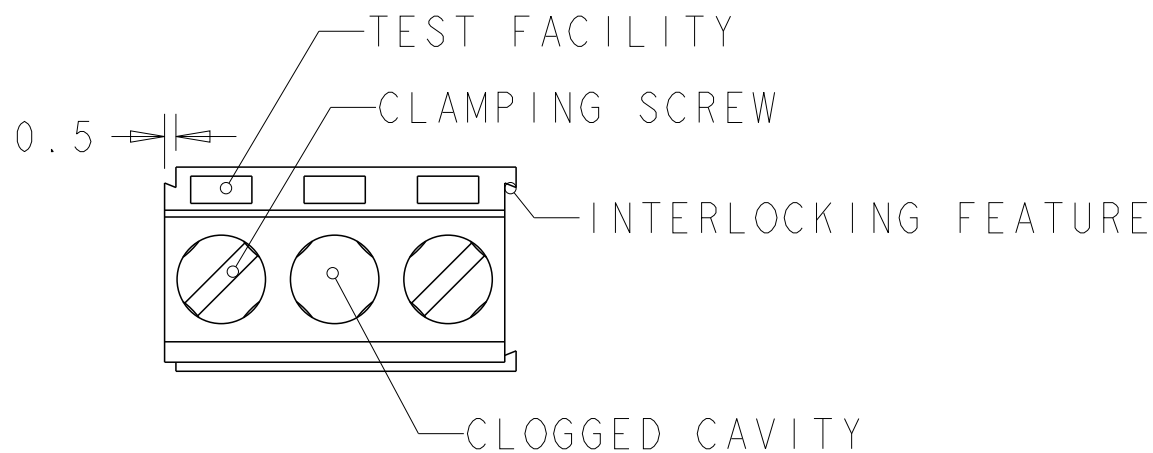


REVISIONS

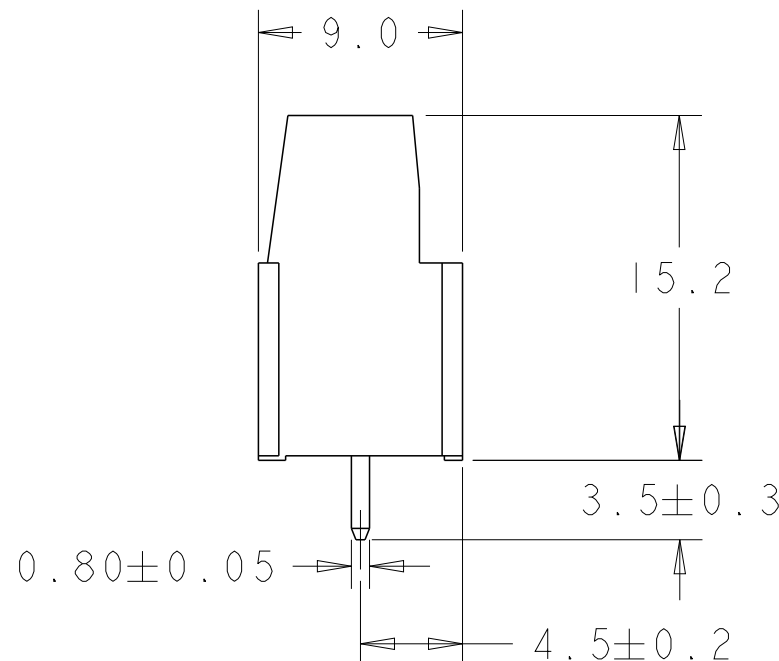
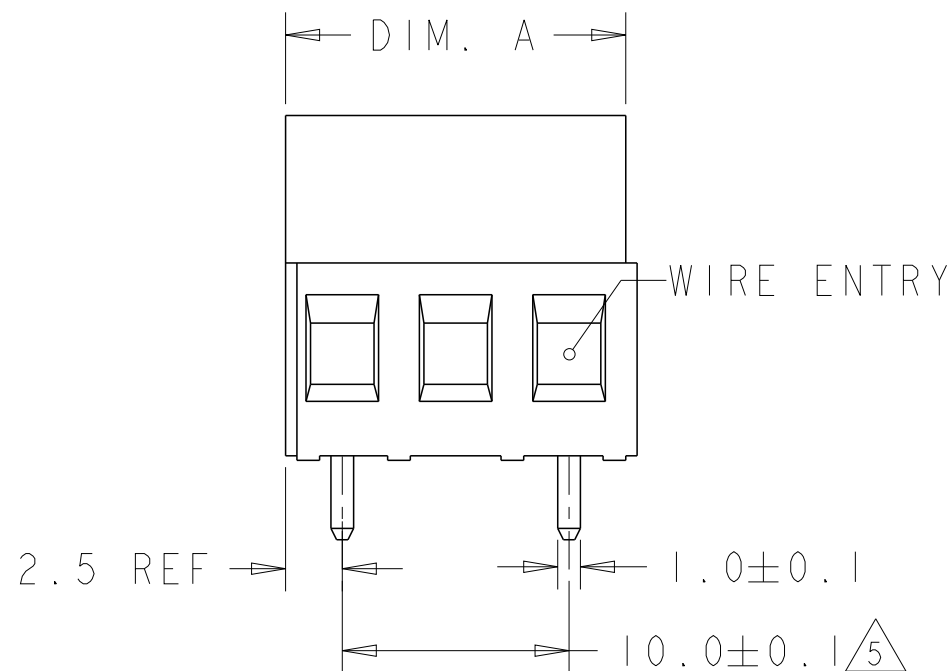
P	LTR	DESCRIPTION	DATE	DWN	APVD
	D1	WIRE SIZE CORRECTED	31OCT2018	RK	PS



282842-2 AS SHOWN

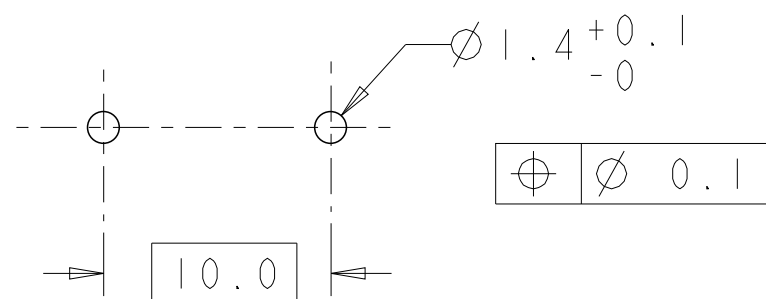
- MATERIALS AND FINISH**
 HOUSING: PA 6-6, UL 94-V0, COLOR GREEN.
 CLAMP: BRASS, NICKEL PLATED.
 TERMINAL: BRASS, TIN PLATED.
 CLAMPING SCREW: M3, BRASS, NICKEL PLATED.
- MECHANICAL**
 MIN. PC BOARD HOLES DIAMETER : 1.4 mm
 MAX. PC BOARD THICKNESS : 2.4 mm
 RECOMMENDED TIGHTENING TORQUE FOR SCREW : 0.5 Nm.
- ELECTRICAL**
 WIRE RANGE : 12-30 AWG
 MAX. VOLTAGE : 600 V
 MAX CURRENT : 17.5 A
 CONTACT RESISTANCE : <15 m Ohm
 INSULATION RESISTANCE : >1000 M Ohm (500V DC)
- OPERATING TEMPERATURE RANGE: -40°C TO +105°C**


5 NOT CUMULATIVE TOLERANCE.



OBSOLETE	90.0	13	1-282482-3
	85.0	12	1-282842-2
	80.0	11	1-282842-1
	75.0	10	1-282842-0
	70.0	9	282842-9
	65.0	8	282842-8
	60.0	7	282842-7
	55.0	6	282842-6
	45.0	5	282842-5
	35.0	4	282842-4
25.0	3	282842-3	
15.0	2	282842-2	
DIM. A		NO OF POS.	PART NUMBER

RECOMMENDED PC BOARD LAYOUT



THIS DRAWING IS A CONTROLLED DOCUMENT.		DWN 04SEP2001 E. ZANOLINI	 TE Connectivity	
DIMENSIONS: mm		CHK 04SEP2001 D. BIEVENOUR		
TOLERANCES UNLESS OTHERWISE SPECIFIED:		APVD 04SEP2001 D. BIEVENOUR	NAME TERMINAL BLOCK, PCB MOUNT SIDE ENTRY WIRE 10.00mm PITCH	
0 PLC ± 1 PLC ±.3 2 PLC ±.25 3 PLC ± 4 PLC ±		PRODUCT SPEC 108-20166	SIZE A3	
ANGLES ±2°		APPLICATION SPEC 114-20079	CAGE CODE 00779	DRAWING NO C-282842
FINISH SEE NOTES		WEIGHT -	RESTRICTED TO -	
MATERIAL SEE NOTES		CUSTOMER DRAWING		SCALE 3:1
		SHEET 1 OF 1		REV D1

Mouser Electronics

Authorized Distributor

Click to View Pricing, Inventory, Delivery & Lifecycle Information:

[TE Connectivity:](#)

[282842-2](#)