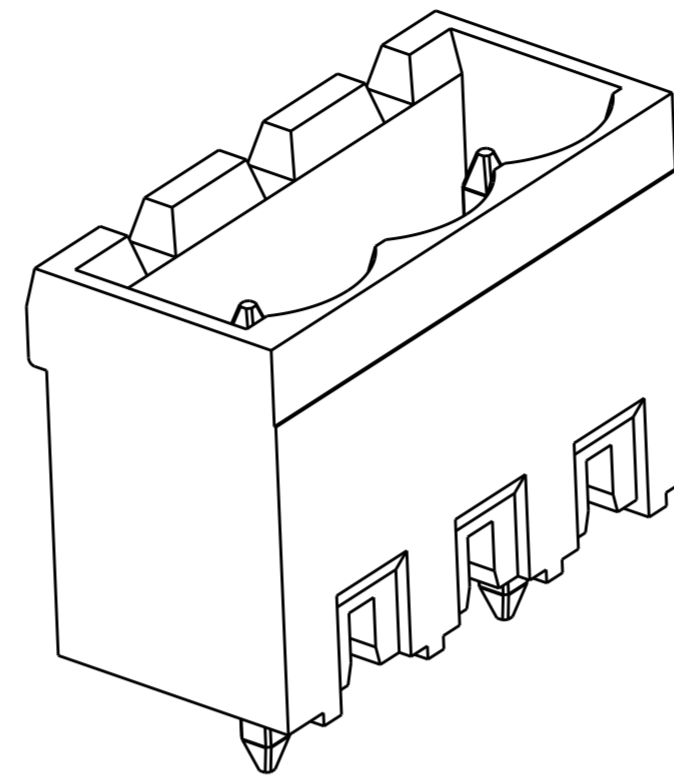
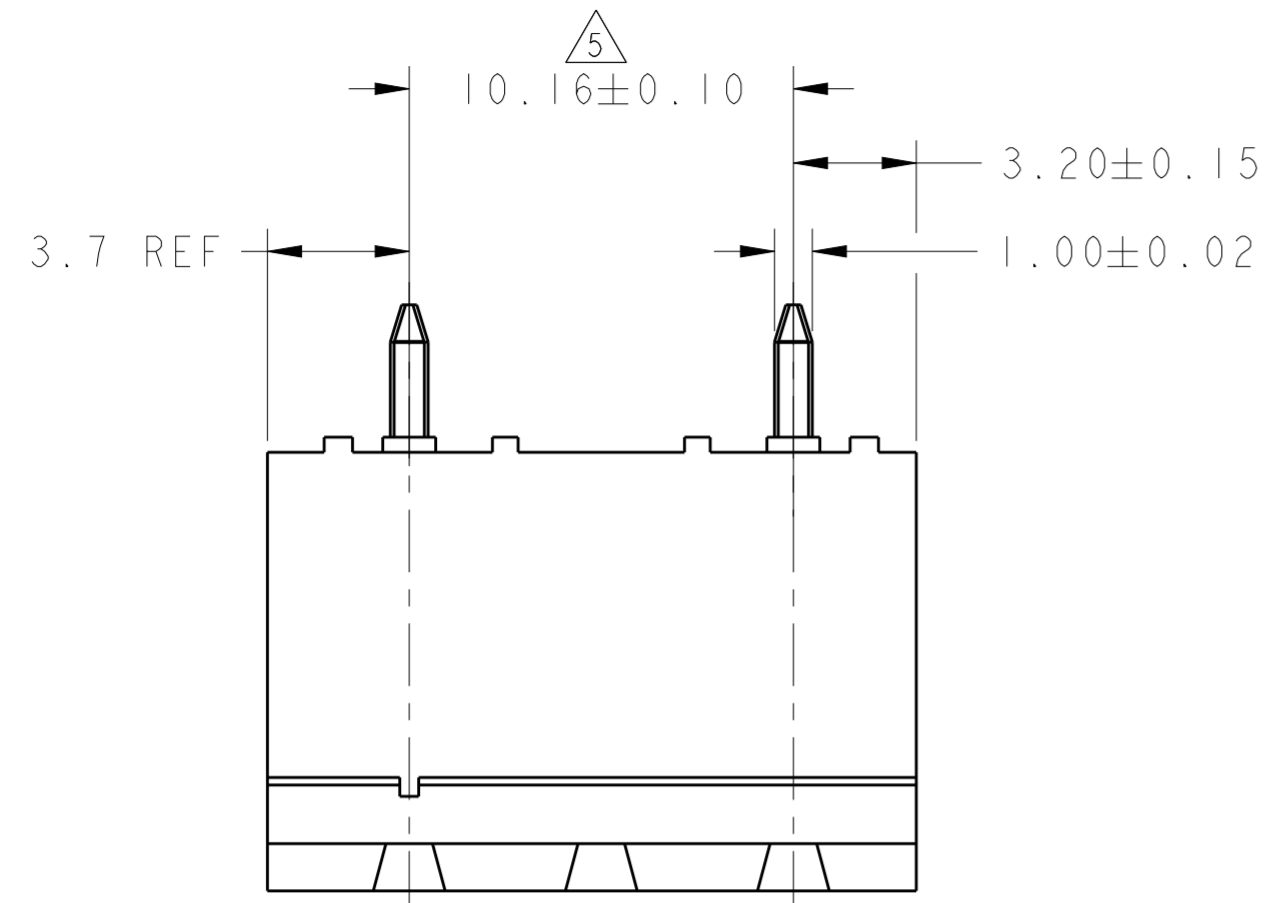


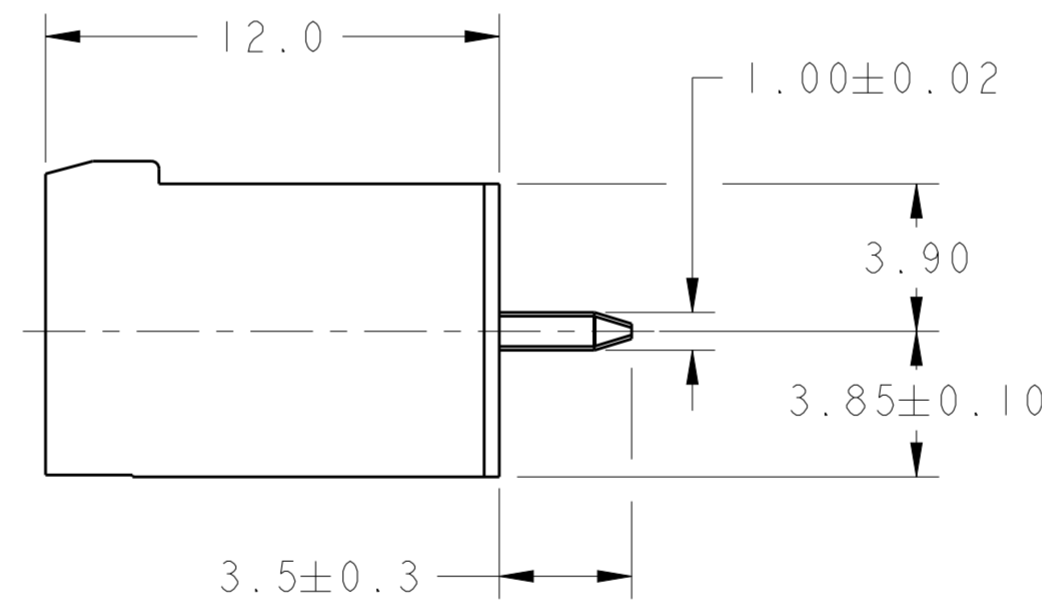
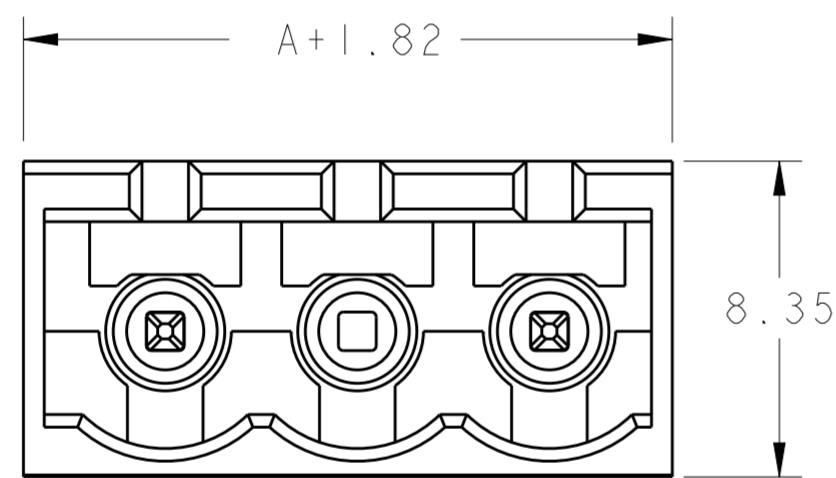
REVISIONS				
P	LTR	DESCRIPTION	DATE	APVD
D4		STAND OFF FEATURE MODIFIED AT BOTH THE END	03MAR2020	SS PS



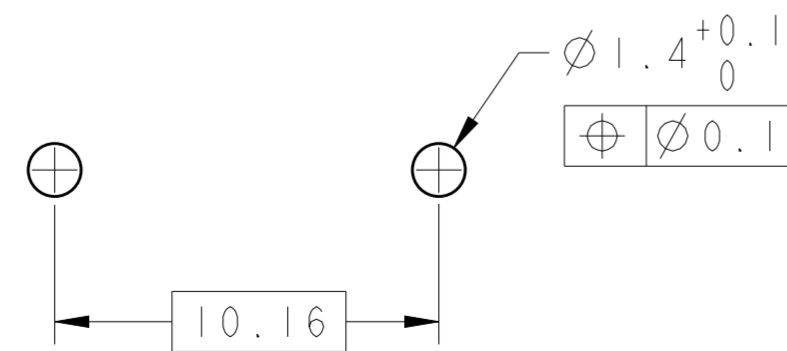
282828-2 AS SHOWN

- MATERIAL AND FINISH:
HOUSING : PA 66, UL 94-V0, COLOR: SEE TABLE
TERMINAL : COPPER ALLOY, FINISH: SEE TABLE
- MECHANICAL
MIN. PC BOARD HOLES DIAMETER : 1.4 mm
MAX. PC BOARD THICKNESS : 2.4 mm
- ELECTRICAL
MAX. VOLTAGE : 600 V
MAX CURRENT : 15 A
CONTACT RESISTANCE : <15 m Ohm
INSULATION RESISTANCE : >1000 M Ohm (500V DC)
- OPERATING TEMPERATURE RANGE: -40°C TO +105°C

△ NOT CUMULATIVE TOLERANCE.



BLACK	TIN PLATED	35.56 ^{+0.25} _{-0.15}	4	2-282828-4	
GREEN	0.00076 GOLD PLATED	15.24 ^{+0.20} _{-0.10}	2	1-282828-4	
GREEN	TIN PLATED	127.00 ^{+0.40} _{-0.25}	13	1-282828-3	
GREEN		116.84 ^{+0.40} _{-0.25}	12	1-282828-2	
GREEN		106.68 ^{+0.40} _{-0.25}	11	1-282828-1	
GREEN		96.52 ^{+0.40} _{-0.25}	10	1-282828-0	
GREEN		86.36 ^{+0.35} _{-0.25}	9	282828-9	
GREEN		76.20 ^{+0.35} _{-0.25}	8	282828-8	
GREEN		66.04 ^{+0.35} _{-0.20}	7	282828-7	
GREEN		55.88 ^{+0.30} _{-0.20}	6	282828-6	
GREEN		45.72 ^{+0.30} _{-0.20}	5	282828-5	
GREEN		35.56 ^{+0.50} _{-0.15}	4	282828-4	
GREEN		25.40 ^{+0.25} _{-0.15}	3	282828-3	
GREEN		15.24 ^{+0.20} _{-0.10}	2	282828-2	
HOUSING COLOR		CONTACT FINISH	A	NO OF POSN	PART NUMBER



RECOMMENDED PC BOARD LAYOUT

THIS DRAWING IS A CONTROLLED DOCUMENT.		DWN E. ZANOLINI 31 JUL 2001	TE Connectivity	
DIMENSIONS: mm		CHK D. BIEVENOUR 31 JUL 2001		
TOLERANCES UNLESS OTHERWISE SPECIFIED:		APVD D. BIEVENOUR 31 JUL 2001	NAME TERMINAL BLOCK HEADER ASSEMBLY 180 DEG CLOSED ENDS 10.16mm PITCH	
0 PLC ± 1 PLC ±0.3 2 PLC ±0.25 3 PLC ± 4 PLC ±		PRODUCT SPEC -	SIZE A200779	
ANGLES ±2°		APPLICATION SPEC -	DRAWING NO C-282828	
FINISH SEE TABLE		WEIGHT -	RESTRICTED TO	
		CUSTOMER DRAWING	SCALE 5:1	SHEET 1 OF 1

Mouser Electronics

Authorized Distributor

Click to View Pricing, Inventory, Delivery & Lifecycle Information:

[TE Connectivity:](#)

[282828-3](#)