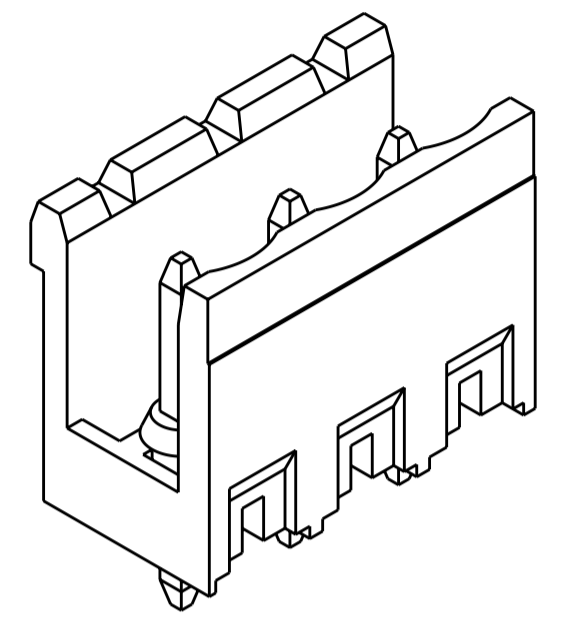
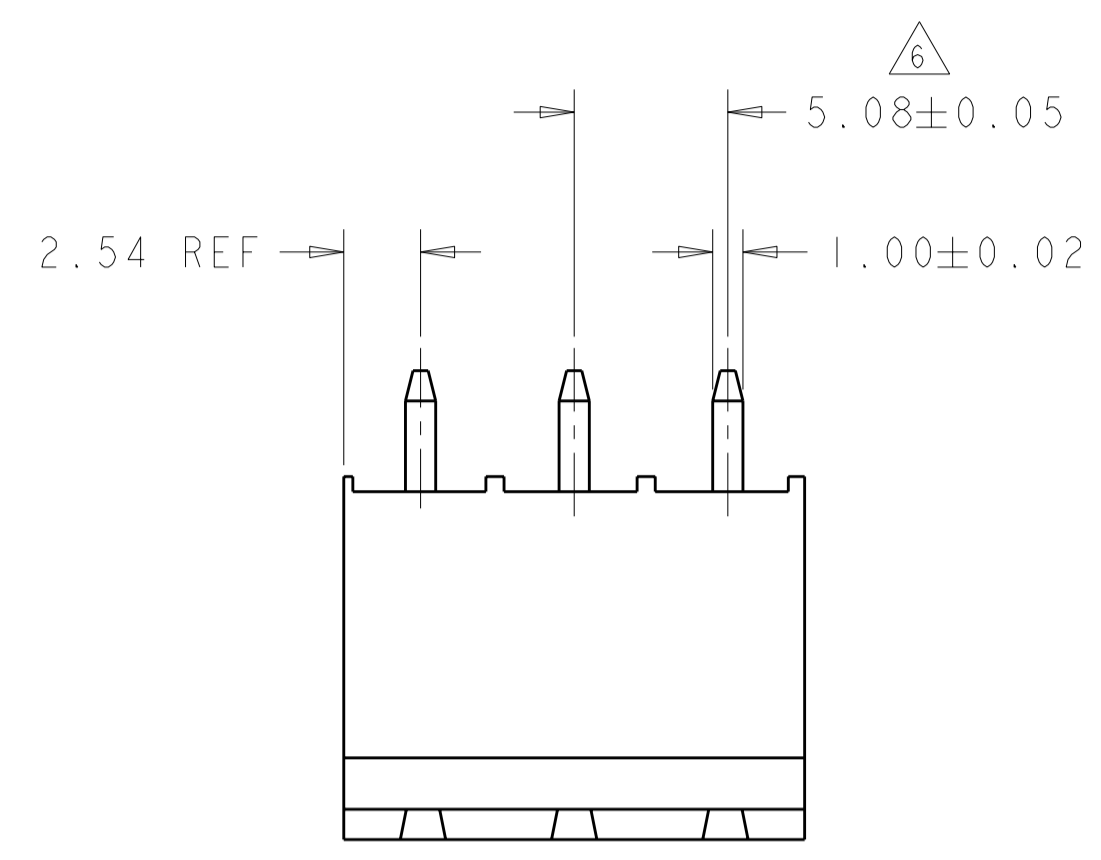


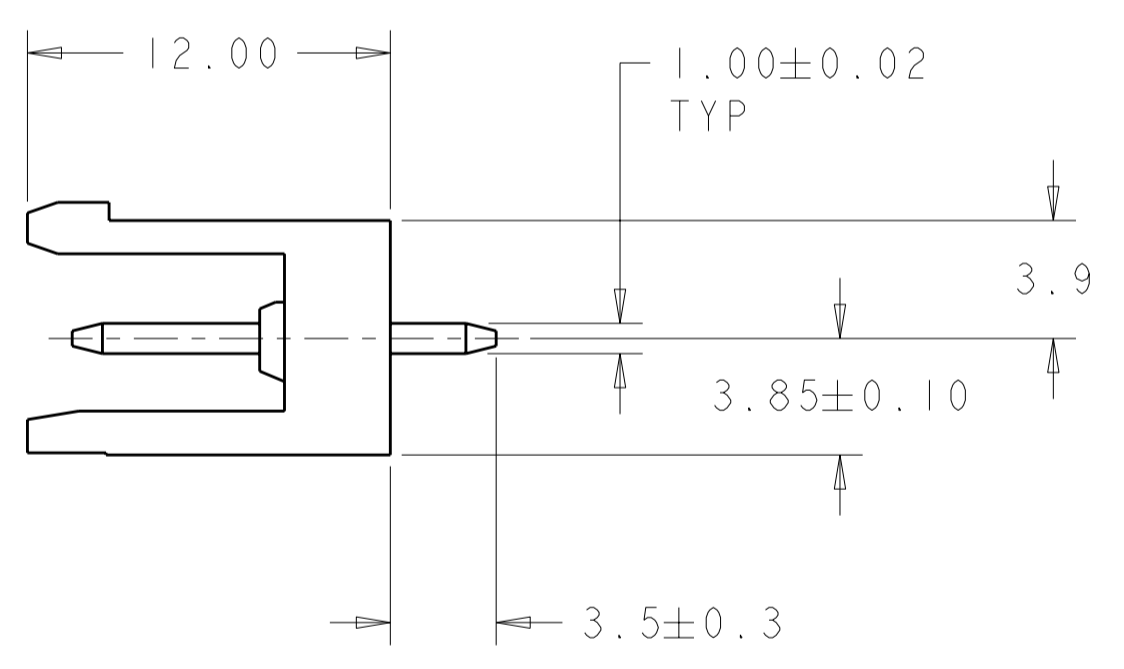
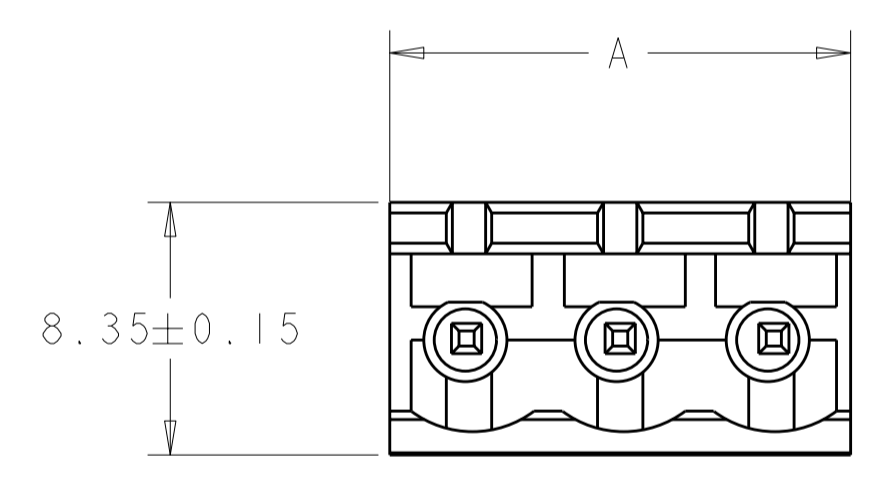
THIS DRAWING IS UNPUBLISHED. RELEASED FOR PUBLICATION 20
 © COPYRIGHT 20 ALL RIGHTS RESERVED.

| LOC | | DIST | | REVISIONS | | | |
|-----|-----|---------------------------|-----------|-----------|------|--|--|
| P | LTR | DESCRIPTION | DATE | DWN | APVD | | |
| | D2 | REVISED PER ECO-12-007964 | 02MAY2012 | KH | MS | | |

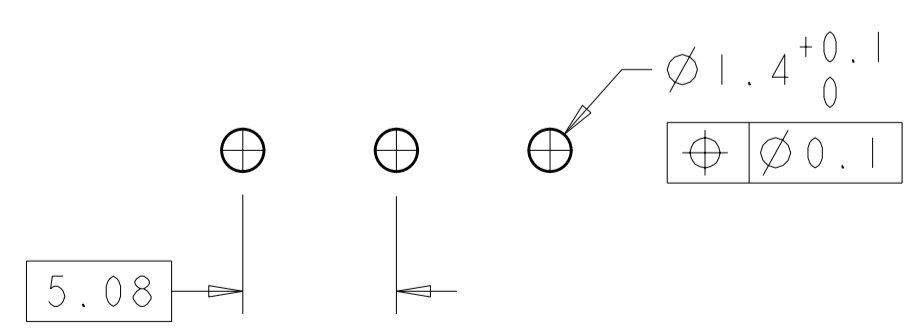


282825-3 AS SHOWN

- △ MATERIALS AND FINISH)
 HOUSING: PA 6-6, UL 94-V0, COLOR GREEN.
 TERMINAL: COPPER ALLOY, FINISH: SEE TABLE.
- SUITABLE FOR 1,6-2,4mm PC BOARD THICKNESS.
 - END-TO-END STACKABLE WITHOUT LOSS OF CENTERLINE SPACING.
 - RECOGNIZED UNDER THE COMPONENT PROGRAM OF UNDERWRITERS LABORATORIES INC. FILE N°E60677.
 - IMQ CERTIFICATE WITH SURVEILLANCE IN CONFORMITY WITH IEC 998-1/998-2-1.
- △ NOT CUMULATIVE TOLERANCE.



| | | | |
|--------------------------|--------|------------|-------------|
| .000008 GOLD OVER NICKEL | 10.16 | 2 | 2-282825-6 |
| TIN PLATED | 127.00 | 25 | 2-282825-5 |
| TIN PLATED | 121.92 | 24 | 2-282825-4 |
| TIN PLATED | 116.84 | 23 | 2-282825-3 |
| TIN PLATED | 111.76 | 22 | 2-282825-2 |
| TIN PLATED | 106.68 | 21 | 2-282825-1 |
| TIN PLATED | 101.60 | 20 | 2-282825-0 |
| TIN PLATED | 96.52 | 19 | 1-282825-9 |
| TIN PLATED | 91.44 | 18 | 1-282825-8 |
| TIN PLATED | 86.36 | 17 | 1-282825-7 |
| TIN PLATED | 81.28 | 16 | 1-282825-6 |
| TIN PLATED | 76.20 | 15 | 1-282825-5 |
| TIN PLATED | 71.12 | 14 | 1-282825-4 |
| TIN PLATED | 66.04 | 13 | 1-282825-3 |
| TIN PLATED | 60.96 | 12 | 1-282825-2 |
| TIN PLATED | 55.88 | 11 | 1-282825-1 |
| TIN PLATED | 50.80 | 10 | 1-282825-0 |
| TIN PLATED | 45.72 | 9 | 282825-9 |
| TIN PLATED | 40.64 | 8 | 282825-8 |
| TIN PLATED | 35.56 | 7 | 282825-7 |
| TIN PLATED | 30.48 | 6 | 282825-6 |
| TIN PLATED | 25.40 | 5 | 282825-5 |
| TIN PLATED | 20.32 | 4 | 282825-4 |
| TIN PLATED | 15.24 | 3 | 282825-3 |
| TIN PLATED | 10.16 | 2 | 282825-2 |
| TERMINAL FINISH | A | NO OF POSN | PART NUMBER |



RECOMMENDED PC BOARD LAYOUT

THIS DRAWING IS A CONTROLLED DOCUMENT.

| | | | |
|-------------|----------------------------------------|------------------|-------------|
| DIMENSIONS: | TOLERANCES UNLESS OTHERWISE SPECIFIED: | DWN | 30 JUL 2001 |
| mm | 0 PLC ±.3 | E. ZANOLINI | |
| | 1 PLC ±.25 | CHK | 30 JUL 2001 |
| | 2 PLC ±.25 | D. BIEVENOUR | |
| | 3 PLC ±. | APVD | 30 JUL 2001 |
| | 4 PLC ±. | D. BIEVENOUR | |
| | ANGLES ±2 | PRODUCT SPEC | 108-20166 |
| | FINISH | APPLICATION SPEC | 114-20079 |
| MATERIAL | | WEIGHT | - |
| | | CUSTOMER DRAWING | |

STE TE Connectivity

NAME: TERMINAL BLOCK HEADER ASSEMBLY
 180 DEG OPEN ENDS, STACKING
 5.08mm PITCH

SIZE: A2 CAGE CODE: 00779 DRAWING NO: 282825 RESTRICTED TO: -

SCALE: 3:1 SHEET 1 OF 1 REV: D2

Mouser Electronics

Authorized Distributor

Click to View Pricing, Inventory, Delivery & Lifecycle Information:

[TE Connectivity:](#)

[282825-3](#)