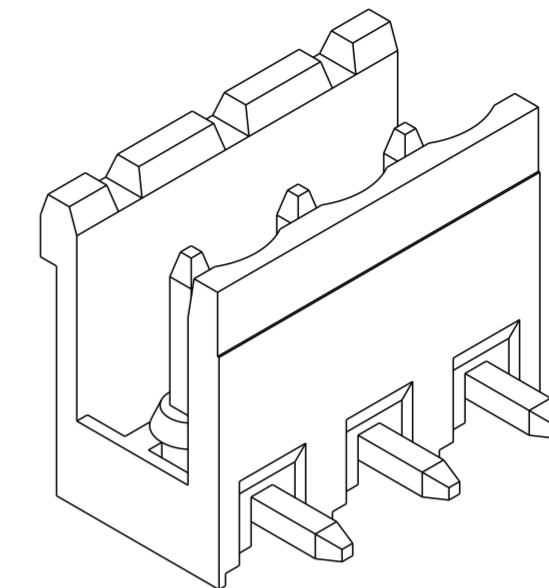
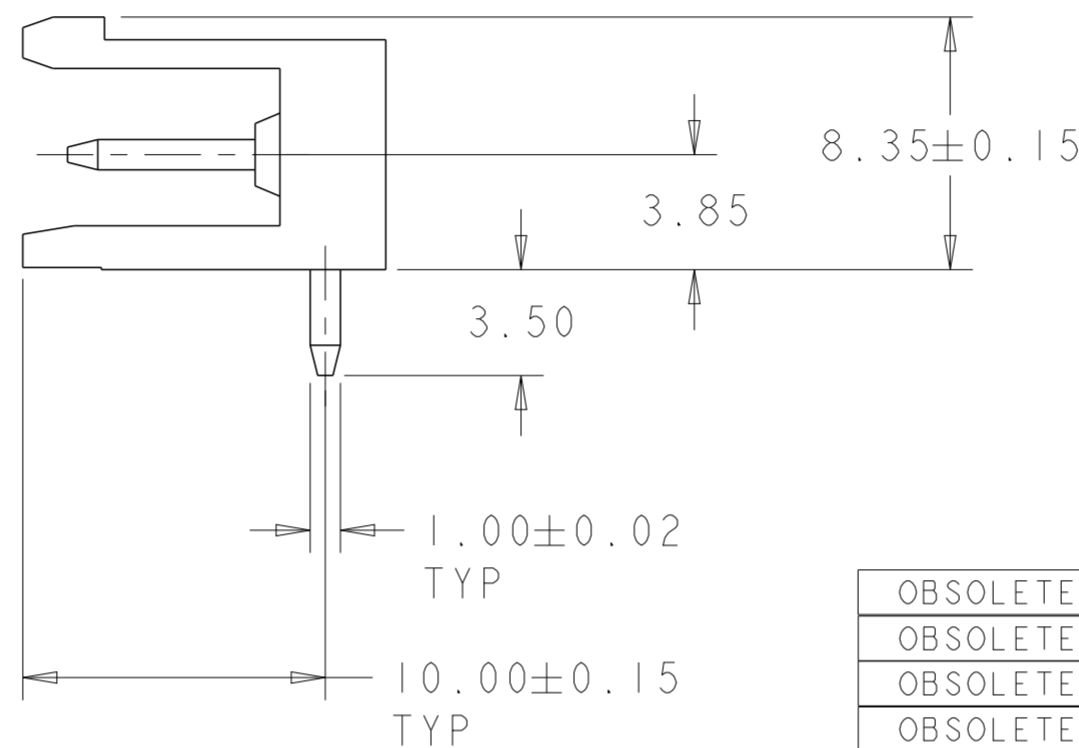
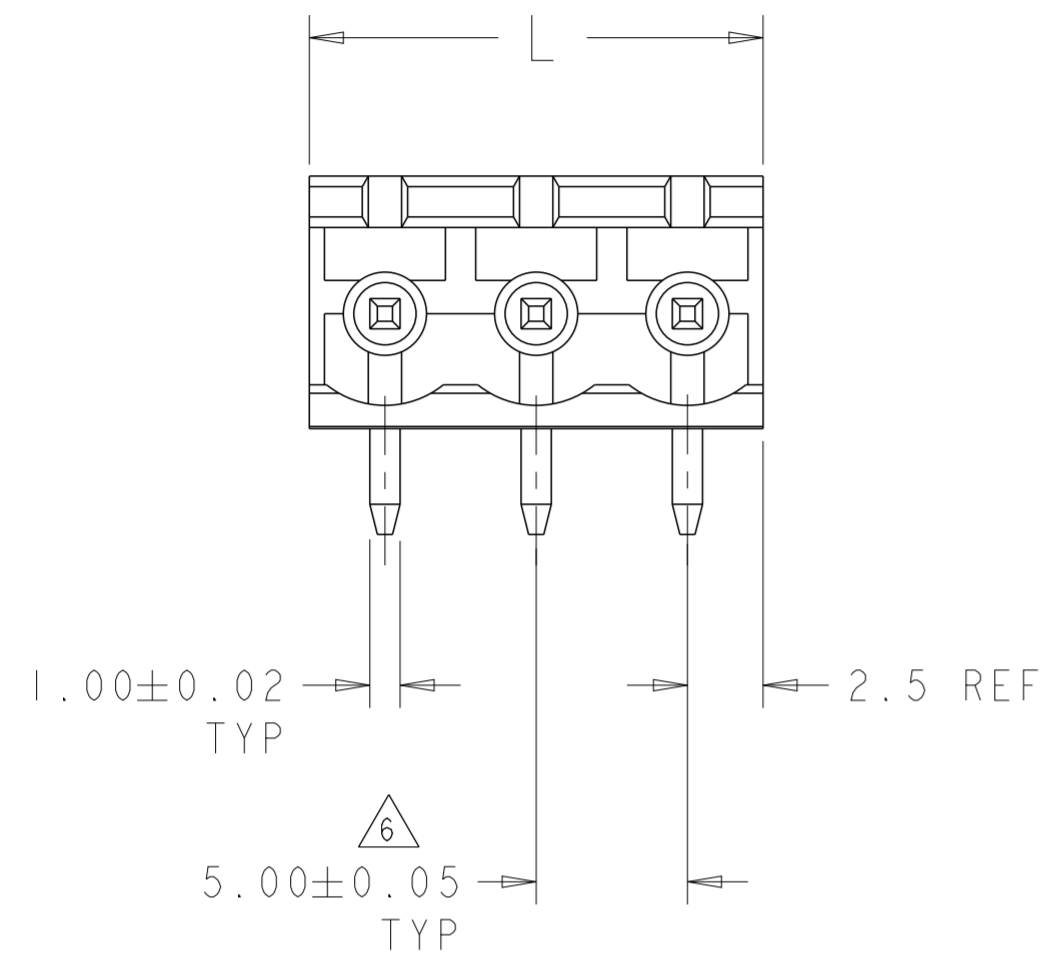
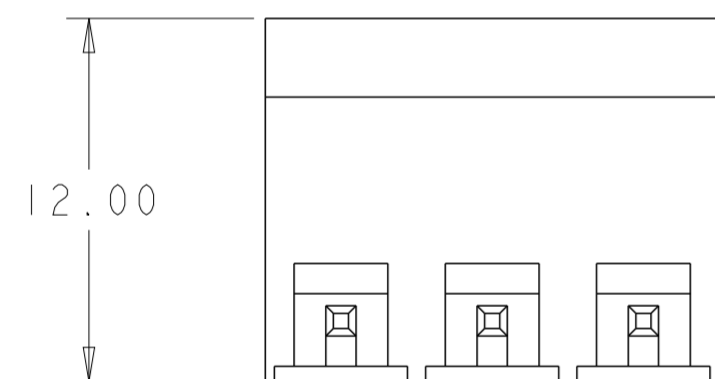


P	LTR	DESCRIPTION	DATE	DWN	APVD
D4		REVISED PER ECO-12-007964	02MAY2012	KH	MS
D5		3-7 AND 3-3 PART OBSOLETE	29AUG2020	DV	PS

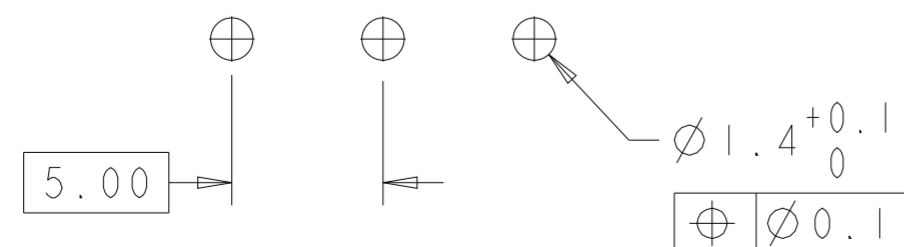


282812-3 AS SHOWN



- 1. MATERIALS AND FINISH
HOUSING: PA 6-6, UL 94-V0, COLOR: SEE TABLE.
TERMINAL: COPPER ALLOY, SEE TABLE.
- 2. SUITABLE FOR 1,6-2,4mm PC BOARD THICKNESS.
- 3. END-TO-END STACKABLE WITHOUT LOSS OF CENTERLINE SPACING.
- 4. RECOGNIZED UNDER THE COMPONENT PROGRAM OF UNDERWRITERS LABORATORIES INC. FILE N° E60677.
- 5. IMO CERTIFICATE WITH SURVEILLANCE IN CONFORMITY WITH IEC 998-1/998-2-1.
- 6. NOT CUMULATIVE TOLERANCE.
- 7. BUCHANAN LOGO TO APPEAR ON HOUSING, LOCATION OPTIONAL WHERE SPACE PERMITS.
- 8. SELECTIVELY LOADED IN POSITIONS 1, 4, 5, 8 & 11.

OBSOLETE	GREEN	MATTE TIN	-	15.0	3	3-282812-7
OBSOLETE	ORANGE	TIN	-	75.0	15	3-282812-6
OBSOLETE	ORANGE	TIN	-	65.0	13	3-282812-5
OBSOLETE	ORANGE	TIN	-	15.0	3	3-282812-4
OBSOLETE	GREEN	0.76um GOLD	-	15.0	3	3-282812-3
OBSOLETE	GREEN	TIN	SEE DETAIL M	55.0	11	3-282812-1
GREEN	TIN	-	-	125.0	25	2-282812-5
GREEN	TIN	-	-	120.0	24	2-282812-4
GREEN	TIN	-	-	115.0	23	2-282812-3
GREEN	TIN	-	-	110.0	22	2-282812-2
GREEN	TIN	-	-	105.0	21	2-282812-1
GREEN	TIN	-	-	100.0	20	2-282812-0
GREEN	TIN	-	-	95.0	19	1-282812-9
GREEN	TIN	-	-	90.0	18	1-282812-8
GREEN	TIN	-	-	85.0	17	1-282812-7
GREEN	TIN	-	-	80.0	16	1-282812-6
GREEN	TIN	-	-	75.0	15	1-282812-5
GREEN	TIN	-	-	70.0	14	1-282812-4
GREEN	TIN	-	-	65.0	13	1-282812-3
GREEN	TIN	-	-	60.0	12	1-282812-2
GREEN	TIN	-	-	55.0	11	1-282812-1
GREEN	TIN	-	-	50.0	10	1-282812-0
GREEN	TIN	-	-	45.0	9	282812-9
GREEN	TIN	-	-	40.0	8	282812-8
GREEN	TIN	-	-	35.0	7	282812-7
GREEN	TIN	-	-	30.0	6	282812-6
GREEN	TIN	-	-	25.0	5	282812-5
GREEN	TIN	-	-	20.0	4	282812-4
GREEN	TIN	-	-	15.0	3	282812-3
GREEN	TIN	-	-	10.0	2	282812-2
COLOR	PLATING	SPECIAL	L	NO OF POSN	PART NUMBER	



RECOMMENDED PC BOARD LAYOUT

THIS DRAWING IS A CONTROLLED DOCUMENT.

DWN S. WELDON 12SEP2002	TE Connectivity NAME: TERMINAL BLOCK HEADER ASSEMBLY 90 DEGREE, OPEN ENDS, STACKING 5.00mm PITCH				
CHK C. RICHARD 12SEP2002					
APVD C. RICHARD 12SEP2002					
PRODUCT SPEC 108-20166					
APPLICATION SPEC 114-20079	SIZE: A2	CAGE CODE: 00779	DRAWING NO: C-282812	RESTRICTED TO	
MATERIAL	WEIGHT	CUSTOMER DRAWING	SCALE: 4:1	SHEET: 1 OF 2	REV: D5

4

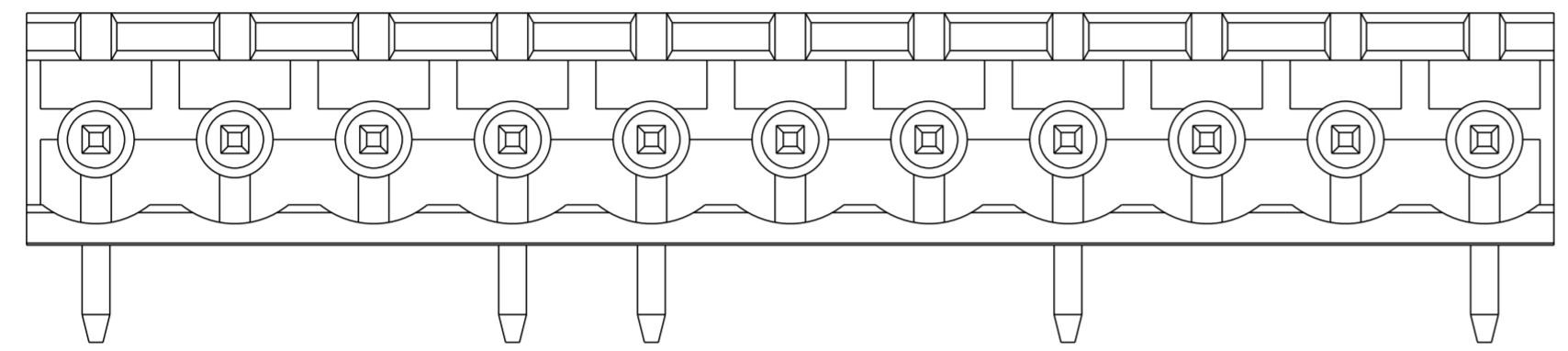
3

2

1

© 2020 TE Connectivity. All Rights Reserved.

REVISIONS					
P	LTR	DESCRIPTION	DATE	DWN	APVD
-		SEE SHEET 1	-	-	-



8
DETAIL M

THIS DRAWING IS A CONTROLLED DOCUMENT.		DWN S. WELDON 12SEP2002		
DIMENSIONS: mm		CHK C. RICHARD 12SEP2002		
TOLERANCES UNLESS OTHERWISE SPECIFIED:		APVD C. RICHARD 12SEP2002	NAME TERMINAL BLOCK HEADER ASSEMBLY 90 DEGREE, OPEN ENDS, STACKING 5.00mm PITCH	
0 PLC ±- 1 PLC ±.2 2 PLC ±.25 3 PLC ±- 4 PLC ±- ANGLES ±2 FINISH		PRODUCT SPEC 108-20166	SIZE A2	CAGE CODE 00779
MATERIAL		APPLICATION SPEC 114-20079	DRAWING NO C-282812	RESTRICTED TO
		WEIGHT -	SCALE 3:1 SHEET 2 OF 2 REV D5	
		CUSTOMER DRAWING		

Mouser Electronics

Authorized Distributor

Click to View Pricing, Inventory, Delivery & Lifecycle Information:

[TE Connectivity:](#)

[282812-3](#)