

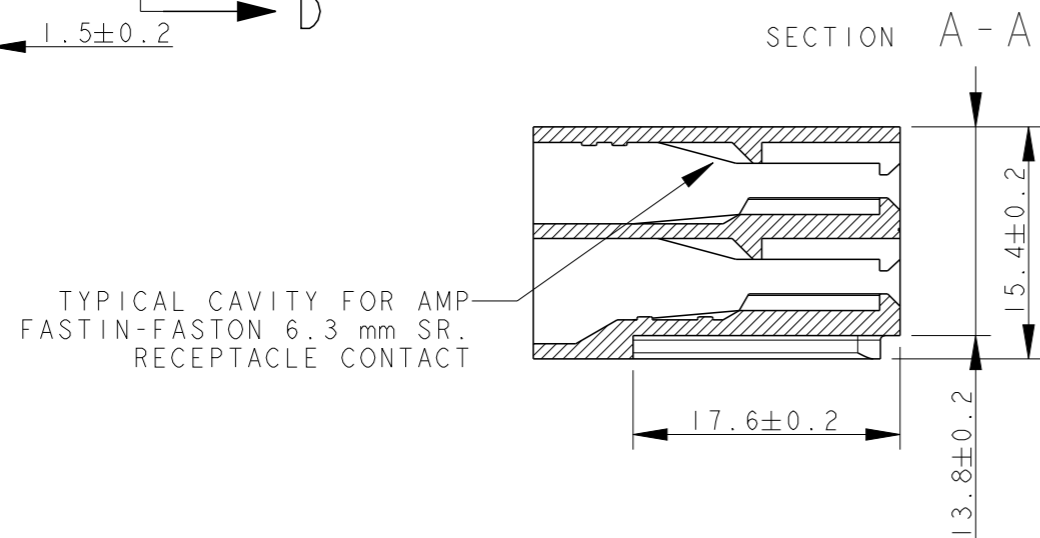
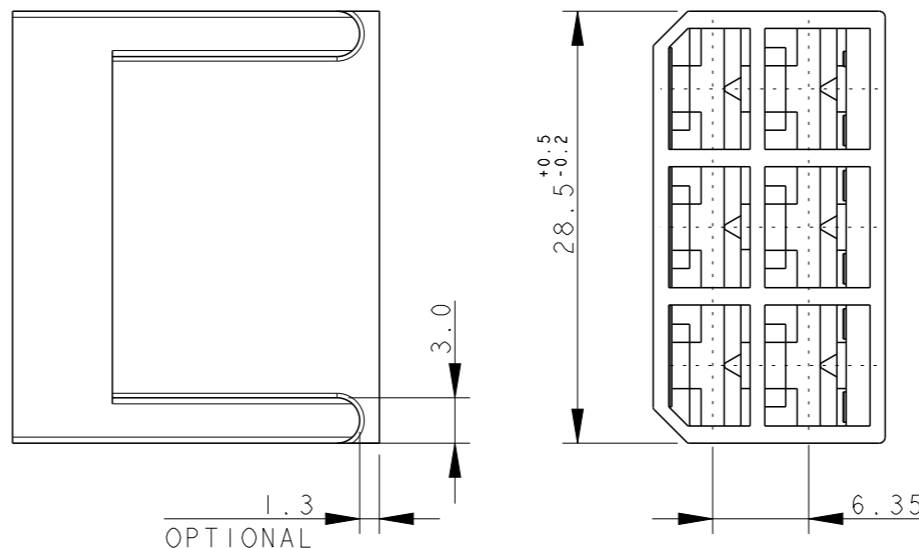
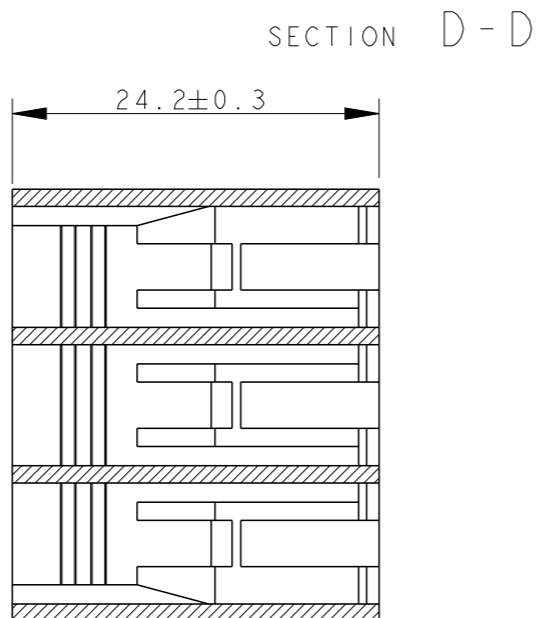
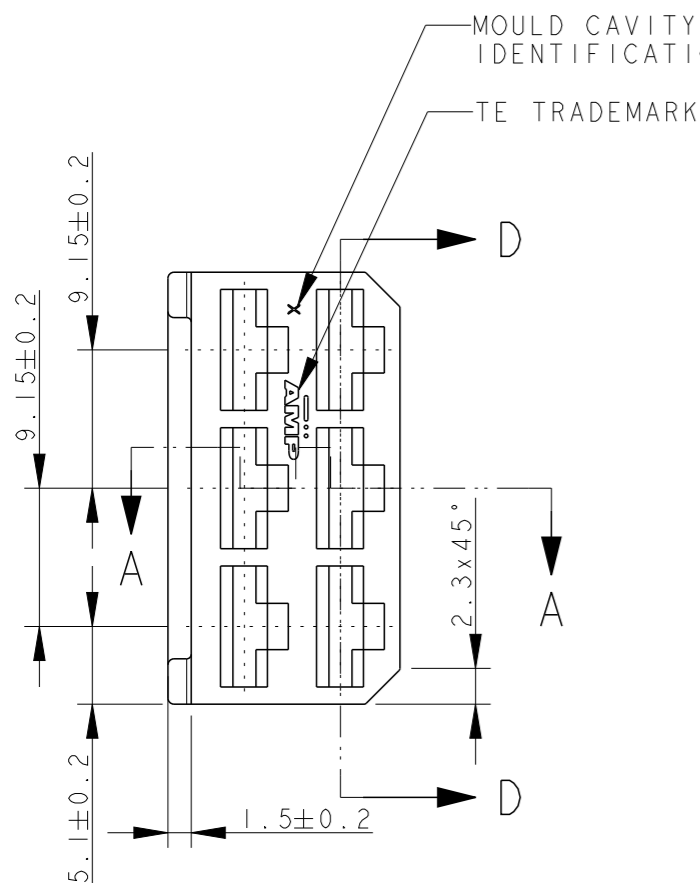
THIS DRAWING IS UNPUBLISHED.

RELEASED FOR PUBLICATION

© COPYRIGHT -

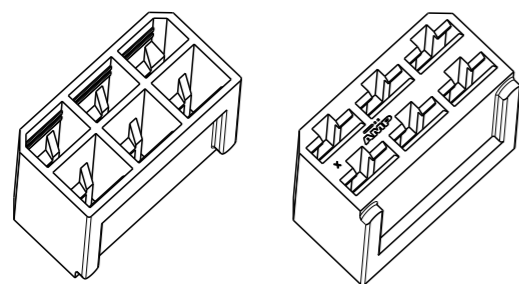
ALL RIGHTS RESERVED.

LOC	DIST	REVISIONS			
P	LTR	DESCRIPTION	DATE	DWN	APVD
	L3	REVISED PER ECO-11-005140	16APR2011	RK	HMR
	L4	ECR-12-019302	08NOV2012	PKS	RRP



- 1 "GLOW WIRE" VERSION.
- 2 SAME AS 0-280314-0 BUT SPECIAL PACKING, ON CARTON BOX, TWO BAG WITH 1000 PIECES ON EACH.
- 3 OBSOLETE PARTS: OBSOLETE CIS STREAMLINING PER D.RENAUD/D.SINISI

NOTE	COLOUR	MATERIAL	PART NO	REV
3		PA6.6 UNFILLED	3-280314-0	
		PA6.6 ZYTEL 135F	0-280314-6	
	BLACK		0-280314-5	
	RED	PA6.6 UNFILLED	0-280314-1	
	NATUR		0-280314-0	



THIS DRAWING IS A CONTROLLED DOCUMENT.

DWN H. YAALI 21JUN2004
CHK G. TURCO
APVD -

PRODUCT SPEC 108-20020
APPLICATION SPEC -

WEIGHT -

Customer Drawing

STE TE Connectivity

NAME FASTIN-FASTON CONNECTOR, 6.3 mm SRS. RECEPTACLE HOUSING 6 POS., WITHOUT EARS

SIZE A3 CAGE CODE 00779 DRAWING NO C-280314 RESTRICTED TO -

SCALE 2:1 SHEET 1 OF 1 REV L4

DIMENSIONS:	TOLERANCES UNLESS OTHERWISE SPECIFIED:
mm	
0 PLC	±-
1 PLC	±0.3
2 PLC	±-
3 PLC	±-
4 PLC	±-
ANGLES	±1°
FINISH	-

Mouser Electronics

Authorized Distributor

Click to View Pricing, Inventory, Delivery & Lifecycle Information:

[TE Connectivity:](#)

[280314](#)