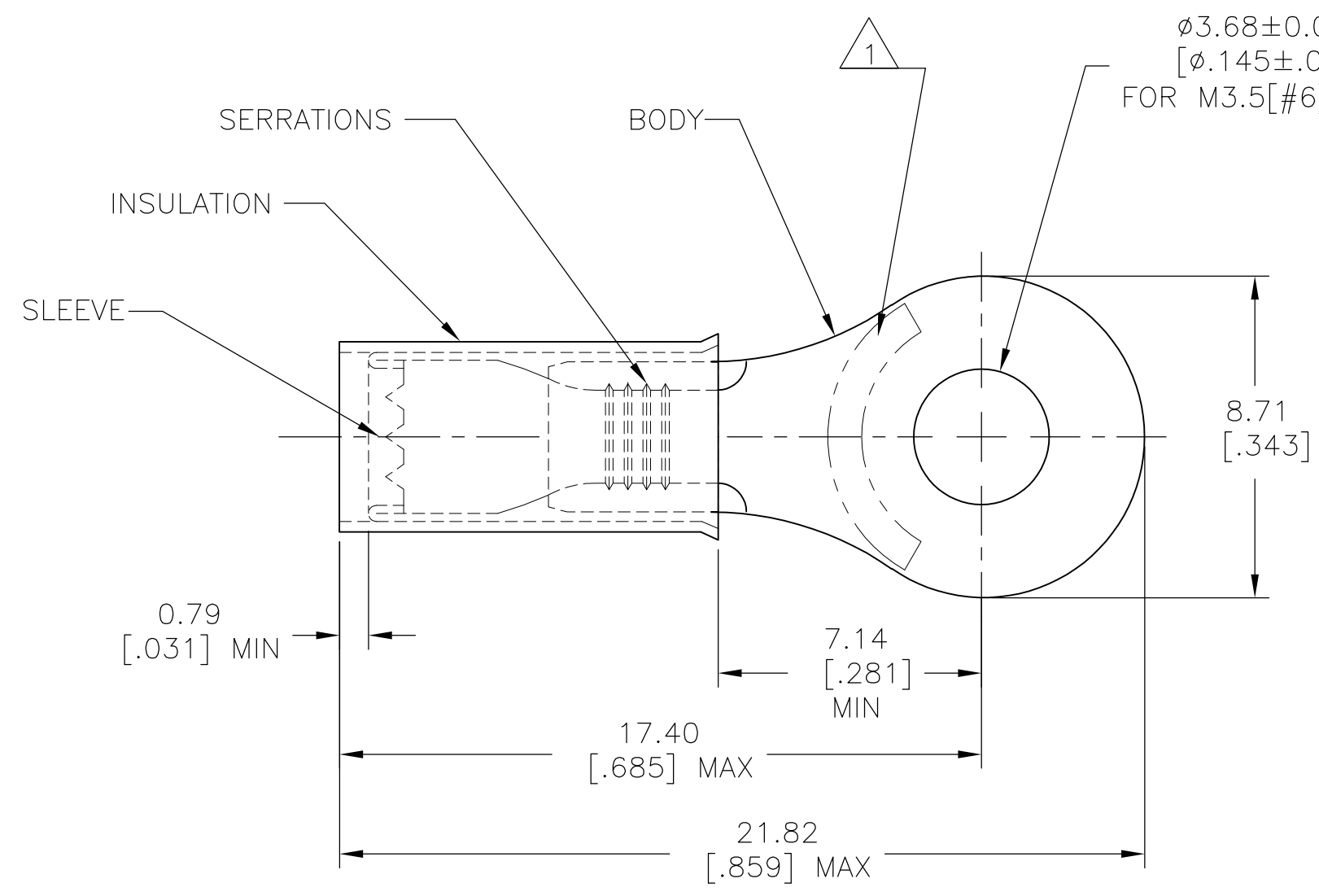


THIS DRAWING IS UNPUBLISHED. RELEASED FOR PUBLICATION
 © COPYRIGHT - By - ALL RIGHTS RESERVED.

LOC	DIST	REVISIONS			
P	LTR	DESCRIPTION	DATE	DWN	APVD
G	14	E3	REVISED PER ECO-13-006583	18APR13	KH DR



- 1 STAMP AMP 16-14* MAY BE ON TOP OR BOTTOM APPROX AS SHOWN
- 2 FOR 2.92[.115] TO 4.32[.170] WIRE INSULATION DIA.
- 3 MATERIAL TONGUE THK IS 0.79±0.05[.031±.002]

QTY	DESCRIPTION	MATERIAL	PART NO
100	LOOSE PIECE, BOX	INSULATION: NYLON, COLOR BLUE	8-36158-1
5000	36158 ON TAPE	SLEEVE: COPPER PER ASTM B152 TIN PLATE PER ASTM B545	2-36158-1
1000	WIRE TERMINAL	BODY: COPPER PER ASTM B152 TIN PLATE PER ASTM B545	36158

**AMP INCORPORATED
CUSTOMER SERVICE SYSTEMS**

FOR ADDITIONAL PRODUCT INFORMATION OR COPIES OF DRAWINGS AND TECHNICAL DOCUMENTS
 PRODUCT INFORMATION CENTER
 1-800-522-6752

FOR APPLICATION TOOLING INFORMATION
 TOOLING ASSISTANCE CENTER
 1-800-722-1111

FOR ORDER ENTRY
 1-800-526-5142

MAX RECOMMENDED OPERATING TEMPERATURE:
 105°C[221°F] MAX

VOLTAGE RATING:
 300 V MAX

WIRE CROSS SECTIONAL AREA RANGE:
 1.04-2.62mm² [2050-5180] CIR MILS
 SOLID OR STRANDED

THIS DRAWING IS A CONTROLLED DOCUMENT.

DIMENSIONS: mm [INCHES]

TOLERANCES UNLESS OTHERWISE SPECIFIED:

0 PLC	± -
1 PLC	± -
2 PLC	± -
3 PLC	± 0.20[.008]
4 PLC ANGLES	± 5°

MATERIAL: SEE TABLE
 FINISH: SEE TABLE

DWN jr_ruth 17MAR09
 CHK TOM MICHIELUTTI 17MAR09
 APVD TOM MICHIELUTTI 17MAR09

PRODUCT SPEC
 APPLICATION SPEC
 WEIGHT -

STE TE Connectivity

NAME: TERMINAL, PIDG RING TONGUE, WIRE SIZE 16-14 AWG

SIZE: A3 CAGE CODE: 00779 DRAWING NO: C-36158 RESTRICTED TO: -

CUSTOMER DRAWING SCALE: 8:1 SHEET: 1 OF 1 REV: E3

Mouser Electronics

Authorized Distributor

Click to View Pricing, Inventory, Delivery & Lifecycle Information:

[TE Connectivity:](#)

[2-36158-1](#)