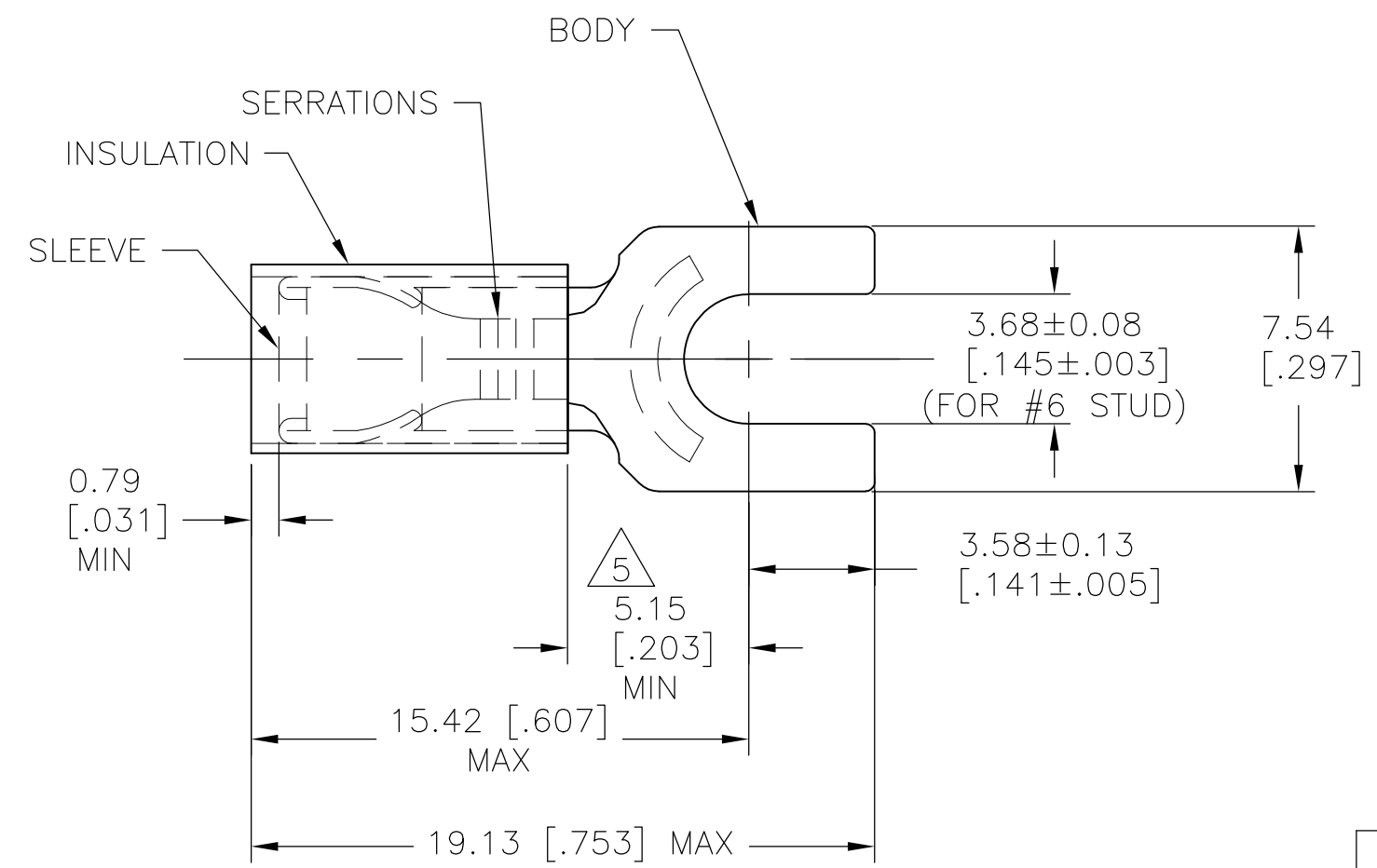


THIS DRAWING IS UNPUBLISHED. RELEASED FOR PUBLICATION
 © COPYRIGHT - By - ALL RIGHTS RESERVED.

LOC	DIST	REVISIONS					
		P	LTR	DESCRIPTION	DATE	DWN	APVD
G	14		J2	REVISED PER ECO-11-004917	11MAR11	RK	HMR

- 1 WIRE INSULATION DIA = 2.92 [.115] - 4.32 [.170]
- 2 TONGUE MATERIAL THK = 0.79±0.05 [.031±.002]
- 3 0.00254 [.000100] MIN THK. TIN PLATE (ASTM-B545)
- 4 MATERIAL:
INSULATION: NYLON - BLUE
BODY & SLEEVE: COPPER (ASTM-B152)
- 5 APPLIES FROM THE METAL EDGE OF BARREL TO THE CENTERLINE OF STUD



OBSOLETE	QTY	DESCRIPTION	PART NO
	50	LOOSE PC, BAG	8-35559-5
	100	LOOSE PC, BOX	8-35559-1
OBSOLETE	100	ON TAPE, SMALL BOX	2-35559-3
OBSOLETE	1000	ON TAPE, LARGE BOX	2-35559-2
	5000	ON TAPE, REEL	2-35559-1
	-	LOOSE PIECE	35559

CUSTOMER SERVICE SYSTEMS		MAX RECOMMENDED OPERATING TEMPERATURE: 105°C [221° F]	THIS DRAWING IS A CONTROLLED DOCUMENT.		DWN RAGHAVENDRA 03JUN09	TE Connectivity					
FOR ADDITIONAL PRODUCT INFORMATION OR COPIES OF DRAWINGS AND TECHNICAL DOCUMENTS	PRODUCT INFORMATION CENTER 1-800-522-6752	VOLTAGE RATING: 300V MAX	DIMENSIONS: mm [INCHES]	TOLERANCES UNLESS OTHERWISE SPECIFIED:	CHK JEFF RUTH 03JUN09					NAME	
FOR APPLICATION TOOLING INFORMATION	TOOLING ASSISTANCE CENTER 1-800-722-1111	CIRCULAR MIL AREA: 1.04-2.62mm² [2,050-5,180] SOLID OR STRANDED		0 PLC ± - 1 PLC ± - 2 PLC ± - 3 PLC ± 0.20 [.008] 4 PLC ± - ANGLES ± 0° 30'	APVD TOM MICHIELUTTI 03JUN09	PRODUCT SPEC					
FOR ORDER ENTRY	1-800-526-5142	THIS DRAWING IS A CONTROLLED DOCUMENT FOR AMP INCORPORATED. IT IS SUBJECT TO CHANGE AND THE CONTROLLING ENGINEERING ORGANIZATION SHOULD BE CONTACTED FOR THE LATEST REVISION.	MATERIAL	FINISH	APPLICATION SPEC		SIZE	CAGE CODE	DRAWING NO	RESTRICTED TO	
				BODY	-		A3	00779	C-35559	-	
CUSTOMER DRAWING						SCALE	5:1	SHEET	1 OF 1	REV	J2

Mouser Electronics

Authorized Distributor

Click to View Pricing, Inventory, Delivery & Lifecycle Information:

[TE Connectivity:](#)

[2-35559-1](#)