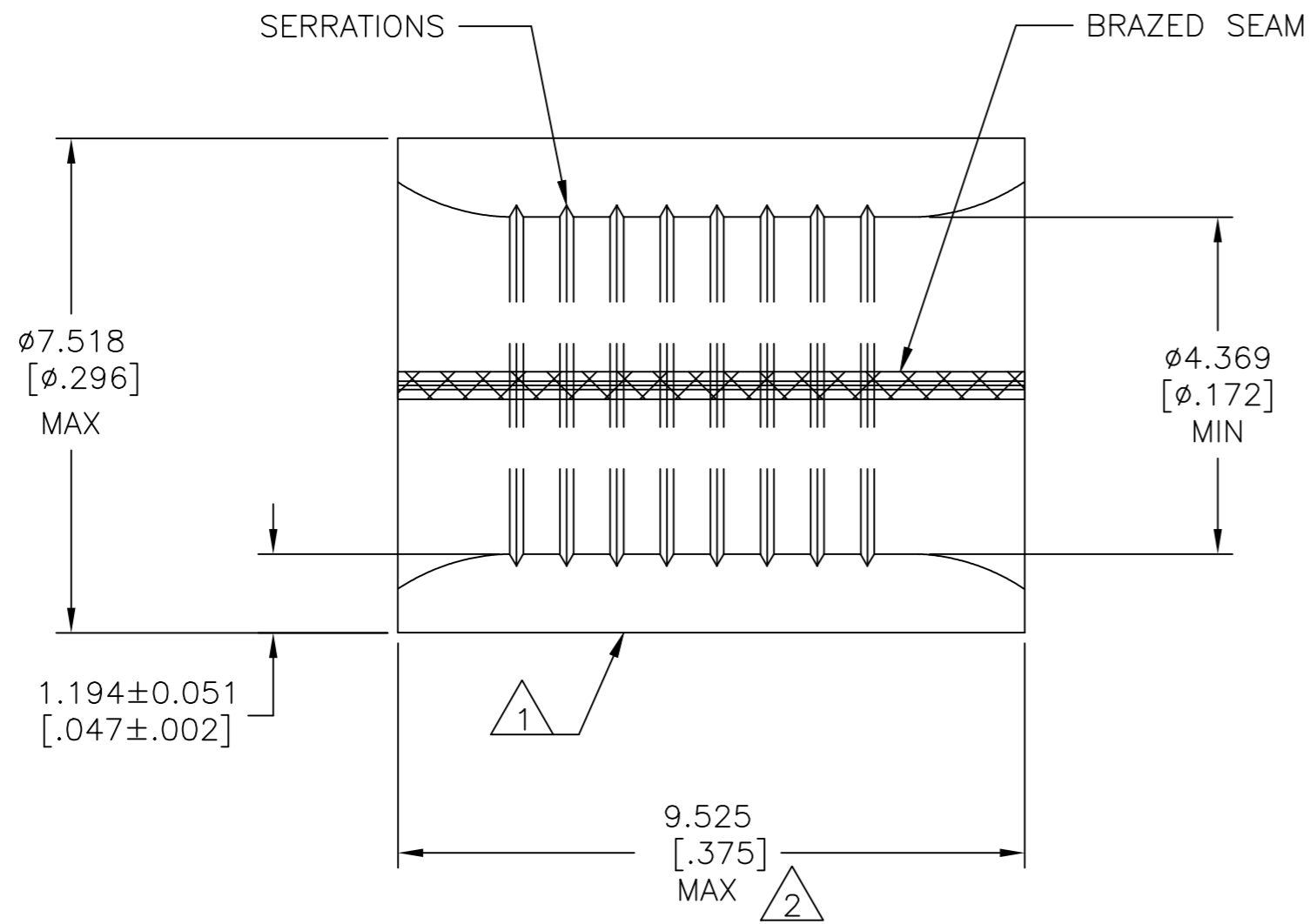
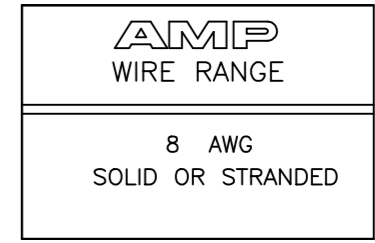


THIS DRAWING IS UNPUBLISHED. RELEASED FOR PUBLICATION  
 © COPYRIGHT - By - ALL RIGHTS RESERVED.

REVISIONS					
P	LTR	DESCRIPTION	DATE	DWN	APVD
L3		REVISED PER ECO-11-013501	30JUN11	HMR	DR
L4		REVISED PER ECO-17-008808	05MAR2018	RS	DR



- 1 STAMP AMP 8W\* APPROX AS SHOWN
- 2 MAXIMUM LENGTH DOES NOT INCLUDE MANUFACTURING TABS
- 3 COPPER PER ASTM B-152 ANNEALED
- 4 UL LISTED E13288, 8 AWG STRANDED
- 5 CSA CERTIFIED LR7189, 8 AWG SOLID OR STRANDED
- 6 TIN PLATE 0.00254[.000100] MIN THK PER ASTM B545
- 7 NICKEL PLATE 0.01651[.000650] MIN THK PER SAE AMS QQ-N-290
- 8 TIN/LEAD (60/40) PLATE, 0.00254 [.000100] MIN THK PER SAE-AMS-P-81728
- 9 NOTE DELETED
- 10 NOTE DELETED

4 5	25	LOOSE PIECE	170°C[338°F]	6	8-34318-3
---	100	LOOSE PIECE	343°C[650°F]	7	2-34318-1
---	100	LOOSE PIECE	170°C[338°F]	8	34318-1
4 5	500	LOOSE PIECE	170°C[338°F]	6	34318
APPROVALS	QTY	PACKAGE TYPE	MAX OPERATING TEMP	FINISH	PART NO
THIS DRAWING IS A CONTROLLED DOCUMENT.			DWN TA BRINKMAN 4-5-93		
DIMENSIONS: mm [INCHES]			CHK DA PATTERSON 4-5-93		
TOLERANCES UNLESS OTHERWISE SPECIFIED:			APVD DA PATTERSON 4-5-93		
0 PLC ± -			NAME		
1 PLC ± -			SPLICE, PARALLEL, SOLISTRAND		
2 PLC ± -			8 AWG		
3 PLC ± 0.127[.005]			SIZE		
4 PLC ± -			CAGE CODE		
ANGLES ± -			DRAWING NO		
FINISH			RESTRICTED TO		
SEE TABLE			A2 00779 C=34318		
MATERIAL			WEIGHT		
3			CUSTOMER DRAWING		
			SCALE 10:1 SHEET 1 of 1 REV L4		

AMP INCORPORATED  
 CUSTOMER SERVICE SYSTEMS

MAX RECOMMENDED OPERATING TEMPERATURE:  
 SEE TABLE

FOR ADDITIONAL PRODUCT INFORMATION OR COPIES OF DRAWINGS AND TECHNICAL DOCUMENTS

PRODUCT INFORMATION CENTER  
 1-800-522-6752

VOLTAGE RATING:  
 N/A

FOR APPLICATION TOOLING INFORMATION

TOOLING ASSISTANCE CENTER  
 1-800-722-1111

CIRCULAR MIL AREA:  
 6.64-10.5mm²[13,100-20,800]  
 SOLID OR STRANDED

FOR ORDER ENTRY

1-800-526-5142

THIS DRAWING IS A CONTROLLED DOCUMENT FOR AMP INCORPORATED. IT IS SUBJECT TO CHANGE AND THE CONTROLLING ENGINEERING ORGANIZATION SHOULD BE CONTACTED FOR THE LATEST REVISION.

# Mouser Electronics

Authorized Distributor

Click to View Pricing, Inventory, Delivery & Lifecycle Information:

[TE Connectivity:](#)

[2-34318-1](#)