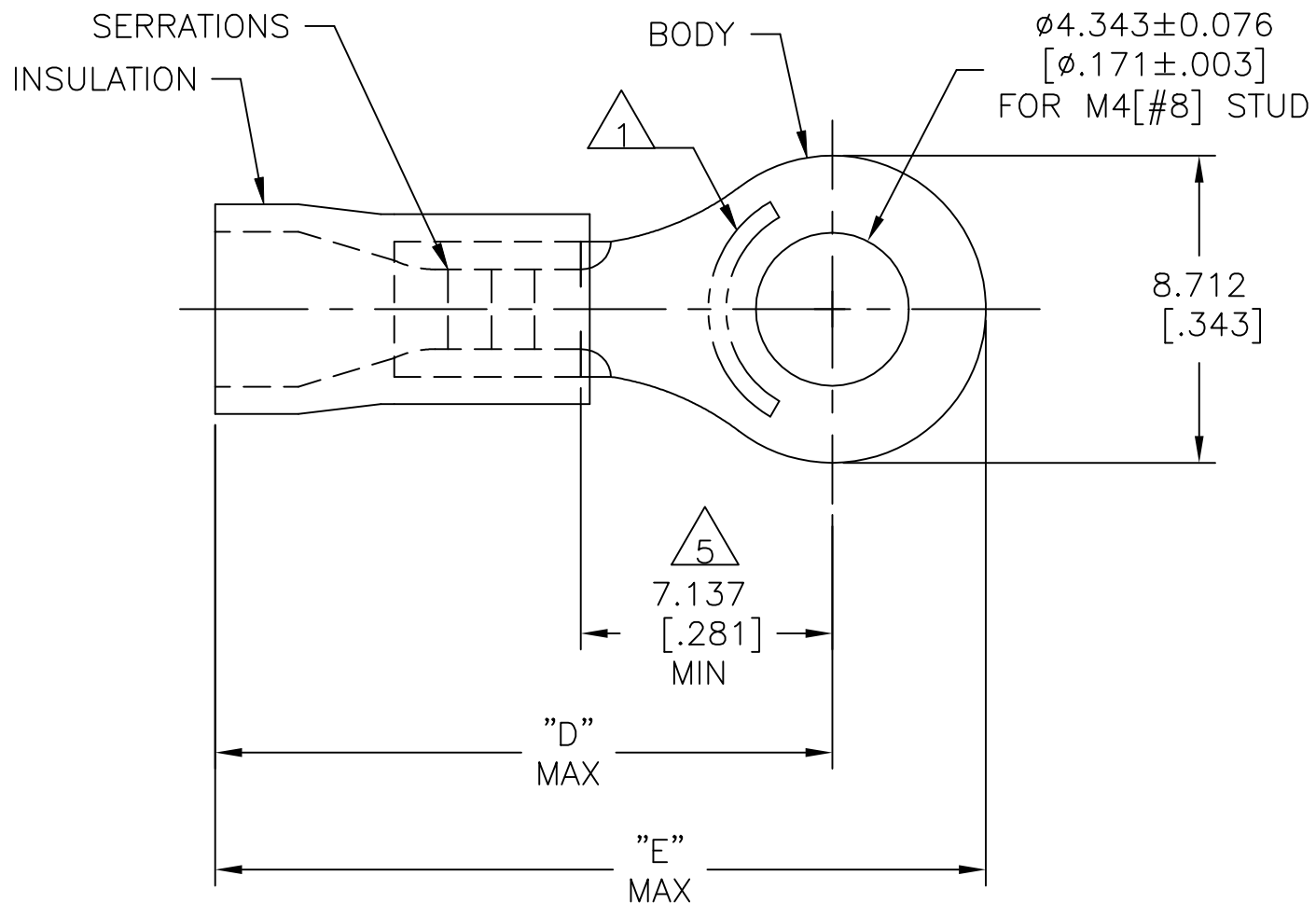


P	LTR	DESCRIPTION	DATE	DWN	APVD
	R1	REVISED PER ECO-11-004587	11MAR11	RK	HMR
	R2	REVISED PER ECO-17-014338	14MAY2018	RS	DR

AMP WIRE RANGE	Listed	LR7189 Certified
16-14 AWG SOLID OR STRANDED	16-14 AWG SOLID OR STRANDED	16-14 AWG SOLID OR STRANDED



- 1 STAMP AMP 16-14* APPROX AS SHOWN
- 2 BODY MATERIAL THK: 0.787±0.051[.031±.002]
- 3 NOTE DELETED
- 4 MATERIAL: BODY - CU PER ASTM B152
SLEEVE - PVC
- 5 APPLIES FROM CENTER OF STUD HOLE
TO EDGE OF METAL WIRE BARREL

22.123 [.871]	17.704 [.697]	2.997-4.902 [.118-.193]	100	LOOSE PIECE, BOX	8-34160-1
23.368 [.920]	18.948 [.746]	3.810-.635 [.150-.250]	1000	LOOSE PIECE	2-34160-2
22.123 [.871]	17.704 [.697]	2.997-4.902 [.118-.193]	5000	ON TAPE, REEL	2-34160-1
			1000	LOOSE PIECE	34160
"E"	"D"	WIRE INSULATION DIA	QTY	PACKAGE TYPE	PART NUMBER

AMP INCORPORATED
CUSTOMER SERVICE SYSTEMS

MAX RECOMMENDED OPERATING
TEMPERATURE:
105°C [221°F]

THIS DRAWING IS A CONTROLLED DOCUMENT.

DWN DK SCHRUM 02/08/93

STE TE Connectivity Ltd.

FOR ADDITIONAL
PRODUCT INFORMATION OR
COPIES OF DRAWINGS
AND TECHNICAL DOCUMENTS

PRODUCT INFORMATION CENTER
1-800-522-6752

VOLTAGE RATING:
600 V
(1000 V FIXTURE OR SIGN)

DIMENSIONS:
mm [INCHES]

TOLERANCES UNLESS
OTHERWISE SPECIFIED:

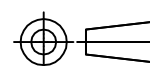
CHK RE HERSEY 8/15/93

NAME
M BARNABA
PRODUCT SPEC
UL 486A-B
APPLICATION SPEC
114-2161

FOR APPLICATION
TOOLING INFORMATION

TOOLING ASSISTANCE CENTER
1-800-722-1111

CIRCULAR MIL AREA:
1.04-2.62mm²[2,050-5,180]
SOLID OR STRANDED



0 PLC ± -
1 PLC ± -
2 PLC ± -
3 PLC ± 0.127[.005]
4 PLC ± -
ANGLES ± -

APVD M BARNABA 8/15/93

SIZE A3 CAGE CODE 00779 DRAWING NO C-34160 RESTRICTED TO -

FOR ORDER ENTRY
1-800-526-5142

THIS DRAWING IS A CONTROLLED DOCUMENT FOR
AMP INCORPORATED. IT IS SUBJECT TO CHANGE
AND THE CONTROLLING ENGINEERING ORGANIZATION
SHOULD BE CONTACTED FOR THE LATEST REVISION.

MATERIAL



FINISH
BODY:
TIN PER ASTM B545
INSULATION:
COLOR - BLUE

CUSTOMER DRAWING

SCALE 4:1 SHEET 1 OF 1 REV R2

Mouser Electronics

Authorized Distributor

Click to View Pricing, Inventory, Delivery & Lifecycle Information:

[TE Connectivity:](#)

[2-34160-2](#)