

THIS DRAWING IS UNPUBLISHED.

RELEASED FOR PUBLICATION

March ,2018.

© COPYRIGHT 2018 TE Connectivity Ltd.

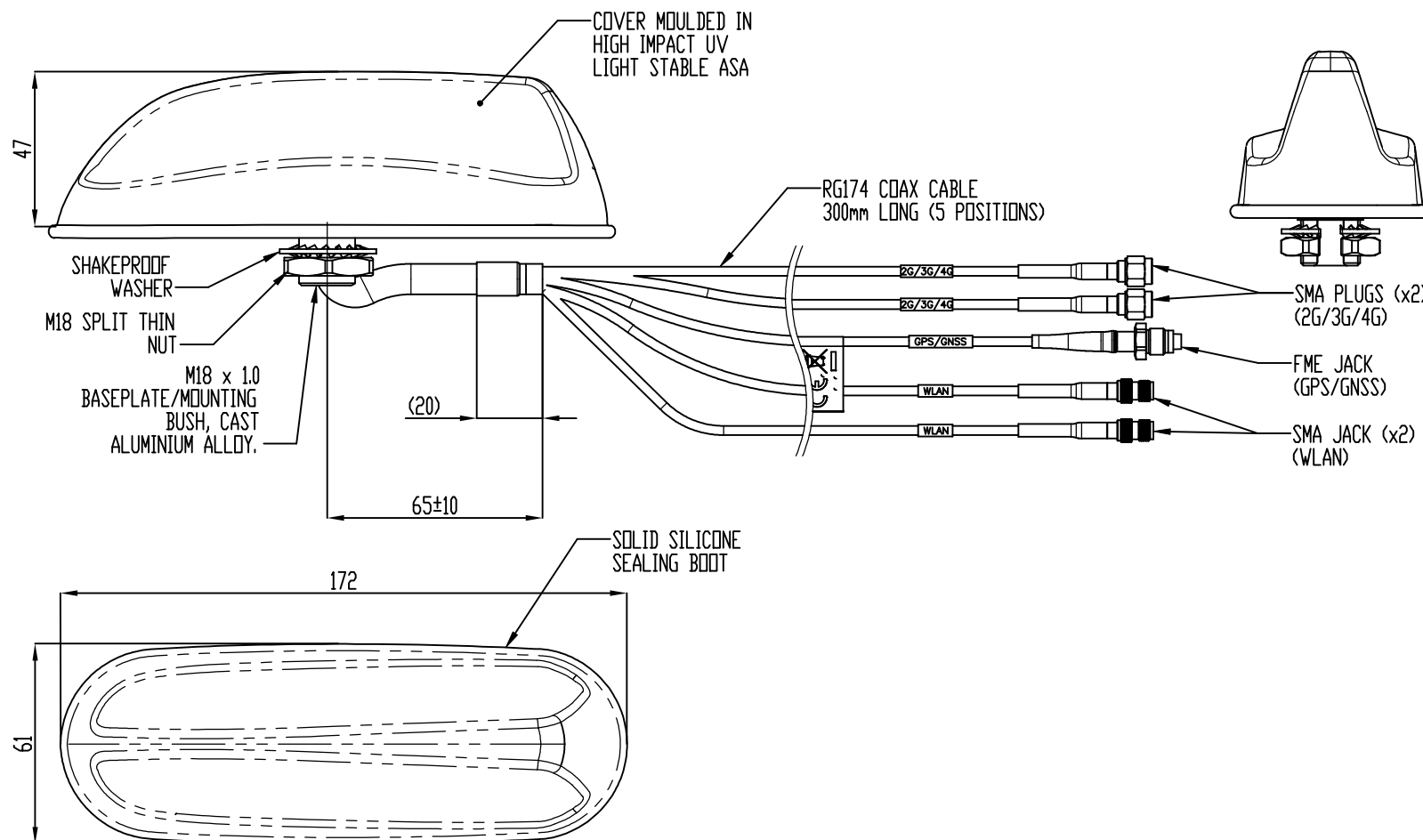
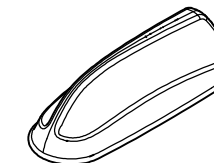
ALL RIGHTS RESERVED.

REVISIONS

P	LTR	DESCRIPTION	DATE	DWN	APVD
	A	INITIAL RELEASE	23MAR2018	GK	ES

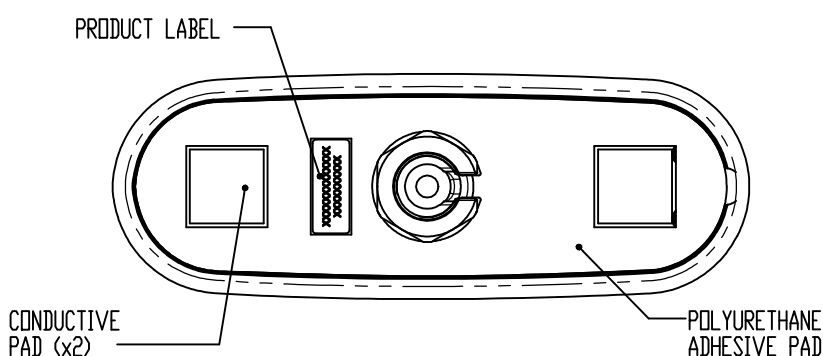
1x EARTH WASHER (SUPPLIED LOOSE)

ISO VIEW SCALE 1:5



NOTES:

- OPERATING FREQUENCIES:
 CELLULAR: 698–960/1710–3800 MHz
 WIFI : 2.4/5.0 GHz
 GPS/GNSS: 1562–1612 MHz 26dB LNA
- ALL MATERIALS SUPPLIED MUST BE RoHS2 (DIRECTIVE 2011/65/EU) COMPLIANT AND MUST NOT CONTAIN ANY SUBSTANCES OF VERY HIGH CONCERN (SVHCs) LISTED UNDER REACH OR POLY-AROMATIC HYDROCARBONS (PAHs), OR PERSISTENT ORGANIC POLLUTANTS (POPs) CONTROLLED BY THE STOCKHOLM CONVENTION.
- PATTERN: OMNI-DIRECTIONAL.
- POLARIZATION: VERTICAL
- MAX. INPUT POWER: 25W.
- OPERATING TEMPERATURE: -40°/+80°C(-40°/+176°F).
- MATERIAL: ASA, EPDM, ALUMINUM ALLOY.
- WEIGHT: 300.42g.



2332157-4	SHARK FIN MIMO 2/3/4G GPS 3X3WIFI 3M CAB	BLACK
2332157-3	SHARK FIN MIMO 2/3/4G GPS 2X2WIFI 3M CAB	
2332157-2	SHARK FIN MIMO 2/3/4G GPS 3M CABLES	
2332157-1	SHARK FIN MIMO 2/3/4G 3M CABLES	
TE P/N	DESCRIPTION	COLOR

THIS DRAWING IS A CONTROLLED DOCUMENT.

DWN 12MAR2018
 GOPALAKRISHNA H.V.
 CHK 12MAR2018
 E STELLINGA

TE TE Connectivity Ltd.

DIMENSIONS:	TOLERANCES UNLESS OTHERWISE SPECIFIED:
mm	
0 PLC	± 0.5
1 PLC	± 0.2
2 PLC	± 0.1
3 PLC	± -
4 PLC	± -
ANGLES	± 1°

APVD 12MAR2018
 E STELLINGA
 PRODUCT SPEC
 APPLICATION SPEC

NAME
 MIMO COAX GPS/GNSS 2G/3G/4G WLAN SHARKFIN ANT

MATERIAL - FINISH - WEIGHT -

SIZE	CAGE CODE	DRAWING NO	RESTRICTED TO
A3	00779	©=2332157	-

CUSTOMER DRAWING SCALE 1:1 SHEET 1 OF 1 REV A

Mouser Electronics

Authorized Distributor

Click to View Pricing, Inventory, Delivery & Lifecycle Information:

[TE Connectivity:](#)

[2332157-1](#)