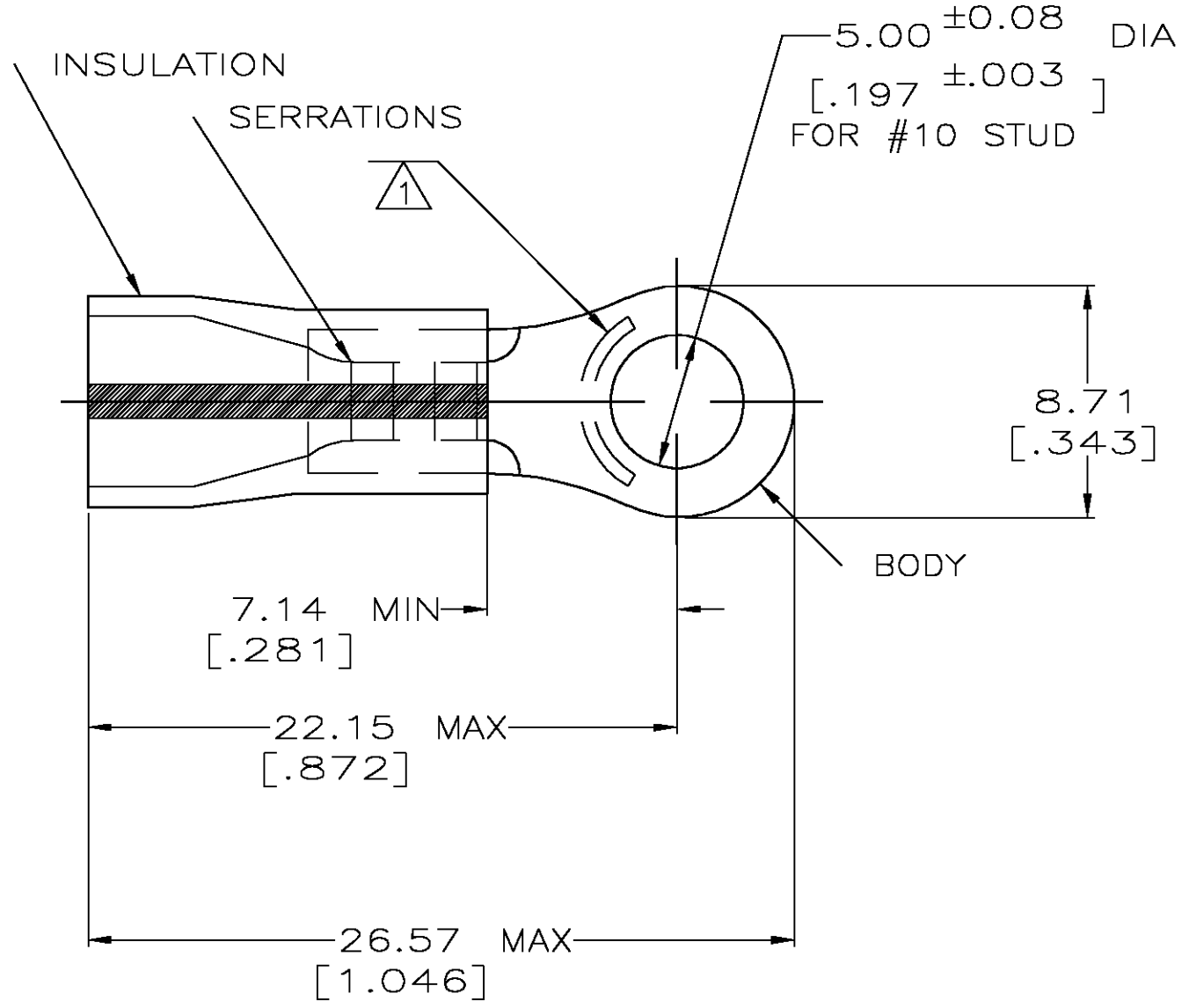


THIS DRAWING IS UNPUBLISHED. RELEASED FOR PUBLICATION
 © COPYRIGHT BY TYCO ELECTRONICS CORPORATION. ALL RIGHTS RESERVED.

LOC	DIST	REVISIONS			
P	LTR	DESCRIPTION	DATE	DWN	APVD
G	14	G	REV PER 0G3A-0636-04	13AUG04	JR TM

AMP WIRE RANGE	Listed FILE E13288	LR7189 Certified
16-14HD AWG SOLID OR STRANDED	16-14HD AWG SOLID OR STRANDED	16-14HD AWG SOLID OR STRANDED



- ① STAMP AMP 16-14HD* APPROX AS SHOWN
- 2 WIRE INSULATION DIA: .150-.250
- 3 TONGUE MATERIAL THK: 1.22^{±0.05} [.048^{±.002}]
- ④ MATERIAL: BODY - CU PER ASTM B152
SLEEVE - PVC,
COLOR - YELLOW W/BLK STRIPE

2500	ON TAPE, REEL	2-321518-1
-	LOOSE PIECE	321518
QTY	PACKAGE TYPE	PART NO.

AMP INCORPORATED
CUSTOMER SERVICE SYSTEMS

FOR ADDITIONAL PRODUCT INFORMATION OR COPIES OF DRAWINGS AND TECHNICAL DOCUMENTS
 PRODUCT INFORMATION CENTER
 1-800-522-6752

FOR APPLICATION TOOLING INFORMATION
 TOOLING ASSISTANCE CENTER
 1-800-722-1111

FOR ORDER ENTRY
 1-800-526-5142

MAX RECOMMENDED OPERATING TEMPERATURE:
 105°C

VOLTAGE RATING:
 N/A

CIRCULAR MIL AREA:
 1.04-2.62mm² [2,050-5,180]
 SOLID OR STRANDED

THIS DRAWING IS A CONTROLLED DOCUMENT.

DIMENSIONS: INCHES

TOLERANCES UNLESS OTHERWISE SPECIFIED:

0 PLC	± -
1 PLC	± -
2 PLC	± 0.20 [.008]
3 PLC	± -
4 PLC	± -
ANGLES	± -

MATERIAL: TIN PER ASTM B545

DWN: DK SCHRUM 09/29/92
 CHK: RE HERSEY 11/10/92
 APVD: M. BARNABA 11/10/92

tyco Electronics Tyco Electronics Corporation
 Harrisburg, Pa 17105-3608

NAME: TERMINAL, RING TONGUE, PLASTI-GRIP

PRODUCT SPEC: 108-1034

APPLICATION SPEC: NOT AVAILABLE

WEIGHT: -

SIZE: A3 CAGE CODE: 00779 DRAWING NO: C-321518 RESTRICTED TO: -

CUSTOMER DRAWING SCALE: 4:1 SHEET: 1 OF 1 REV: G

Mouser Electronics

Authorized Distributor

Click to View Pricing, Inventory, Delivery & Lifecycle Information:

[TE Connectivity:](#)

[2-321518-1](#)