

Figure 25 Part # LPF-R011331S

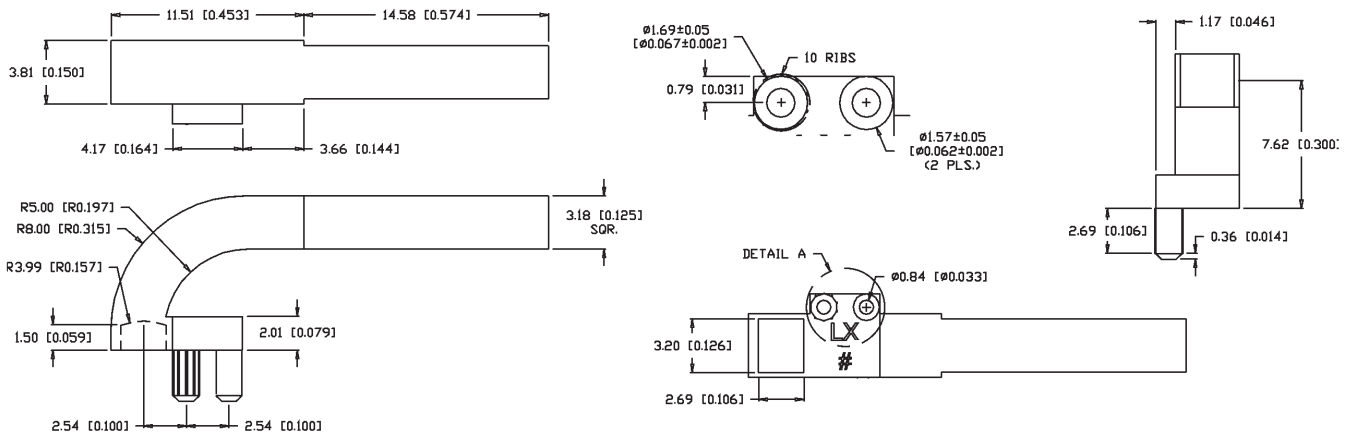


Figure 26 Part # LPF-S011441S

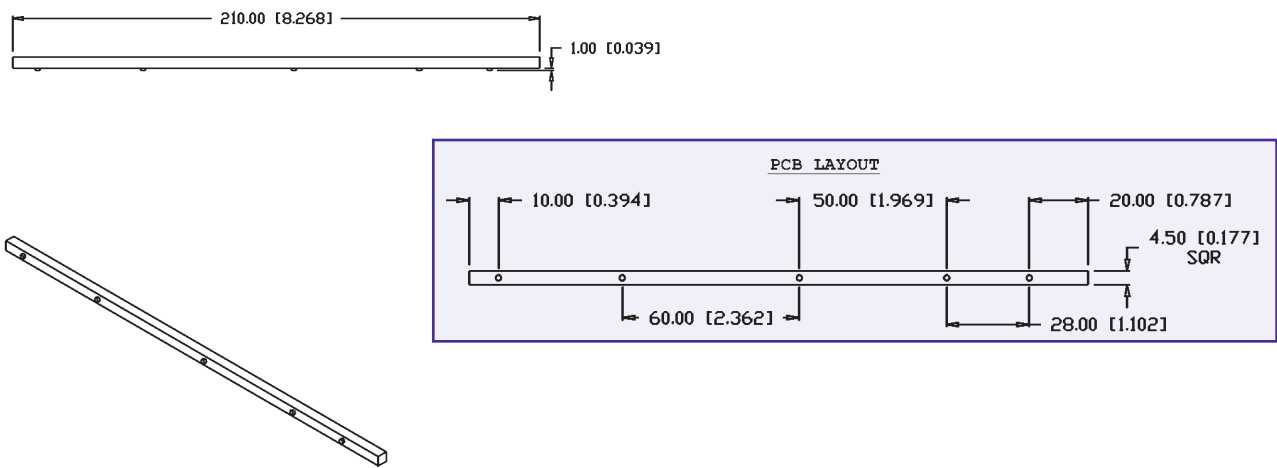
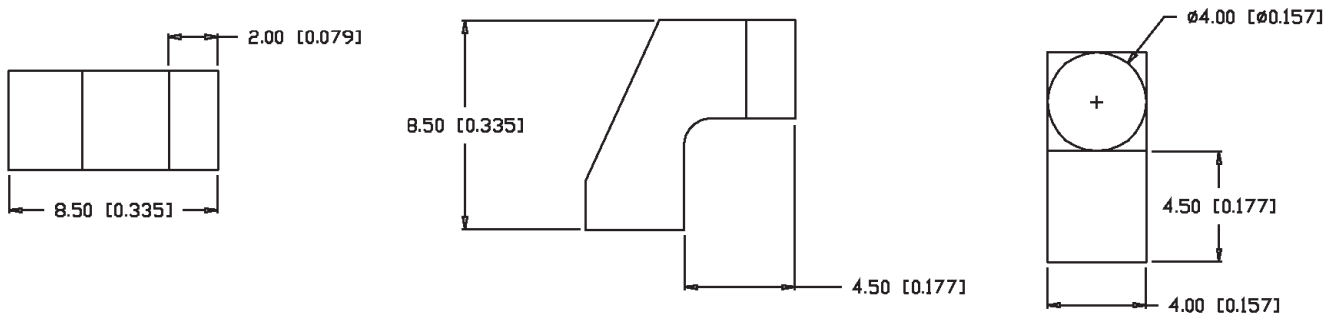


Figure 27 Part # LPF-C011401S



Mouser Electronics

Authorized Distributor

Click to View Pricing, Inventory, Delivery & Lifecycle Information:

[Lumex:](#)

[LPF-C011401S](#)