

# RK08H Without Knob Type

Compact type potentiometer suitable for volume and tone controls



## Typical Specifications

Items	Specifications
Total resistance tolerance	±30%
Maximum operating voltage	50V AC 20V DC (Single-unit only)
Total rotational angle	200° ± 10°
Rotational torque	1 to 10mN·m 0.5 to 10mN·m (Reflow type)
Operating life	Without detent 10,000 cycles With detent 5,000 cycles
Operating temperature range	-10°C to +60°C

## Product Line

Number of resistor elements	Mounting method	Length of the shaft (mm)	Center detent	Total resistance(kΩ)	Resistance taper	Minimum order unit (pcs.)		Products No.	Drawing No.
						Japan	Export		
Single-unit	Manual	1	Without	10	1B	1,000	1,000	RK08H11100UD	1
			With					RK08H11100RB	
	Reflow		RK08H113003Q					2	
Dual-unit	Manual	1	Without	15A	1,000	1,000	RK08H12100GZ	1	
	Reflow						RK08H1230012	2	

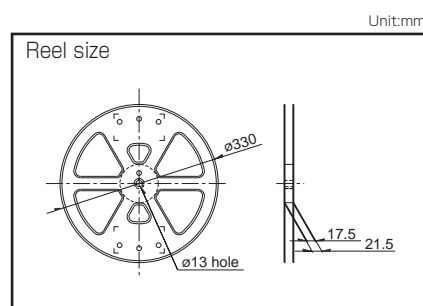
## Notes

- Other varieties are also available. Refer to "Other Specifications" (P.336).
- The above products are compatible with dip soldering. If required, please specify "dip soldering type."
- We recommend print boards with a thickness of 0.8mm to 1.2mm. For 1.6mm thickness board applications, please contact us.

## Packing Specifications

Bulk / Taping

Mounting method	Packing specifications	Number of packages (pcs.)			Tape width (mm)	Export package measurements (mm)
		1 reel	1 case / Japan	1 case / export packing		
Manual	Bulk	—	5,000	10,000	—	528×369×178
Reflow	Taping	1,000	4,000	4,000	16	401×397×139


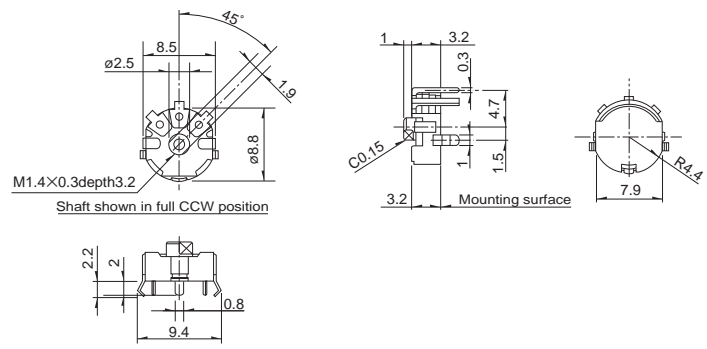

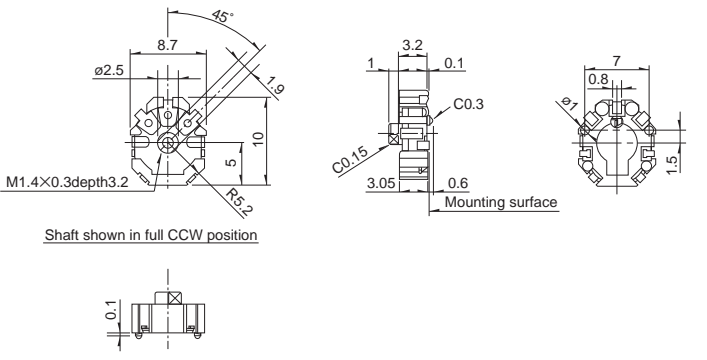


Refer to P.336 for other specifications.  
Refer to P.336 for soldering conditions.  
Refer to P.341 for ordering products not listed.

# RK08H Without Knob Type

## Dimensions

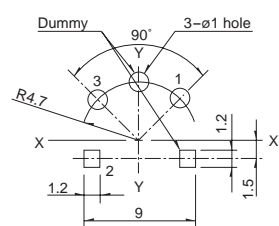
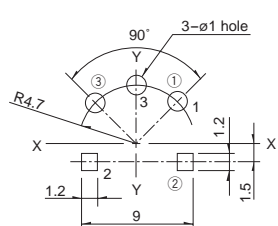
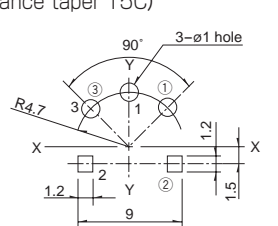
Unit:mm

No.	Photo	Style
1	<p><b>Manual</b> Single-shaft, single-unit RK08H1110 Single-shaft, dual-unit RK08H1210</p> 	
2	<p><b>Reflow</b> Single-shaft, single-unit RK08H1130 Single-shaft, dual-unit RK08H1230</p> 	

## PC Board Mounting Hole Dimensions / Terminal Layout

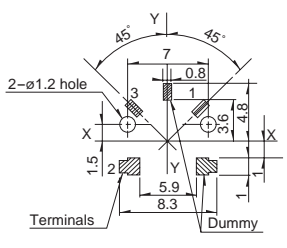
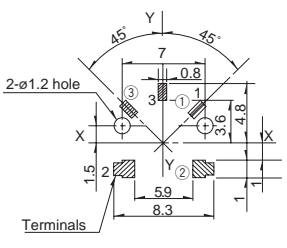
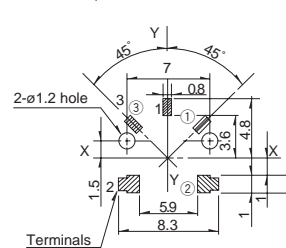
Manual (Viewed from mounting side)

Unit:mm

<p>Single-shaft, single-unit</p> 	<p>Single-shaft, dual-unit</p> 	<p>Single-shaft, dual-unit (Resistance taper 15C)</p> 
--	--	---

Reflow (Viewed from mounting side)

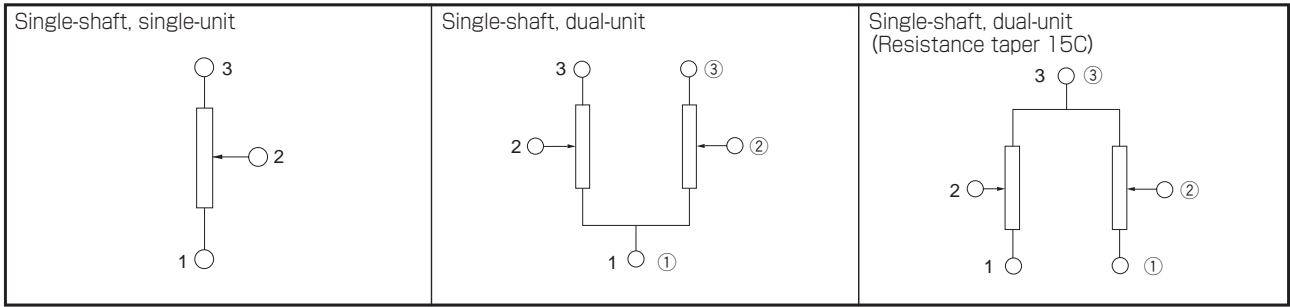
Unit:mm

<p>Single-shaft, single-unit</p>  <p>Shaded area: Solder land</p>	<p>Single-shaft, dual-unit</p>  <p>Shaded area: Solder land</p>	<p>Single-shaft, dual-unit (Resistance taper 15C)</p>  <p>Shaded area: Solder land</p>
--	--	---

### Note

Keep the DUMMY terminal open in the circuit.

■ Standard Specification Circuit Diagram



Rotary  
Potentiometers

Slide  
Potentiometers

Metal Shaft

Insulated  
Shaft

Knob  
Operating

Through  
Shaft Type

Ring Type

# Without Knob Type / Other Specifications

In addition to the Product Line, we accommodate the following specifications. Combinations not included in the Product Line are treated as semi-standard products.

## Total Resistance Variety

Total resistance (k Ω)	5	10	20	50	100
------------------------	---	----	----	----	-----

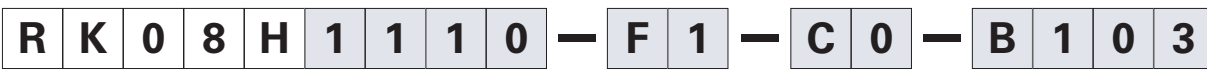
## Resistance Taper

Resistance taper	15A	1B	3B	15C
------------------	-----	----	----	-----

# Without Knob Type / Ordering Products Not Listed

Please refer to the notation example below for specification combinations not included in the Product Line.

## Sample Part Number



Model type

Code	Model type
111	Single-unit Manual
113	Single-unit Reflow
121	Dual-unit Manual
123	Dual-unit Reflow

Length of the shaft (mm)

Code	Length of the shaft
F1	1

\*Only 1mm types are provided with the M1.4 tap screws.

Detent

Code	Center detent
C0	Without
C1	With

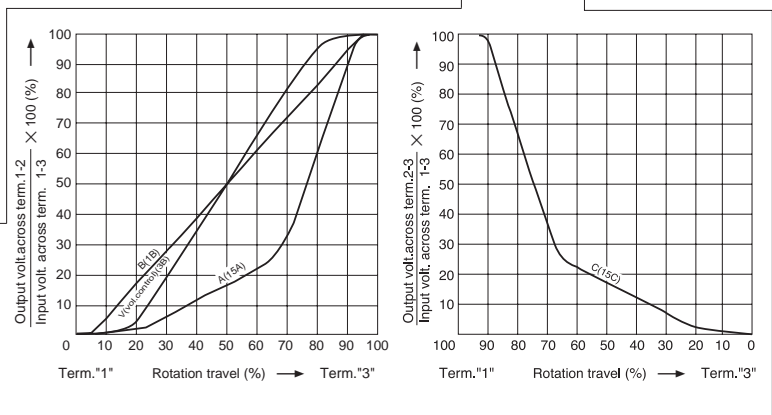
\*Detent can only be specified for non-reflow single-unit types.

Resistance taper

Code	Resistance taper	Code	Resistance taper
A	15A	C	15C
B	1B	V	3B

Total resistance

Code	Total resistance (k Ω)	Code	Total resistance (k Ω)
502	5	503	50
103	10	104	100
203	20	—	—



### Note

Marked are specifications recommended by Alps Alpine.

Rotary Potentiometers

Slide Potentiometers

Metal Shaft

Insulated Shaft







Knob Operating

Through Shaft Type

Ring Type

# Knob Operating Type Potentiometers

## List of Varieties

Type	Without knob type		With knob type	
Series	RK08H1 □ 1	RK08H1 □ 3	RK10J1 □ E	RK10J1 □ R
	Single-unit/Dual-unit	Single-unit/Dual-unit	Single-unit/Dual-unit	Single-unit/Dual-unit
Photo				
Terminal orientation	Vertical	Reflow type	—	—
Operating temperature range	-10°C to +60°C			
Operating life	Without detent 10,000 cycles With detent 5,000 cycles		10,000 cycles	
Automotive use	—	—	—	—
Life cycle				
Electrical performance	Total resistance (k Ω)	5, 10, 20, 50, 100		10, 20, 50, 100
	Resistance taper	15A, 1B, 3B, 15C		
	Rated power	0.03W		
	Insulation resistance	—	—	100MΩ min. 100V DC
	Voltage proof	—	—	100V AC for 1minute
Mechanical performance	Detent	Without / Center detent		Without
	Stopper strength	0.1N		70mN·m
	Push-pull strength	10N		5N
Terminal style	Insertion	Reflow	Insertion	Reflow
Page	333		337	

### Residual Resistance

※ Applies only to products with specified residual resistance

Nominal total resistance	※ Residual resistance
100kΩ ≥ R ≥ 50kΩ	0.1% or less of nominal total resistance
50kΩ > R > 10kΩ	30Ω or less
10kΩ ≥ R	20Ω or less

### Maximum Attenuation

Nominal total resistance	Maximum attenuation
R ≥ 100kΩ	90dB min.
100kΩ > R ≥ 50kΩ	80dB min.
50kΩ > R ≥ 10kΩ	70dB min.
10kΩ > R	60dB min.

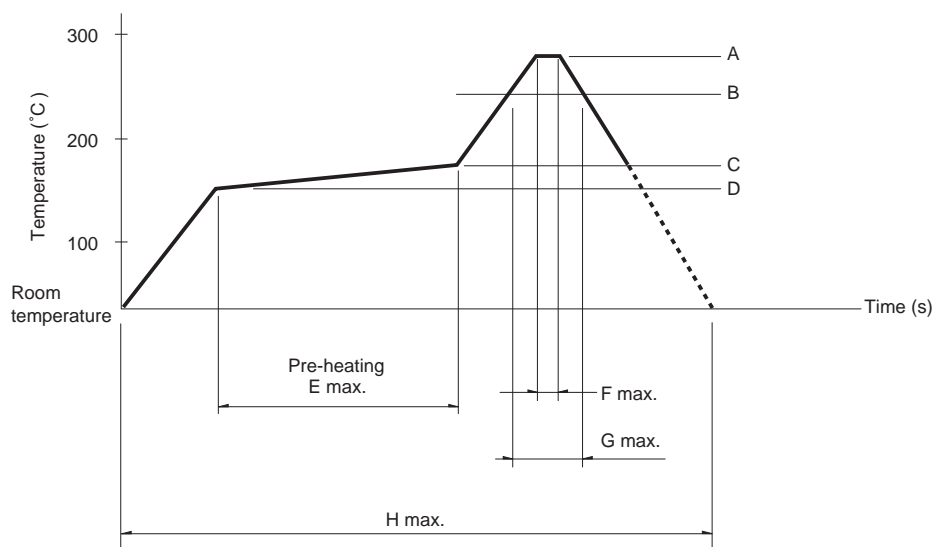
Knob Operating Type Potentiometers Soldering Conditions	341
Potentiometers Cautions	384
Potentiometers Measurement and Test Methods	386
Potentiometers Resistance Taper	388

## Reference for Manual Soldering

Series	Tip temperature	Soldering time	No. of solders
<b>RK08H1□1, RK10J</b>	350°C max.	3s max.	1 time

## Example of Reflow Soldering Condition

Temperature profile



Series	A	B	C	D	E	F	G	H	No. of reflows
<b>RK08H1□3, RK10J1□R</b>	250°C	200°C	150°C	150°C	2 min.	3s	40s	4 min.	2 time max.

## Notes

1. When using an infrared reflow oven, solder may sometimes not be applied. Be sure to use a hot air reflow oven or a type that uses infrared rays in combination with hot air.
2. The temperatures given above are the maximum temperatures at the terminals of the potentiometer when employing a hot air reflow method. The temperature of the PC board and the surface temperature of the potentiometer may vary greatly depending on the PC board material, its size and thickness. Ensure that the surface temperature of the potentiometer does not rise to 250°C or greater.
3. Conditions vary to some extent depending on the type of reflow bath used. Be sure to give due consideration to this prior to use.

# Mouser Electronics

Authorized Distributor

Click to View Pricing, Inventory, Delivery & Lifecycle Information:

[Alps Alpine:](#)

[RK08H11100X7](#) [RK08H113003G](#) [RK08H1120A05](#) [RK08H12100GP](#) [RK08H113003Q](#) [RK08H122005A](#)  
[RK08H11100UD](#) [RK08H11100XC](#) [RK08H123002K](#) [RK08H11100U3](#) [RK08H12100F3](#) [RK08H1110A04](#)