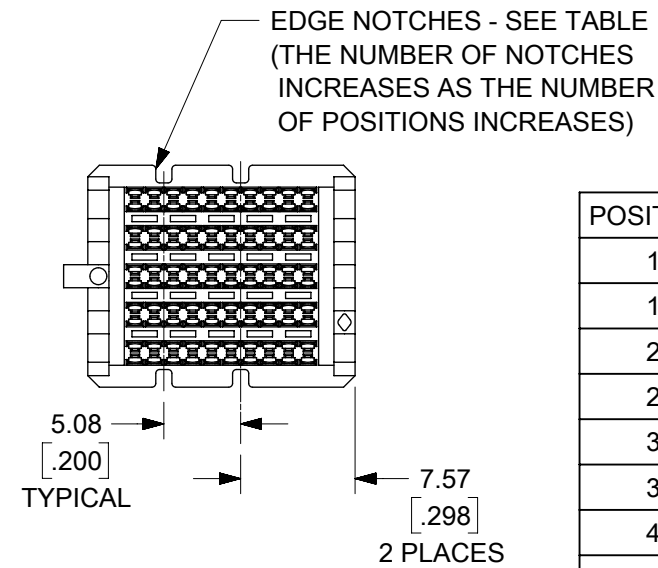
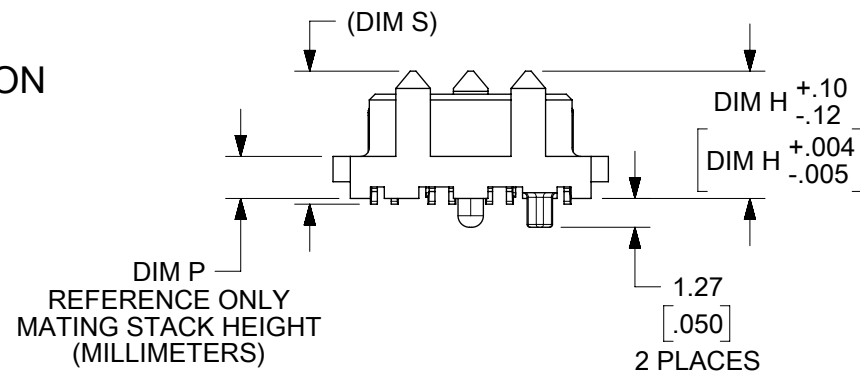
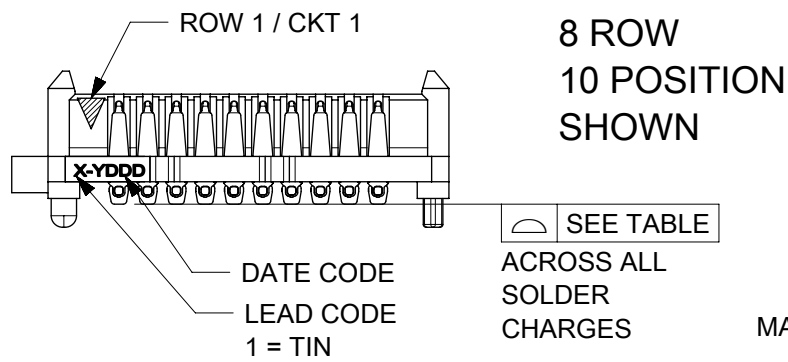
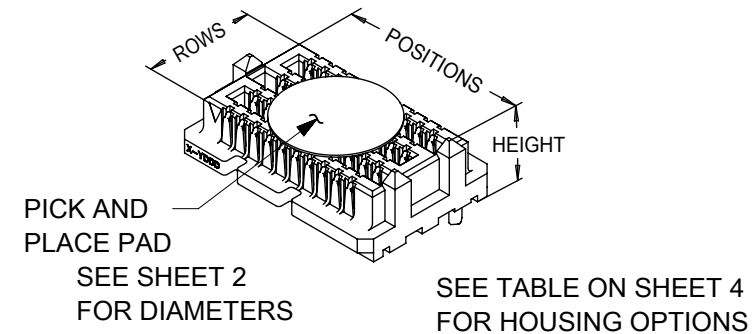
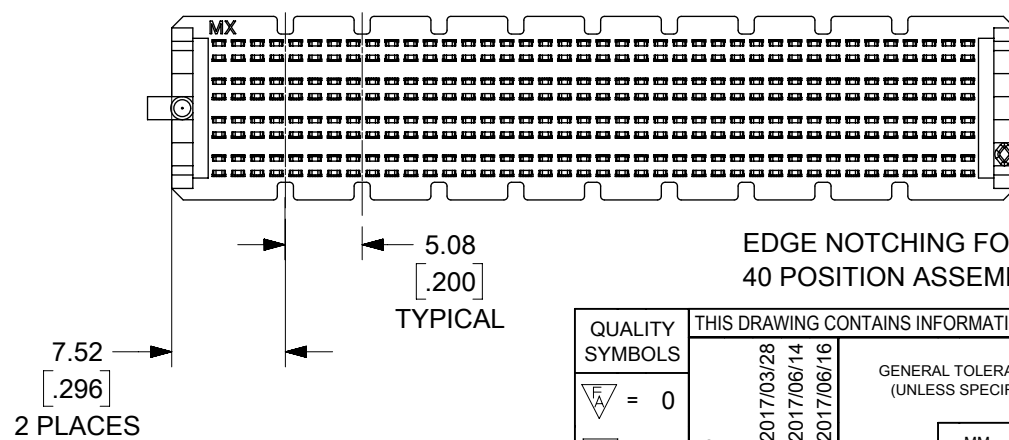
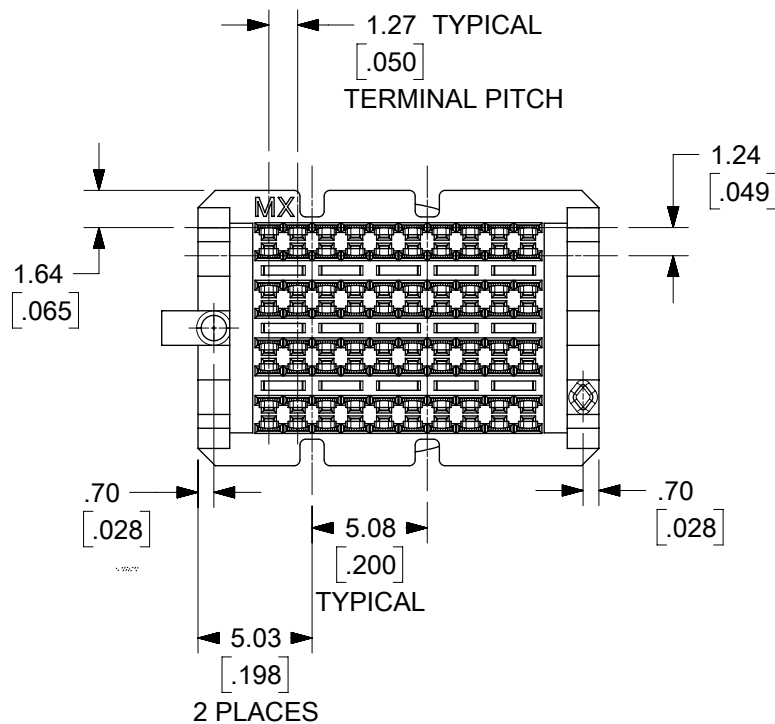


- NOTES:
- MATERIAL: HOUSING: GLASS FILLED LCP (LIQUID CRYSTAL POLYMER), UL94V-0, BLACK  
CONTACTS: COPPER ALLOY  
SOLDER CHARGE: 95.5% TIN, 3.8% SILVER, 0.7% COPPER
  - FINISH: ALL DIM P HEIGHT OPTIONS - SELECT GOLD IN CONTACT AREA: 30 MICROINCH MINIMUM  
DIM P HEIGHT OPTIONS 2.0 & 2.5: SELECT GOLD FLASH ON TAIL, 7 MICROINCH MINIMUM  
DIM P HEIGHT OPTIONS 3.0 THRU 7.0: SELECT TIN ON TAIL, 50 MICROINCH MINIMUM  
ALL OPTIONS - NICKEL UNDERPLATE OVERALL ON TAIL
  - PRODUCT SPECIFICATION: PS-45970-001
  - PACKAGING SPECIFICATION: PK-45971-002 (TAPE AND REEL)
  - MATES WITH SEARAY RECEPTACLE ASSEMBLY SERIES 45971
  - APPLICATION SPECIFICATION; AS-45970-001
  - COSMETIC SPECIFICATION: PS-45499-002 CLASS B
  - PART STATUS: CONTACT MOLEX



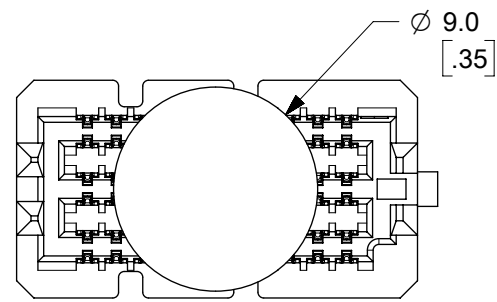
POSITIONS	TOTAL NUMBER OF EDGE NOTCHES		Symbol
	8 ROW	6 AND 10 ROW	
10	4	4	0.15/.006
15	6	6	
20	10	10	
25	12	12	
30	14	14	
35	16	16	0.23/.009
40	18	20	
45	22	22	
50	24	24	



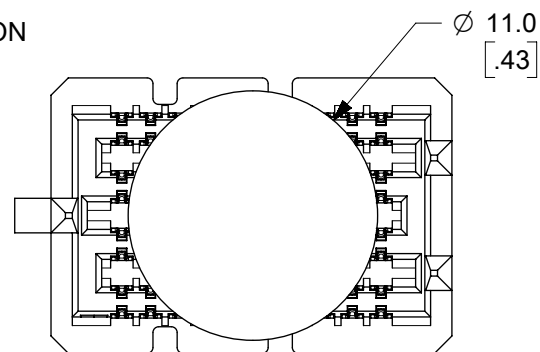
SEE OTHER EDGE NOTCHING VIEWS

SEE SHEET 3  
FOR 6 ROW OPTION

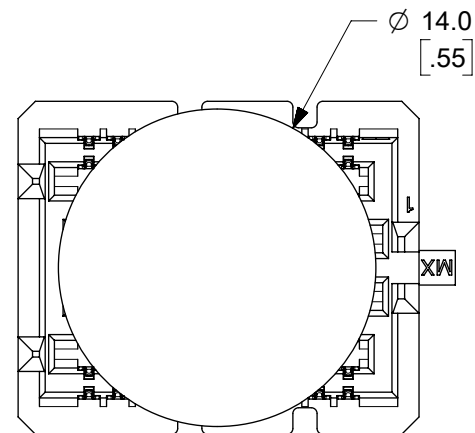
<b>QUALITY SYMBOLS</b> 	THIS DRAWING CONTAINS INFORMATION THAT IS PROPRIETARY TO MOLEX ELECTRONIC TECHNOLOGIES, LLC AND SHOULD NOT BE USED WITHOUT WRITTEN PERMISSION						
	2017/03/28 2017/06/14 2017/06/16 2017/06/16	GENERAL TOLERANCES (UNLESS SPECIFIED)		DIMENSION UNITS		SCALE	<b>SEARAY PLUG ASSEMBLY 1.27/.050 CENTERS</b>
				MM/IN		3:1	
		4 PLACES ±	±	DRWN BY		DATE	
3 PLACES ±	±	TGREGORI	2005/01/27				
2 PLACES ±	± 0.25	± 0.015	CHK'D BY	DATE	<b>PRODUCT CUSTOMER DRAWING</b>		
1 PLACES ±	± 0.38	±	BBARKER	2014/08/07			
0 PLACES ±	±	±	APPR BY	DATE			
JCOMERCI	2010/03/05	DRAWING SIZE		THIRD ANGLE PROJECTION			
ANGULAR TOL ±			<b>B</b>		SERIES: 45970 MATERIAL NUMBER: SEE TABLES CUSTOMER: GENERAL MARKET		
DRAFT WHERE APPLICABLE MUST REMAIN WITHIN DIMENSIONS					DOCUMENT NUMBER: SD-45970-001 DOC TYPE: PSD DOC PART: 001 SHEET NUMBER: 1 OF 6		



6 ROW OPTION

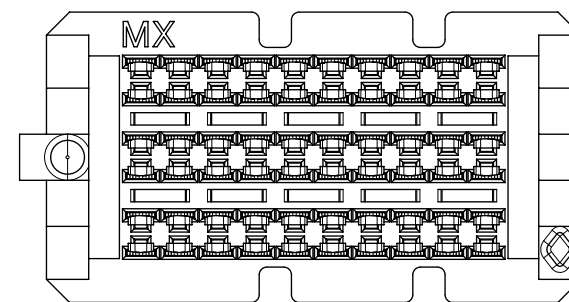
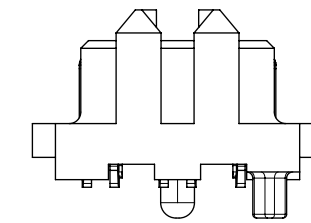
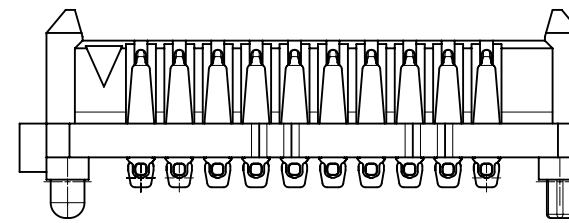
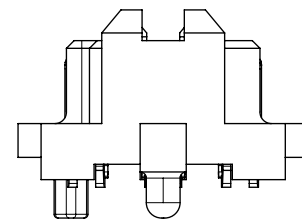
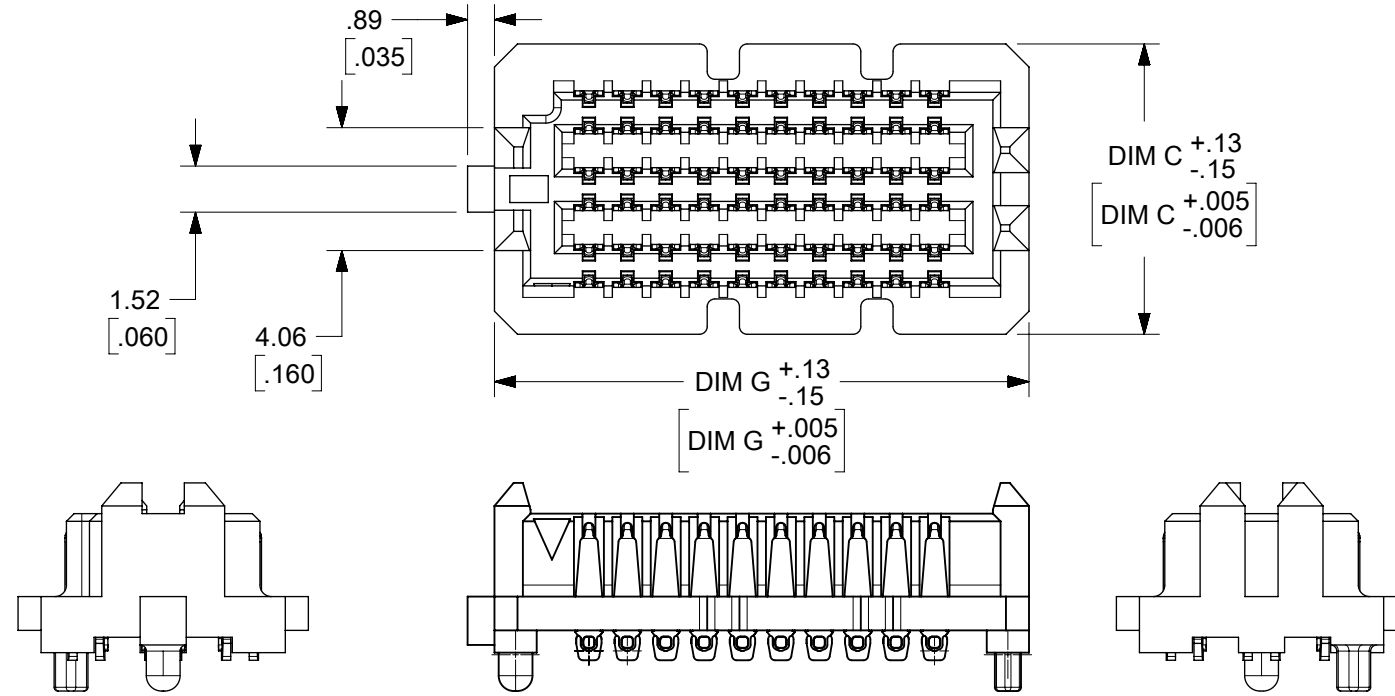


8 ROW OPTION



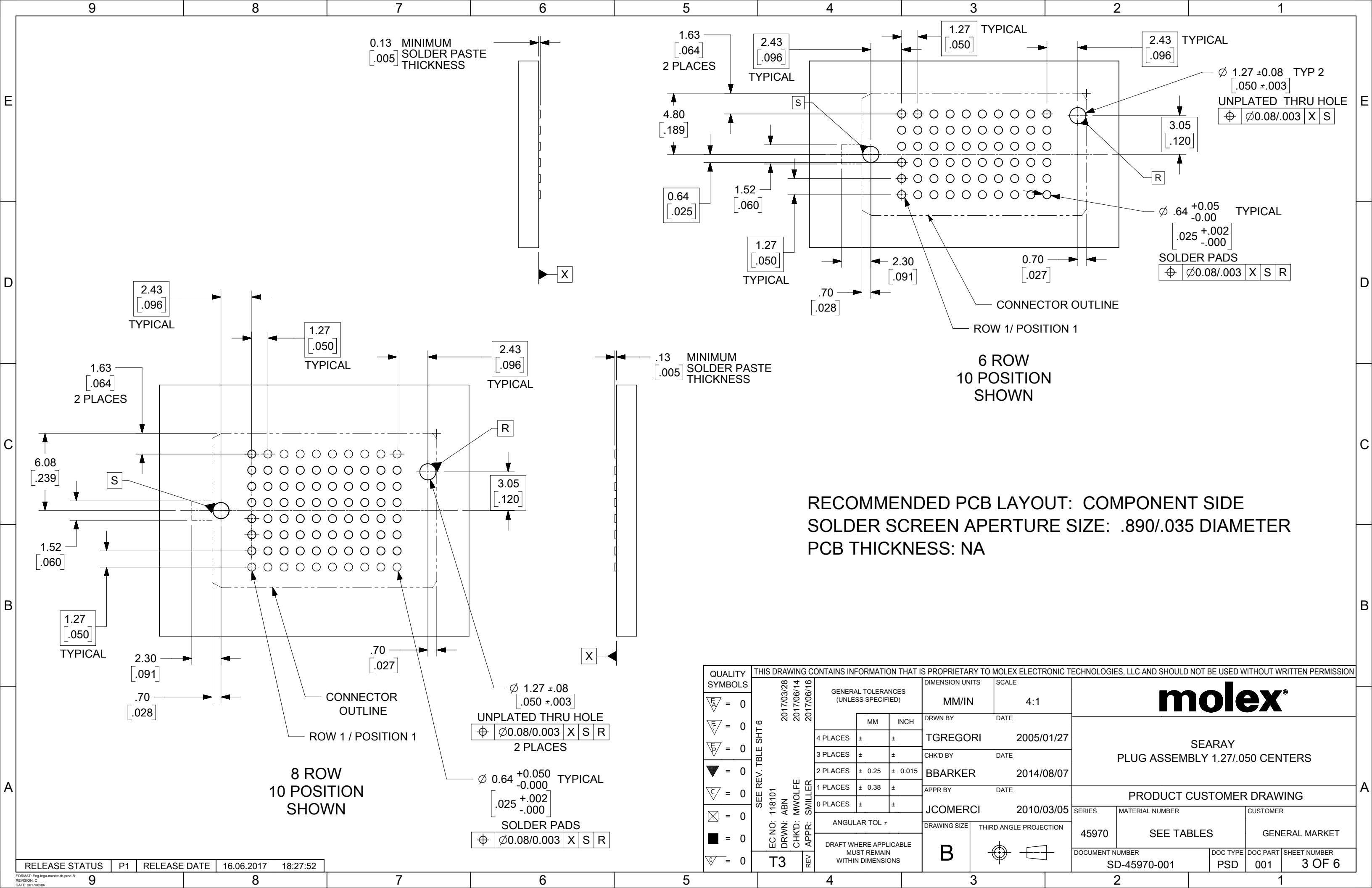
10 ROW OPTION

PICK AND PLACE  
PAD DIAMETERS  
10 POSITION VERSIONS SHOWN



6 ROW OPTION  
10 POSITION VERSION  
SHOWN FOR REFERENCE  
DIMENSIONS SHOWN ON  
OTHER SHEETS APPLY TO  
THE 6 ROW OPTION ALSO  
(EXCEPT AS OTHERWISE  
NOTED ON THIS SHEET)

THIS DRAWING CONTAINS INFORMATION THAT IS PROPRIETARY TO MOLEX ELECTRONIC TECHNOLOGIES, LLC AND SHOULD NOT BE USED WITHOUT WRITTEN PERMISSION										
QUALITY SYMBOLS	SEE REV. TBLE SHT 6 EC NO: 118101 DRWN: ABN CHK'D: MWOLFE REV APPR: SMILLER	GENERAL TOLERANCES (UNLESS SPECIFIED)		DIMENSION UNITS	SCALE					
			MM	INCH	MM/IN					3:1
$\nabla$ = 0		4 PLACES	±	±	DRWN BY	DATE	SEARAY PLUG ASSEMBLY 1.27/.050 CENTERS			
$\nabla$ = 0		3 PLACES	±	±	TGREGORI	2005/01/27				
$\nabla$ = 0		2 PLACES	± 0.25	± 0.015	CHK'D BY	DATE	PRODUCT CUSTOMER DRAWING			
$\nabla$ = 0		1 PLACES	± 0.38	±	BBARKER	2014/08/07				
$\nabla$ = 0		0 PLACES	±	±	APPR BY	DATE	SERIES: 45970 MATERIAL NUMBER: SEE TABLES CUSTOMER: GENERAL MARKET			
$\nabla$ = 0		ANGULAR TOL ±		DRAWING SIZE	THIRD ANGLE PROJECTION					
$\nabla$ = 0		DRAFT WHERE APPLICABLE MUST REMAIN WITHIN DIMENSIONS		B						



0.13 MINIMUM  
[.005] SOLDER PASTE  
THICKNESS

1.63  
[.064]  
2 PLACES

2.43  
[.096]  
TYPICAL

1.27  
[.050]  
TYPICAL

2.43  
[.096]  
TYPICAL

Ø 1.27 ±0.08 TYP 2  
[.050 ±.003]  
UNPLATED THRU HOLE  
⊕ Ø0.08/0.003 X S

Ø .64 +0.05  
-0.00 TYPICAL  
[.025 +.002  
-.000]  
SOLDER PADS  
⊕ Ø0.08/0.003 X S R

6 ROW  
10 POSITION  
SHOWN

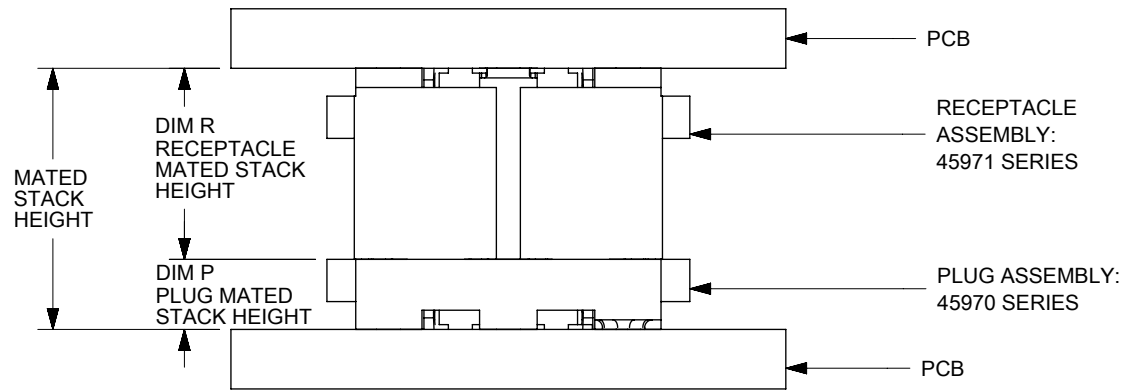
RECOMMENDED PCB LAYOUT: COMPONENT SIDE  
SOLDER SCREEN APERTURE SIZE: .890/.035 DIAMETER  
PCB THICKNESS: NA

8 ROW  
10 POSITION  
SHOWN

Ø 1.27 ±.08  
[.050 ±.003]  
UNPLATED THRU HOLE  
⊕ Ø0.08/0.003 X S R  
2 PLACES

Ø .64 +0.050  
-0.000 TYPICAL  
[.025 +.002  
-.000]  
SOLDER PADS  
⊕ Ø0.08/0.003 X S R

<b>QUALITY SYMBOLS</b> ▽ = 0 ▽ = 0 ▽ = 0 ▽ = 0 ▽ = 0 ▽ = 0 ▽ = 0 ▽ = 0 ▽ = 0 ▽ = 0	THIS DRAWING CONTAINS INFORMATION THAT IS PROPRIETARY TO MOLEX ELECTRONIC TECHNOLOGIES, LLC AND SHOULD NOT BE USED WITHOUT WRITTEN PERMISSION										
	SEE REV. TBLE SHT 6 EC NO: 118101 DRWN: ABN CHK'D: MWOLFE REV APPR: SMILLER	2017/03/28		2017/06/14		2017/06/16		GENERAL TOLERANCES (UNLESS SPECIFIED)		DIMENSION UNITS	SCALE
										MM/IN	4:1
										DRWN BY	DATE
									TGREGORI	2005/01/27	
									CHK'D BY	DATE	
									BBARKER	2014/08/07	
									APPR BY	DATE	
									JCOMERCI	2010/03/05	
									DRAWING SIZE	THIRD ANGLE PROJECTION	
								B			
								PRODUCT CUSTOMER DRAWING SERIES: 45970 MATERIAL NUMBER: SEE TABLES CUSTOMER: GENERAL MARKET			
								DOCUMENT NUMBER: SD-45970-001 DOC TYPE: PSD DOC PART: 001 SHEET NUMBER: 3 OF 6			



STACK HEIGHTS  
GIVEN IN MILLIMETERS (MM) FOR REFERENCE ONLY

DIM P PLUG STACK HEIGHT	MM	DIM R RECEPTACLE STACK HEIGHT					
		5.0	6.0	6.5	7.5	8.0	
2.0	7.0	8.0	8.5	9.5	10.0		
3.0	8.0	9.0	9.5	10.5	11.0		
3.5	8.5	9.5	10.0	11.0	11.5		
2.5	7.5	8.5	9.0	10.0	10.5		
4.5	9.5	10.5	11.0	12.0	12.5		
5.0	10.0	11.0	11.5	12.5	13.0		
7.0	12.0	13.0	13.5	14.5	15.0		
9.0	14.0	15.0	15.5	16.5	17.0		

MATED STACK HEIGHTS  
GIVEN IN MILLIMETERS (MM) FOR REFERENCE ONLY

ROWS: 6 DIMENSION C = 9.60/.378

DIM P:	2.0 MM	3.0 MM	3.5 MM	2.5 MM	4.5 MM	5.0 MM	7.0 MM
DIM H:	5.61/.221	6.60/.260	7.11/.280	6.12/.241	8.10/.319	8.61/.339	10.61/.418
DIM S:	5.86/.231	6.85/.270	7.36/.290	6.37/.251	8.35/.329	8.86/.349	10.86/.428
POSITION	DIM G	MATERIAL NO	MATERIAL NO	MATERIAL NO	MATERIAL NO	MATERIAL NO	MATERIAL NO
10	17.69/0.698	45970-1165	45970-1265	45970-1365	45970-1465	45970-1565	45970-1765
20	30.39/1.198	45970-2165	45970-2265	45970-2365	45970-2465	45970-2565	45970-2765
30	43.09/1.698	45970-3165	45970-3265	45970-3365	45970-3465	45970-3565	45970-3765
40	55.79/2.198	45970-4165	45970-4265	45970-4365	45970-4465	45970-4565	45970-4765
50	68.49/2.698	45970-5165	45970-5265	45970-5365	45970-5465	45970-5565	45970-5765
15	24.04/0.948	45970-6165	45970-6265	45970-6365	45970-6465	45970-6565	45970-6765
25	36.74/1.448	45970-7165	45970-7265	45970-7365	45970-7465	45970-7565	45970-7765
35	49.44/1.948	45970-8165	45970-8265	45970-8365	45970-8465	45970-8565	45970-8765
45	62.14/2.448	45970-9165	45970-9265	45970-9365	45970-9465	45970-9565	45970-9765

MATING STACK HEIGHTS (DIMENSION P)  
GIVEN IN MILLIMETERS (MM) FOR REFERENCE ONLY

<b>QUALITY SYMBOLS</b> 	THIS DRAWING CONTAINS INFORMATION THAT IS PROPRIETARY TO MOLEX ELECTRONIC TECHNOLOGIES, LLC AND SHOULD NOT BE USED WITHOUT WRITTEN PERMISSION													
	SEE REV. TBLE SHT 6 EC NO: 118101 DRWN: ABN CHK'D: MWOLFE REV APPR: SMILLER	GENERAL TOLERANCES (UNLESS SPECIFIED)		DIMENSION UNITS <b>MM/IN</b>		SCALE <b>4:1</b>		 <b>SEARAY</b> PLUG ASSEMBLY 1.27/.050 CENTERS						
		4 PLACES ±    ±		DRWN BY <b>TGREGORI</b>		DATE <b>2005/01/27</b>								
		3 PLACES ±    ±		CHK'D BY <b>BBARKER</b>		DATE <b>2014/08/07</b>								
	2 PLACES ± 0.25    ± 0.015		APPR BY <b>JCOMERCI</b>		DATE <b>2010/03/05</b>		<b>PRODUCT CUSTOMER DRAWING</b>							
	1 PLACES ± 0.38    ±		ANGULAR TOL ±		DRAWING SIZE <b>B</b>		THIRD ANGLE PROJECTION		SERIES <b>45970</b>		MATERIAL NUMBER <b>SEE TABLES</b>		CUSTOMER <b>GENERAL MARKET</b>	
	0 PLACES ±    ±		DRAFT WHERE APPLICABLE MUST REMAIN WITHIN DIMENSIONS				DOCUMENT NUMBER <b>SD-45970-001</b>		DOC TYPE <b>PSD</b>		DOC PART <b>001</b>		SHEET NUMBER <b>4 OF 6</b>	



REV	DATE	DESCRIPTION
T3	2017/03/28	MIGRATED TO ECTR / NX
	2017/06/09	ADDED RECOMMENDED PCB LAYOUT FOR 8 ROW ASSEMBLIES ON SHEET 3, UPDATED VIEWS SHEET 1, SHIFTED TABLES TO NEXT SHEETS.

THIS DRAWING CONTAINS INFORMATION THAT IS PROPRIETARY TO MOLEX ELECTRONIC TECHNOLOGIES, LLC AND SHOULD NOT BE USED WITHOUT WRITTEN PERMISSION																
<b>QUALITY SYMBOLS</b> 	SEE REV. TBLE SHT 6  EC NO: 118101 DRWN: ABN CHKD: MWOLFE APPR: SMILLER	2017/03/28 2017/06/14 2017/06/16	<b>GENERAL TOLERANCES (UNLESS SPECIFIED)</b>		<b>DIMENSION UNITS</b> <b>MM</b>	<b>SCALE</b> <b>1:1</b>										
			<b>ANGULAR TOL ± °</b>		<b>DRWN BY</b> <b>TPREMO</b>	<b>DATE</b> <b>2016/02/15</b>						<b>SEARAY PLUG ASSEMBLY 1.27/.050 CENTERS</b>				
			4 PLACES ±	<b>CHK'D BY</b> <b>PTEO</b>	<b>DATE</b> <b>2016/02/16</b>	<b>PRODUCT CUSTOMER DRAWING</b>										
			3 PLACES ±	<b>APPR BY</b> <b>DMCGOWAN</b>	<b>DATE</b> <b>2016/02/16</b>						<b>SERIES</b> <b>45970</b>					
			2 PLACES ± 0.25	<b>DRAFT WHERE APPLICABLE MUST REMAIN WITHIN DIMENSIONS</b>		<b>DRAWING SIZE</b> <b>B</b>	<b>THIRD ANGLE PROJECTION</b> 	<b>DOCUMENT NUMBER</b> <b>SD-45970-001</b>	<b>DOC TYPE</b> <b>PSD</b>	<b>DOC PART</b> <b>001</b>	<b>SHEET NUMBER</b> <b>6 OF 6</b>					
			1 PLACE ± 0.38	<b>T3</b>	<b>REV</b>											
			0 PLACES ±													
			□ = 0													
			■ = 0													
			▽ = 0													

RELEASE STATUS	P1	RELEASE DATE	16.06.2017	18:27:52
----------------	----	--------------	------------	----------