

THIS DRAWING IS UNPUBLISHED.

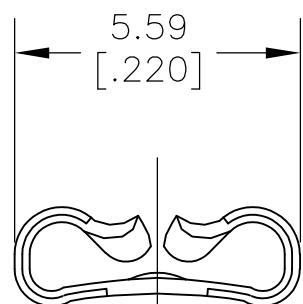
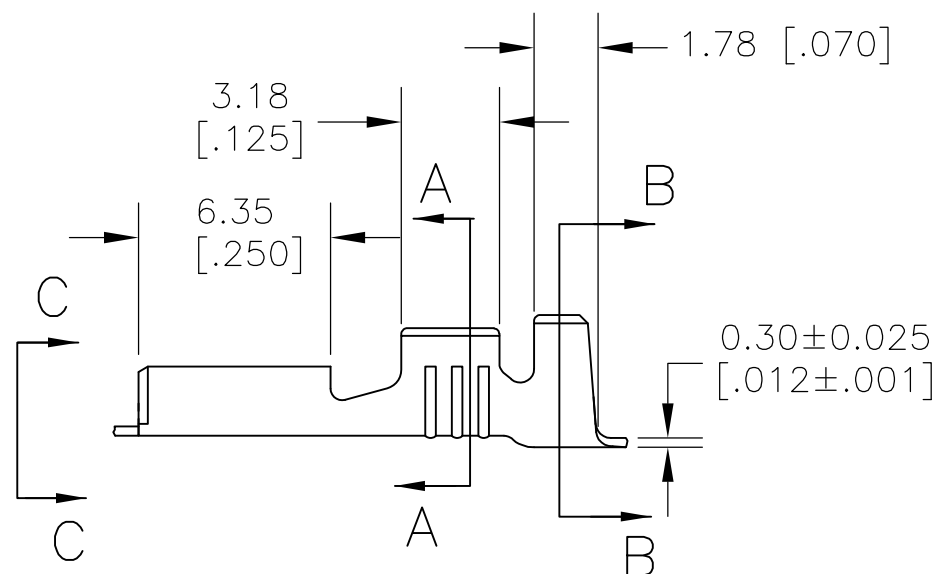
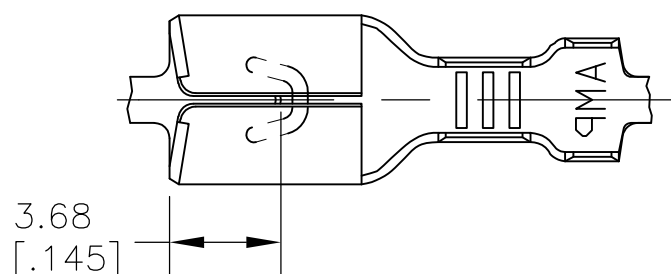
RELEASED FOR PUBLICATION

ALL RIGHTS RESERVED.

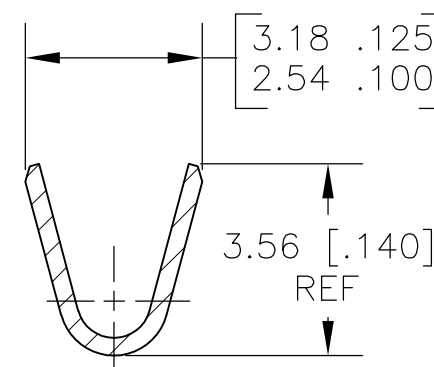
© COPYRIGHT - By -

LOC	DIST	REVISIONS					
		P	LTR	DESCRIPTION	DATE	DWN	APVD
-	-		A2	REVISED PER ECR-12-007832	30APR12	HMR	PD

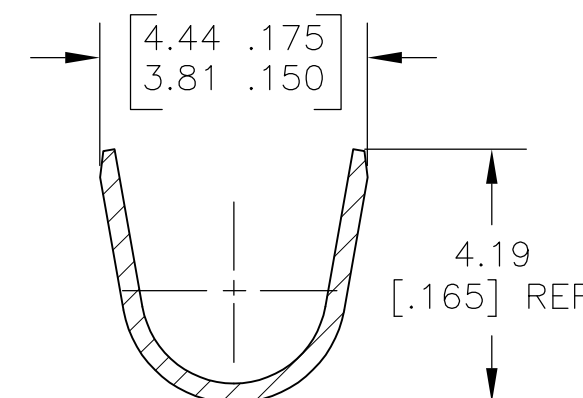
- 1 CONTINUOUS STRIP ON REELS.
- 2 WIRE SIZE #20-#16 AWG
- 3 INSULATION RANGE 2.29-3.30 [.090-.130] DIA
- 4 MATING TAB THK 0.30±0.025 [.012±.001]



VIEW C-C  
SCALE 8:1



SECTION A-A  
SCALE 8:1



SECTION B-B  
SCALE 8:1

1742883-1

PART NO

THIS DRAWING IS A CONTROLLED DOCUMENT.		DWN jr_ruth 03MAR11	<b>TE Connectivity</b>														
DIMENSIONS: MM [ INCHES ]		CHK PETE_DESANTIS 03MAR11															
TOLERANCES UNLESS OTHERWISE SPECIFIED:		APVD PETE_DESANTIS 03MAR11	NAME RECEPTACLE , FASTON, .187 SERIES														
<table border="0"> <tr><td>0 PLC</td><td>± -</td></tr> <tr><td>1 PLC</td><td>± -</td></tr> <tr><td>2 PLC</td><td>± 0.25 [.010]</td></tr> <tr><td>3 PLC</td><td>± -</td></tr> <tr><td>4 PLC</td><td>± -</td></tr> <tr><td>ANGLES</td><td>± 5°</td></tr> </table>		0 PLC	± -	1 PLC	± -	2 PLC	± 0.25 [.010]	3 PLC	± -	4 PLC	± -	ANGLES	± 5°	PRODUCT SPEC -	SIZE A3		
0 PLC	± -																
1 PLC	± -																
2 PLC	± 0.25 [.010]																
3 PLC	± -																
4 PLC	± -																
ANGLES	± 5°																
MATERIAL CR STEEL		FINISH NICKEL PLATE	APPLICATION SPEC -	CAGE CODE 00779	DRAWING NO C-1742883												
CUSTOMER DRAWING			WEIGHT -	RESTRICTED TO -	SCALE 4:1												
			SHEET 1 OF 1		REV A2												