

Specifications

Material

Insulator: High Temp. Plastic UL 94V-0, Black
 Contact: Copper Alloy
 Shell(including pegs): Stainless Steel

Plating

Contact: 30µ" Gold
 Shell: 50µ"-80µ" Nickel over all

Electrical

Current Rating: Signal (Pins 2,3,4): 1.0A
 Power (Pins 1,5): 1.8A
 Voltage Rating: 30V AC
 Contact Resistance: 30mΩ max.
 Dielectric Withstanding Voltage: 100V AC
 Insulation Resistance: 1000MΩ min. 100V DC

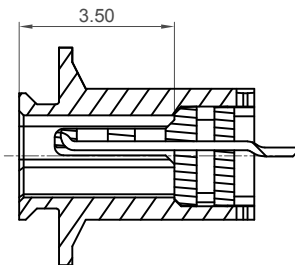
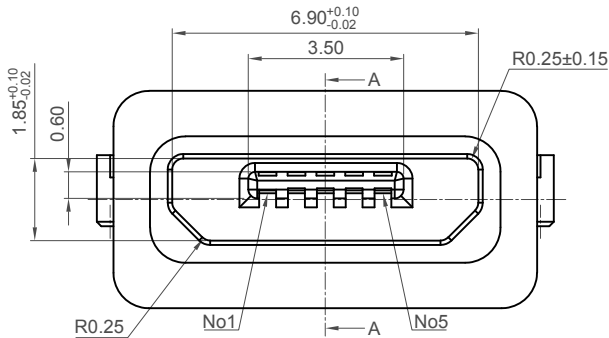
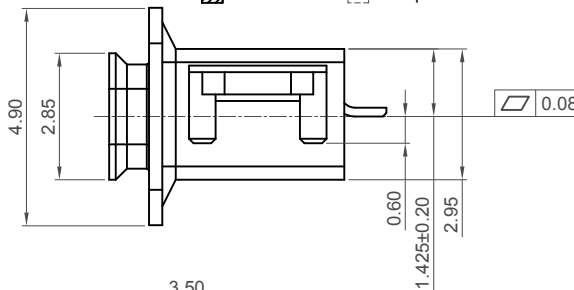
Mechanical & Environmental

Operating Temperature: -30°C to +85°C
 Mating Force: 35N max.
 Unmated Force: 8N to 25N
 Durability: 10,000 cycles
 Ingress Protection Rating: IP67

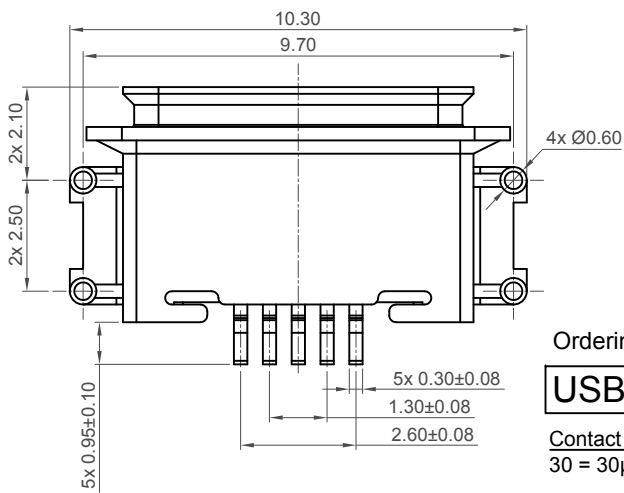
Recommended PCB Layout

As viewed from component side Tolerance: ±0.03mm
 Recommended PCB Thickness: 0.60mm

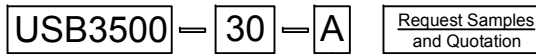
▨ Solder Area □ Component Outline



Section A-A



Ordering Grid



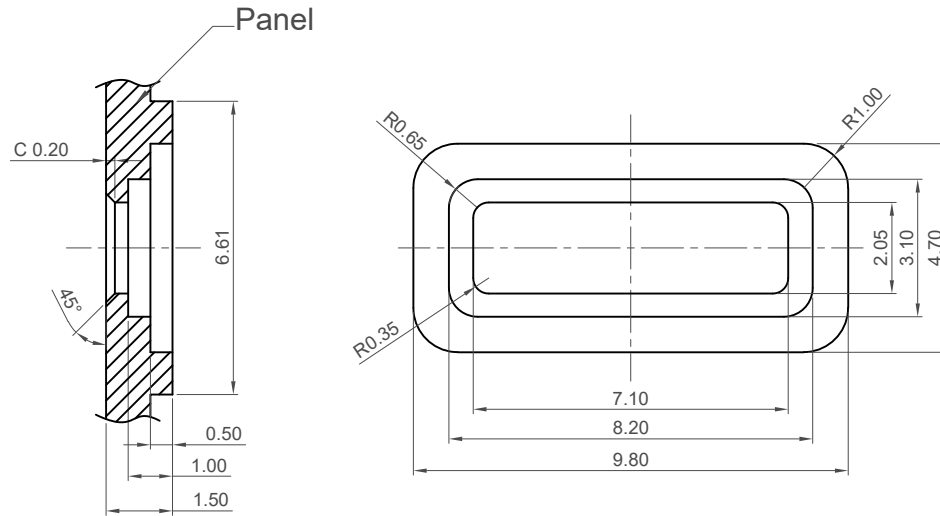
Contact Plating
 30 = 30µ" Gold

Packing Options
 A = Tape & Reel
 (1,000 per reel)

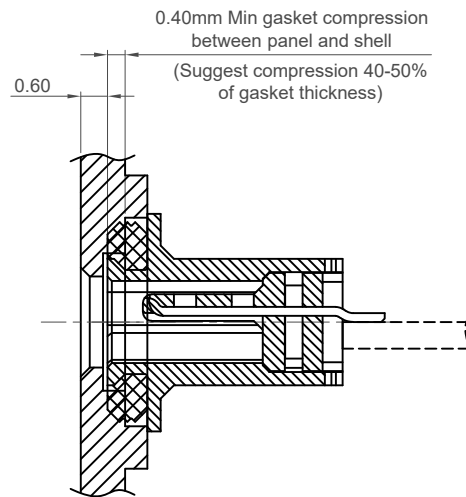
Part Number		Product Description	
USB3500		Micro USB Type B Receptacle, Mid-Mount, IP67	
Drawing Date		16th January 2019	
By	CC	Tolerances (Except as Noted)	Units:
Detail	Drawing Release	Length	Metric (mm)
Revision	A2	X. ± 0.50	
Date	20/12/19	X.X ± 0.30	
		X.XX ± 0.20	
		X.XXX ± 0.10	
		Angle	
		± 1°	This drawing is confidential and copyright of Global Connector Technology, Ltd (GCT). This drawing must not be copied or disclosed without written consent. E & OE



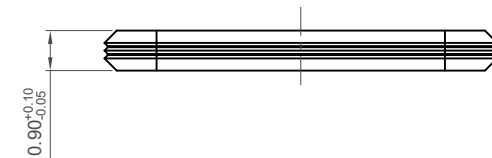
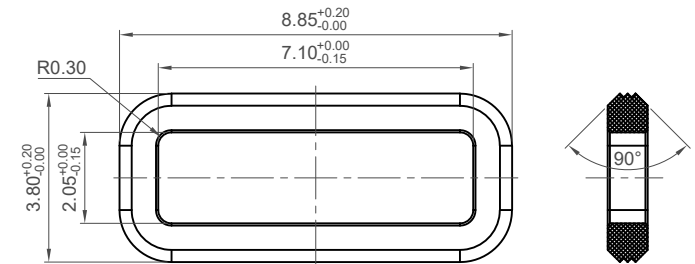
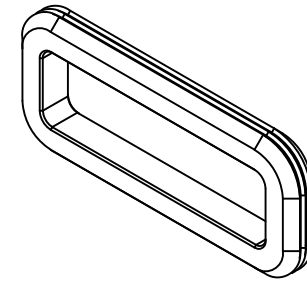
Not to Scale	Drawn By CC	Sheet No. 1/4
--------------	-------------	---------------



Recommended Panel Spec
Tolerance: $\pm 0.05\text{mm}$



(Suggest compression 40-50% of gasket thickness)



Recommended Waterproof Gasket
Gasket Part No.: USBTJ-02
(Gasket must be ordered separately)
(See separate datasheet for specification)

Part Number		Product Description	
USB3500		Micro USB Type B Receptacle, Mid-Mount, IP67	
Drawing Date		16th January 2019	
By	CC	Tolerances (Except as Noted)	Units:
Detail	Drawing Release	Length X. ± 0.50 X.X ± 0.30 X.XX ± 0.20 X.XXX ± 0.10	Metric (mm)
Revision	A2	Angle ± 1°	3rd Angle Projection
Date	20/12/19		

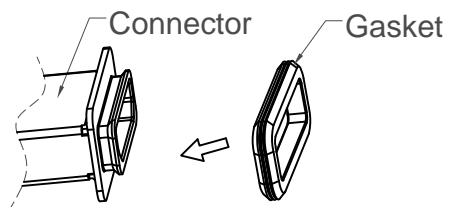


This drawing is confidential and copyright of Global Connector Technology, Ltd (GCT). This drawing must not be copied or disclosed without written consent. E & OE

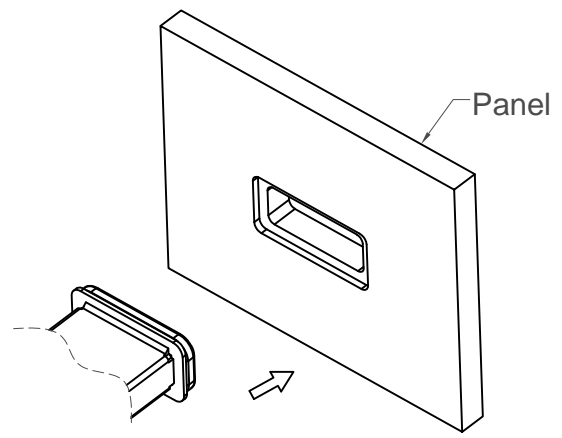


Not to Scale
Drawn By CC
Sheet No. 2/4

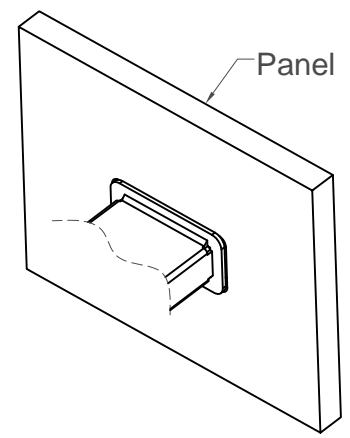
H
G
F
E
D
C
B
A



Step 1




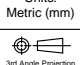


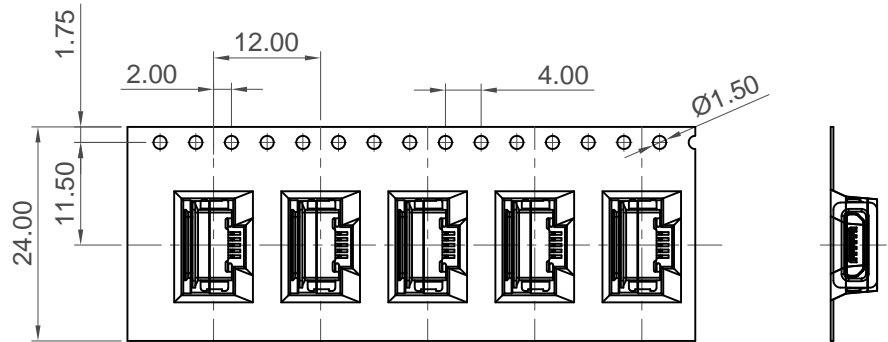
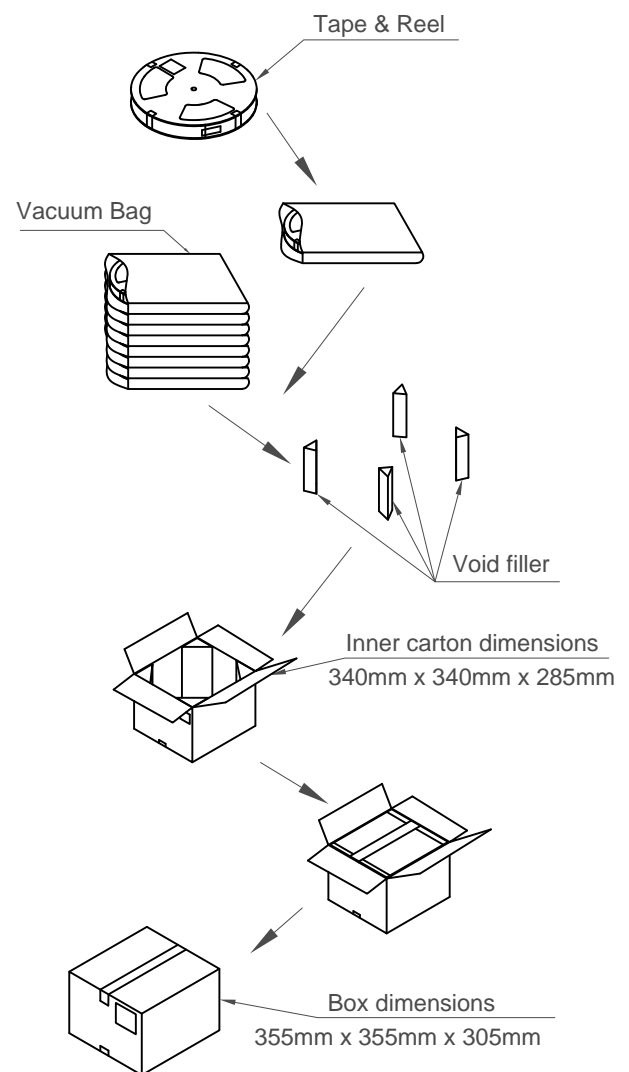
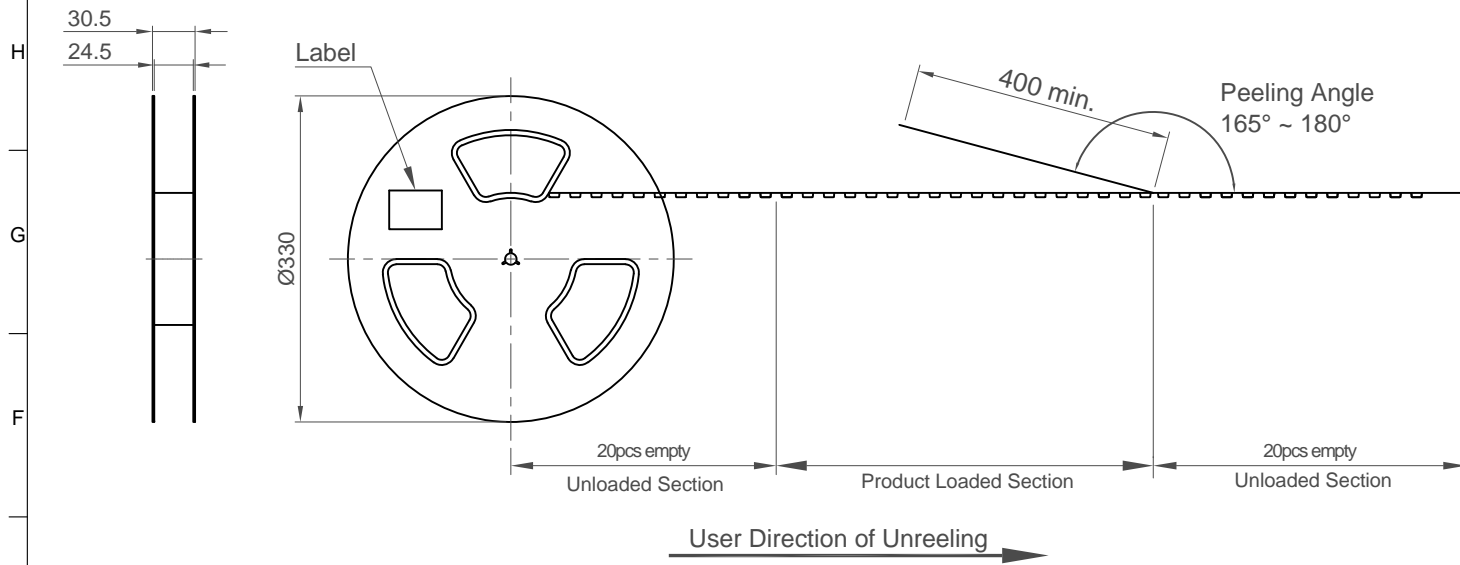
Step 2



Step 3

Assembly instruction for Gasket set after Reflow
Available for Micro USB Waterproof Series

Part Number		Product Description		 www.gct.co	
USB3500		Micro USB Type B Receptacle, Mid-Mount, IP67			
Drawing Date		16th January 2019			
By	CC	Tolerances (Except as Noted)	Units:	  <small>This drawing is confidential and copyright of Global Connector Technology, Ltd (GCT). This drawing must not be copied or disclosed without written consent. E & OE</small>	
Detail	Drawing Release				Length
Revision	A2	 <small>3rd Angle Projection</small>			
Date	20/12/19			Not to Scale	Drawn By
				CC	3/4



Pcs / Reel	Reels / Carton	Total Quantity
1000	9	9000

Notes:
Peeling off force of top tape: 0.1-1.3N (Peeling direction as shown)

Materials:
Carrier Tape: Polystyrene (PS)
Top Tape: PE
Reel Tape: Polystyrene (PS)
Bag: PE

Part Number USB3500		Product Description Micro USB Type B Receptacle, Mid-Mount, IP67	
Drawing Date 16th January 2019			
By CC	Detail Drawing Release	Tolerances (Except as Noted) Length	Units: Metric (mm)
Revision A2	Date 20/12/19	Angle	3rd Angle Projection



This drawing is confidential and copyright of Global Connector Technology, Ltd (GCT). This drawing must not be copied or disclosed without written consent. E & OE



Not to Scale	Drawn By CC	Sheet No. 4/4
--------------	----------------	------------------