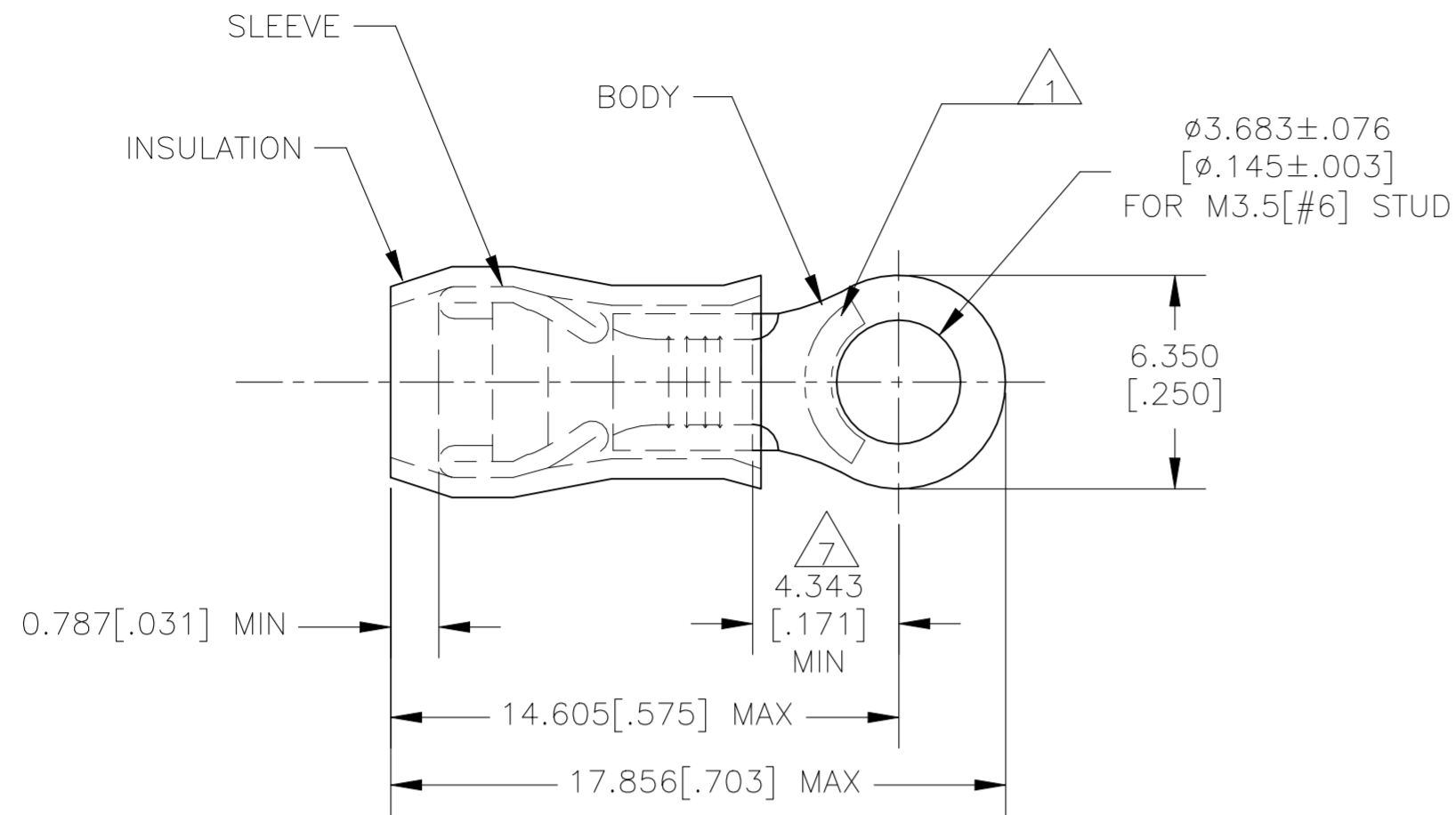
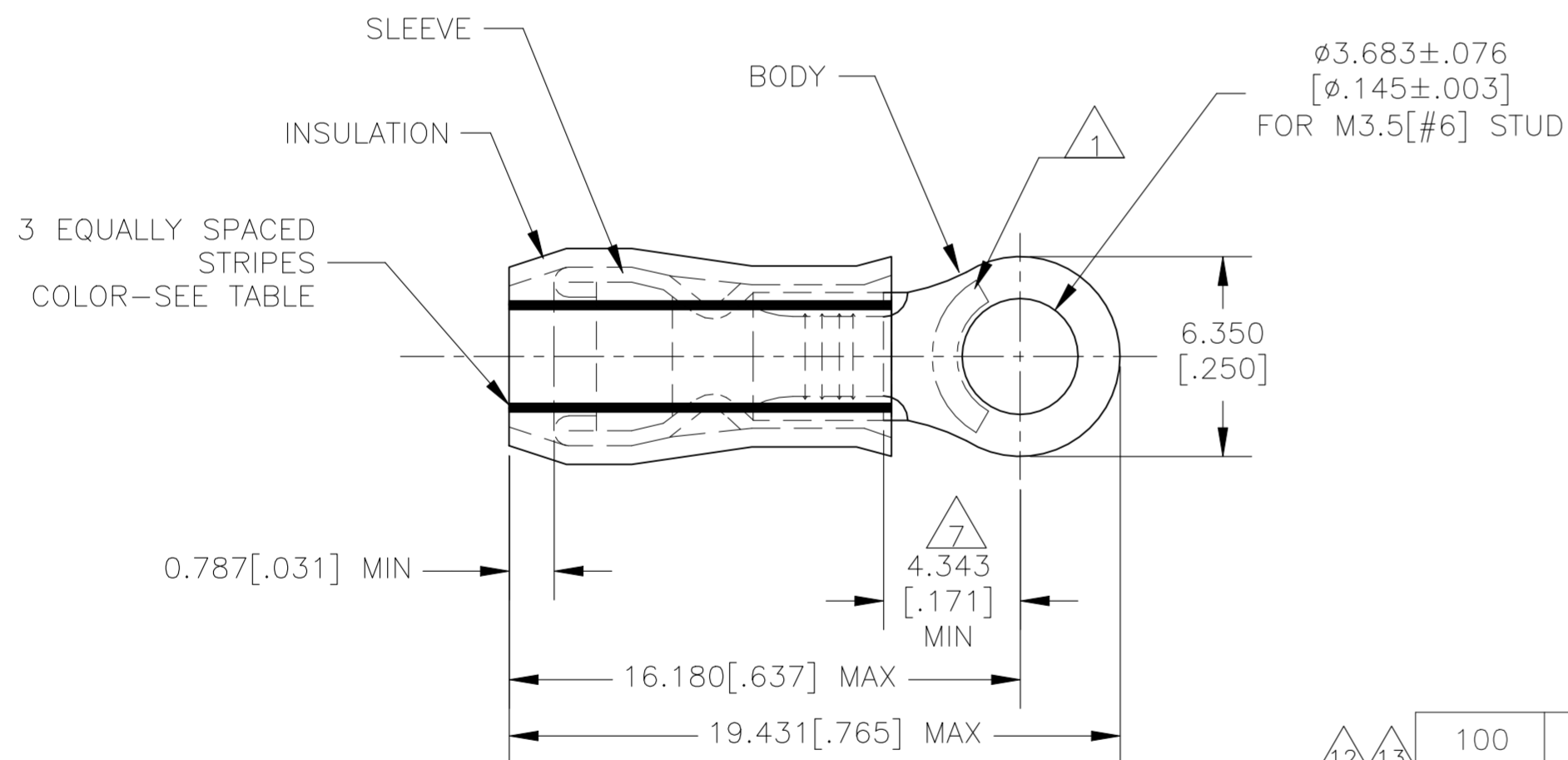


REVISIONS					
P	LTR	DESCRIPTION	DATE	DWN	APVD
P3		REVISED PER ECN-22-156403	03JUN2022	RK	CSD



STYLE A



STYLE B  
INSULATION RESTRICTING

<b>AMP</b> WIRE RANGE	E13288 Listed	LR7189 Certified
16-14 AWG SOLID OR STRANDED IR: STRANDED	16-14 AWG STRANDED	WIRE SIZE PER TABLE SOLID OR STRANDED IR: STRANDED

- 1 STAMP "AMP - SEE TABLE" APPROX AS SHOWN.
- 2 WIRE INSULATION DIA: SEE TABLE.
- 3 BODY MATERIAL THK: 0.787 [.031] ± 0.051 [.002].
- 4 BODY: TIN PLATE 0.00254 [.000100] MIN EXT THK PER ASTM B545.
- 5 SLEEVE: TIN PLATE 0.00254 [.000100] MIN EXT THK PER ASTM B545.
- 6 BODY & SLEEVE- CU PER ASTM B152  
INSULATION - NYLON PER ASTM D4066
- 7 APPLIES FROM EDGE OF METAL WIRE BARREL TO CENTER OF STUD HOLE.
- 8 MEETS MS25036-106, CLASS 1.
- 9 NOTE DELETED
- 10 MEETS M7928/1-39, CLASS 1.
- 11 MEETS M7928/1-48, CLASS 1.
- 12 UL LISTED
- 13 CSA CERTIFIED

QTY	PACKAGE TYPE	STAMPING	WIRE INSUL DIA	WIRE SIZE	STRIPE COLOR	STYLE	BODY FINISH	SLEEVE FINISH	PART NO
100	LOOSE PIECE, BOX	16-14*	2.667 [.105]-3.810 [.150]	16-14	--	A			8-320561-1
500	LOOSE PIECE	14*	1.981 [.078]-3.302 [.130]	14	GREEN	B			11 2-320561-4
500	LOOSE PIECE	16*	1.600 [.063]-3.302 [.130]	16	BLUE	B	4	5	10 2-320561-3
5000	320561 ON TAPE	16-14*	2.667 [.105]-3.810 [.150]	16-14	--	A			2-320561-2
500	LOOSE PIECE	16-14*	2.667 [.105]-3.810 [.150]	16-14	--	A			8 320561

<b>CUSTOMER SERVICE SYSTEMS</b>		MAX RECOMMENDED OPERATING TEMPERATURE: 105°C [221°F] MAX		THIS DRAWING IS A CONTROLLED DOCUMENT.		DWN JR RUTH 13JAN10		TE Connectivity	
FOR ADDITIONAL PRODUCT INFORMATION OR COPIES OF DRAWINGS AND TECHNICAL DOCUMENTS		PRODUCT INFORMATION CENTER 1-800-522-6752		DIMENSIONS: mm [INCHES]		CHK T MICHIELUTTI 13JAN10			
FOR APPLICATION TOOLING INFORMATION		TOOLING ASSISTANCE CENTER 1-800-722-1111		VOLTAGE RATING: 300 VOLT MAX		APVD T MICHIELUTTI 13JAN10		NAME	
FOR ORDER ENTRY		1-800-526-5142		CIRCULAR MIL AREA: 1.02-2.62mm² [2,050-5,180] STRANDED OR SOLID		PRODUCT SPEC UL 486 A-B		APPLICATION SPEC 114-2157	
THIS DRAWING IS A CONTROLLED DOCUMENT FOR AMP INCORPORATED. IT IS SUBJECT TO CHANGE AND THE CONTROLLING ENGINEERING ORGANIZATION SHOULD BE CONTACTED FOR THE LATEST REVISION.				MATERIAL		FINISH		SIZE CAGE CODE DRAWING NO	
				6		SEE TABLE INSULATION: COLOR BLUE		A2 00779 C=320561	
						WEIGHT		RESTRICTED TO	
						-		-	
						CUSTOMER DRAWING		SCALE 5:1 SHEET 1 OF 1 REV P3	

# Mouser Electronics

Authorized Distributor

Click to View Pricing, Inventory, Delivery & Lifecycle Information:

[TE Connectivity:](#)

[320561](#) [2-320561-3](#) [2-320561-4](#) [MS25036-106](#)