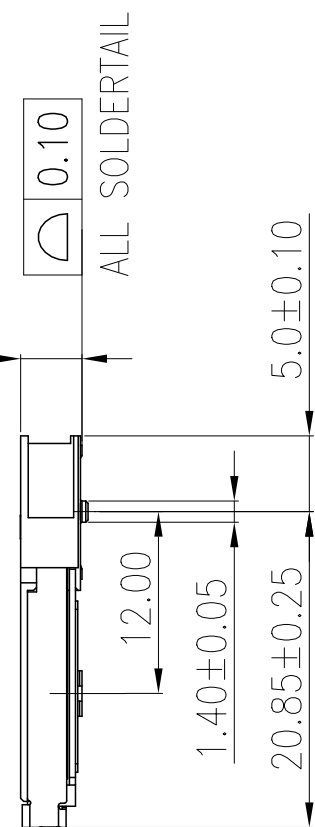
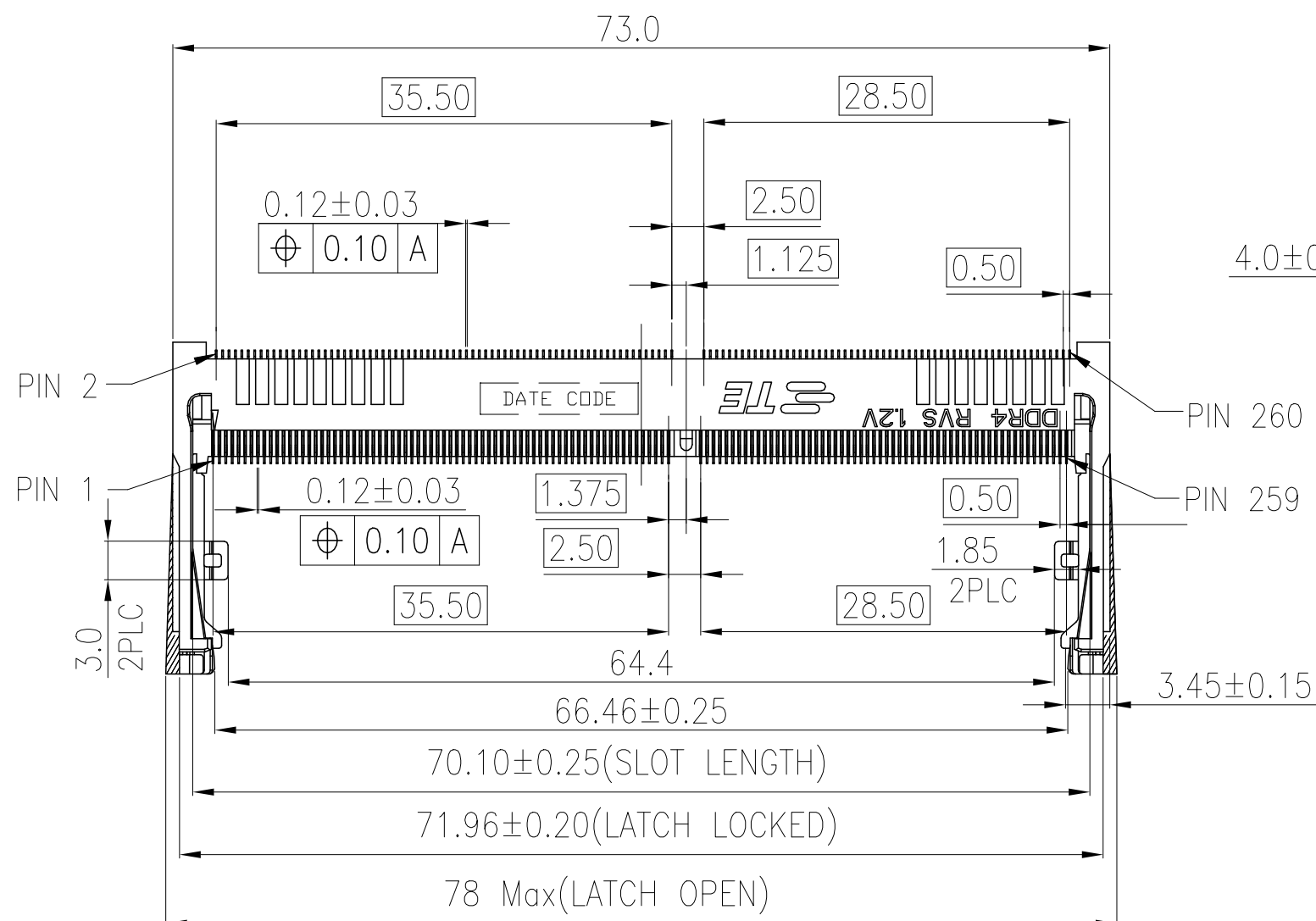
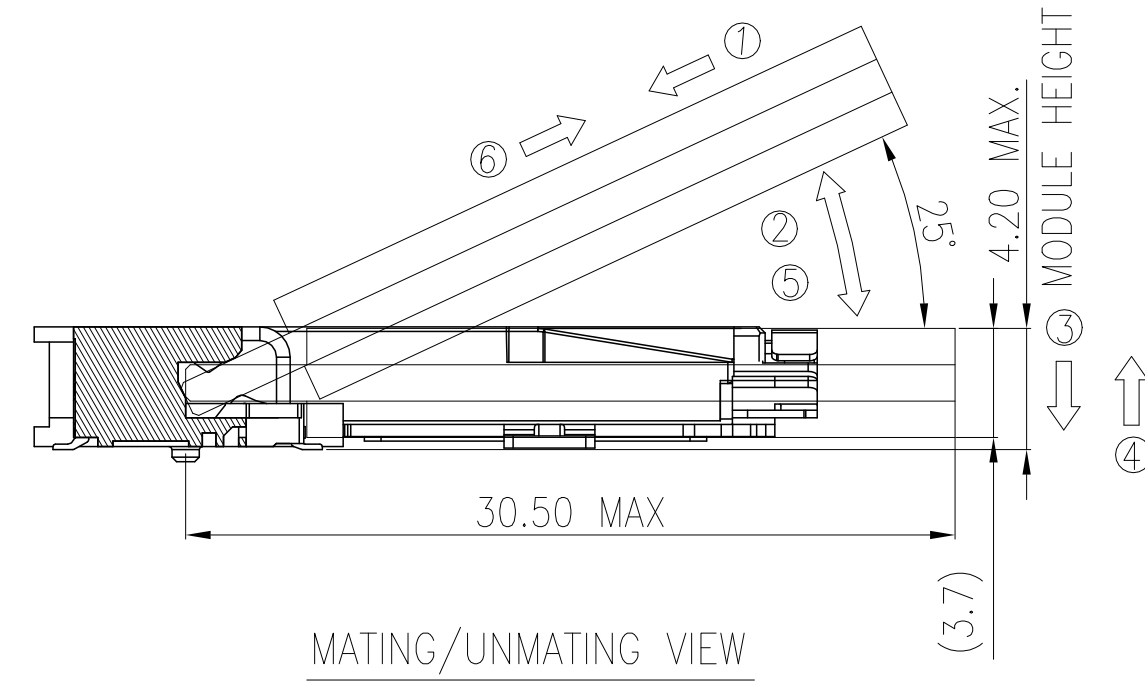
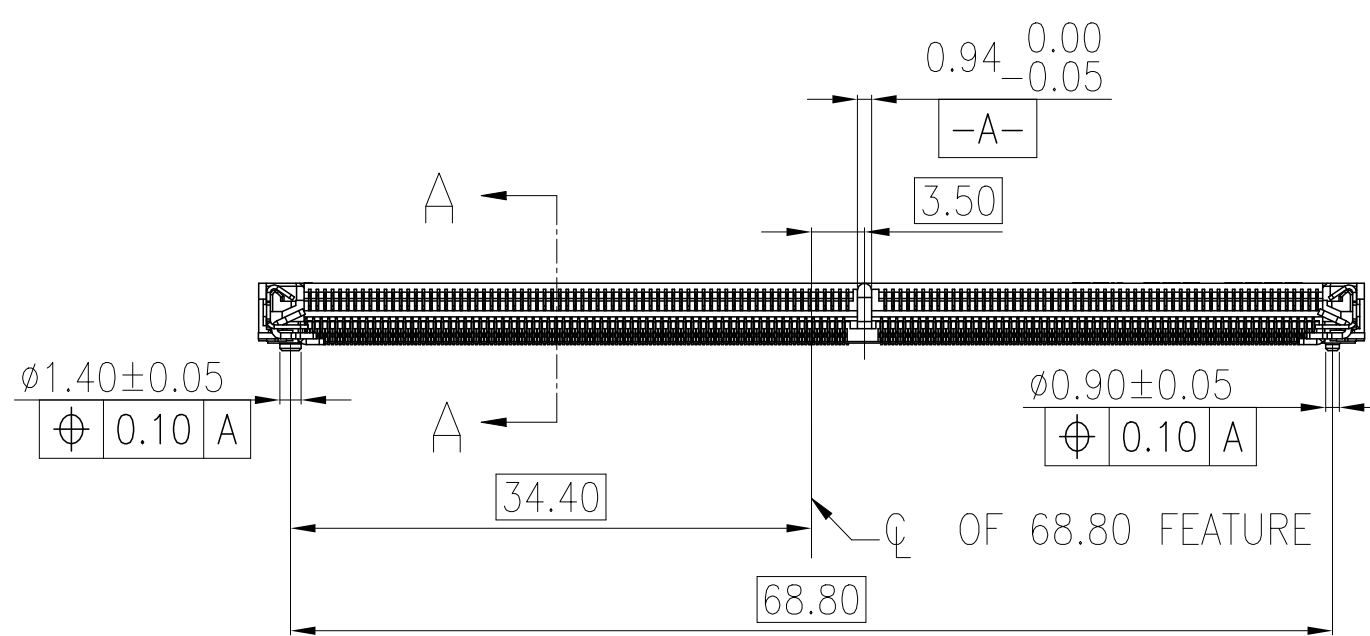


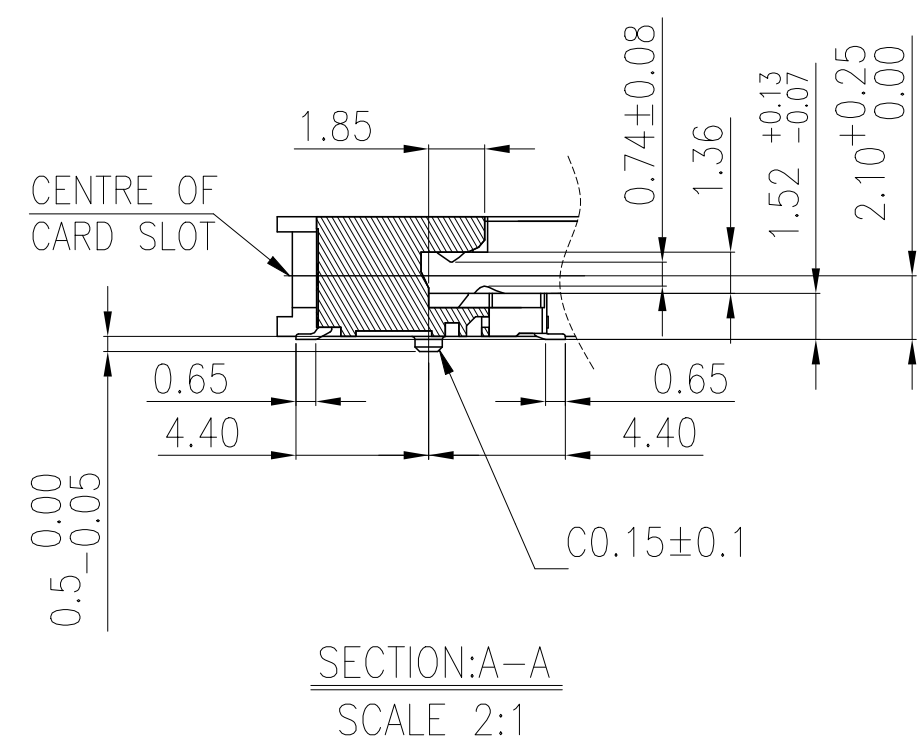
REVISIONS					
P	LTR	DESCRIPTION	DATE	DWN	APVD
4		CHANGE DIM 0.80 TO 0.74 +/-0.08	16NOV2020	SS	DZ



- NOTES:
- MATERIAL:
    - HOUSING: HIGH TEMPERATURE THERMO PLASTIC, UL94V-0, COLOR: BLACK.
    - CONTACT: COPPER ALLOY.
    - SOLDER PEG AND LATCH: STAINLESS STEEL.
  - FINISH:
    - SOLDER PEG: GOLD FLASH ON 50u" MIN NICKEL UNDERPLATED ALL OVER.
    - CONTACT SOLDER AREA: GOLD FLASH ON SOLDER TAIL.
    - CONTACT AREA: GOLD FLASH ON 50u" MIN NICKEL UNDERPLATED ALL OVER.
    - CONTACT AREA: 5u" ON 50u" MIN NICKEL UNDERPLATED ALL OVER.
    - CONTACT AREA: 10u" ON 50u" MIN NICKEL UNDERPLATED ALL OVER.
    - CONTACT AREA: 15u" ON 50u" MIN NICKEL UNDERPLATED ALL OVER.
    - CONTACT AREA: 30u" ON 50u" MIN NICKEL UNDERPLATED ALL OVER.
  - COPLANARITY: 0.10 MAX. (BEFORE SOLDERING)



- MATING: ① INSERTING (25°) → ② ROTATING → ③ FIXED  
 UNMATING: ④ UNFIXED → ⑤ ROTATING → ⑥ WITHDRAWING

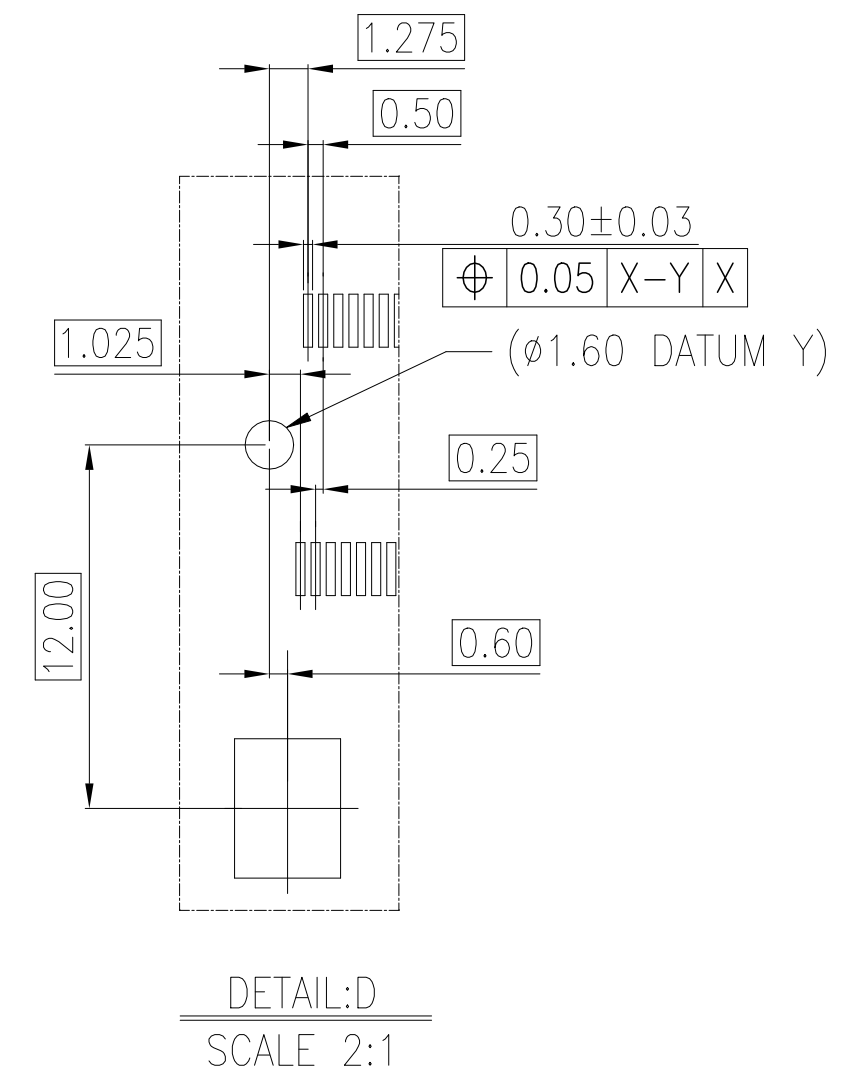
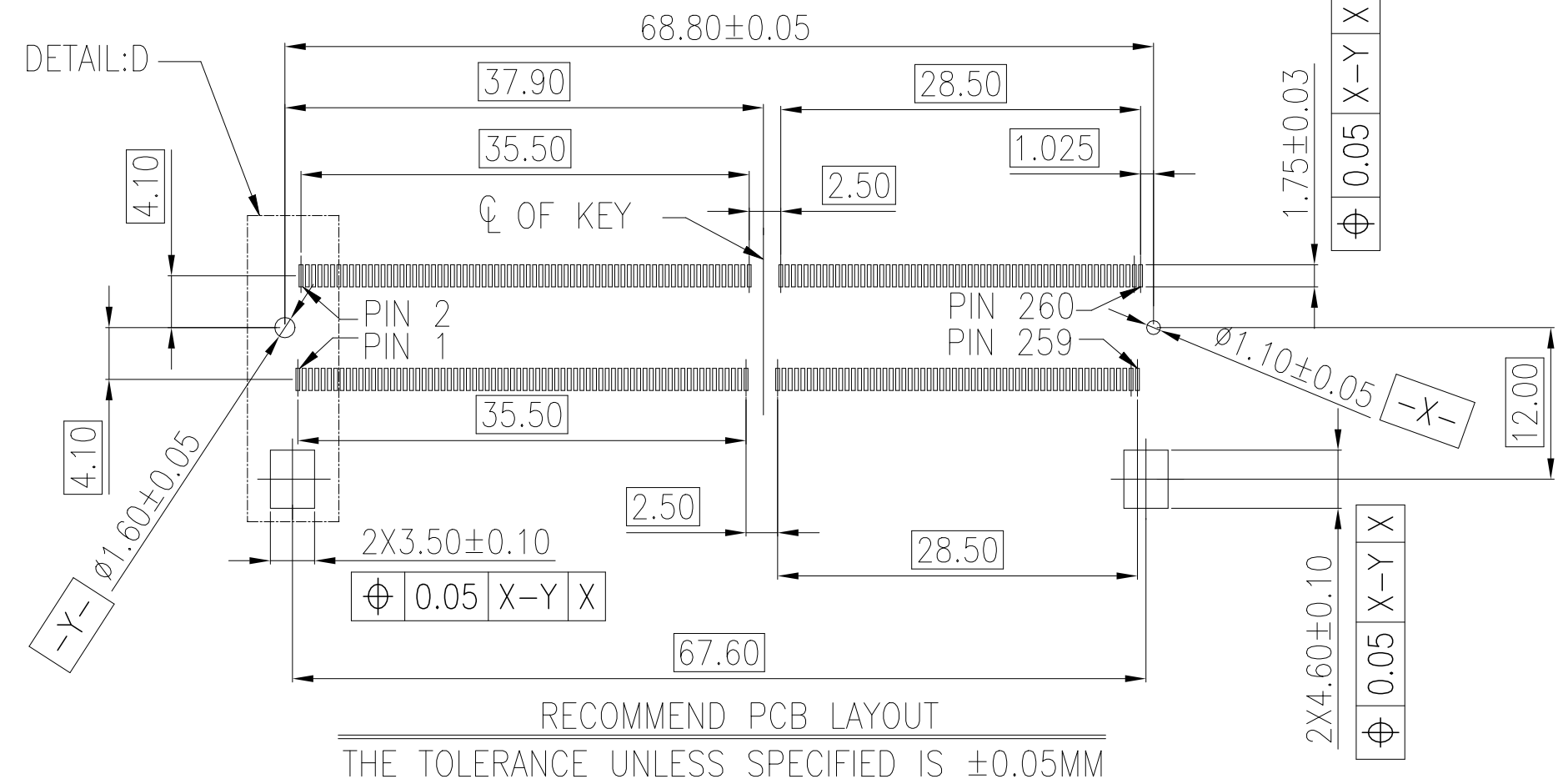
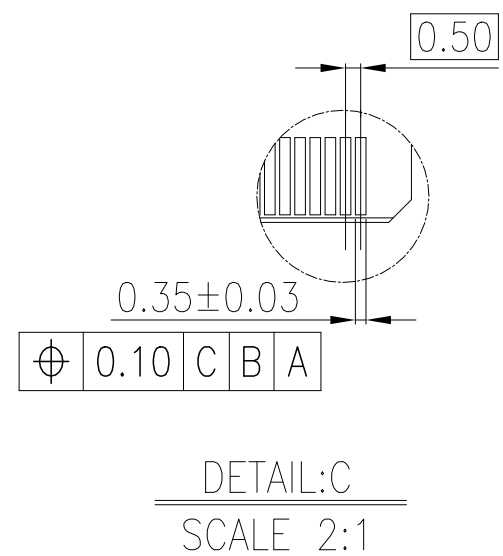
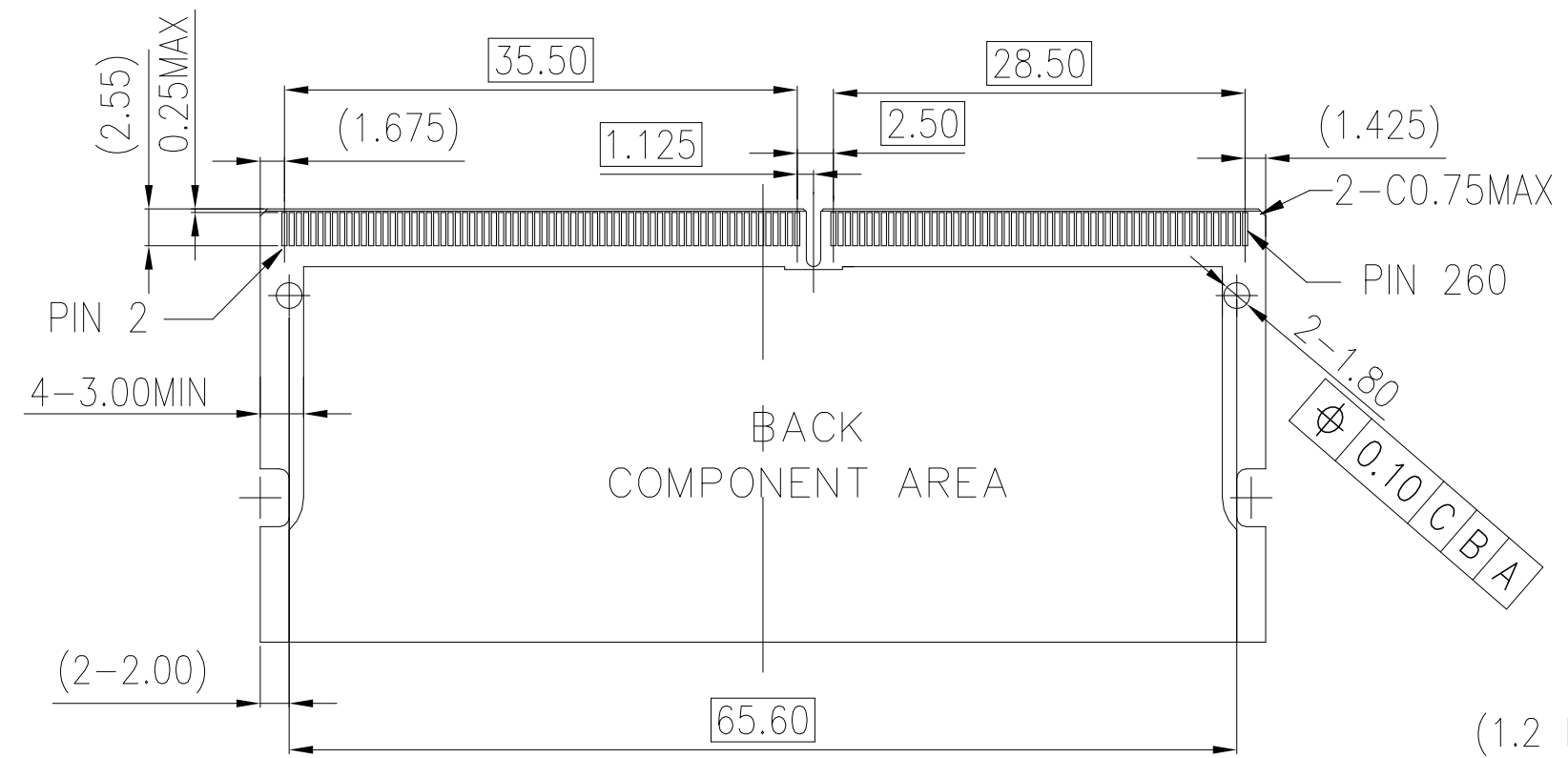
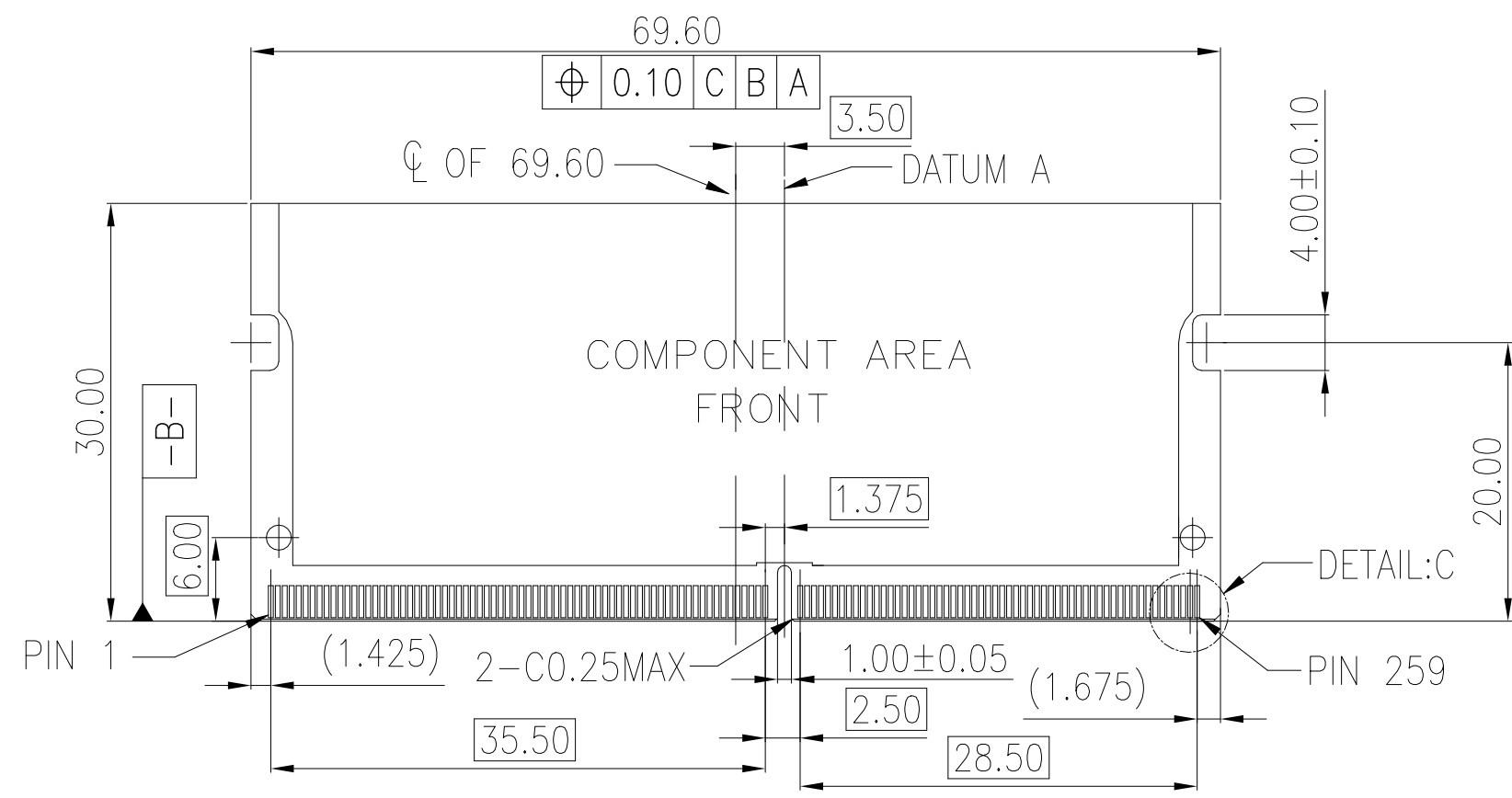


TAPE&REEL	HOUSING COLOR	POWER SUPPLY	FINISH	POS	PART NO.
BLACK	BLACK	1.2V	30u"	260	2309408-5
BLACK	BLACK	1.2V	15u"	260	2309408-4
BLACK	BLACK	1.2V	10u"	260	2309408-3
BLACK	BLACK	1.2V	5u"	260	2309408-2
BLACK	BLACK	1.2V	GF	260	2309408-1

THIS DRAWING IS A CONTROLLED DOCUMENT.

DWN DAVID ZHAO 09SEP2016		NAME: DDR4 SODIMM SOCKET 0.5mm PITCH 260POS 4.0mm HEIGHT REVERSE TYPE			
CHK RICHARD MA 09SEP2016					
APVD SIMON LI 09SEP2016					
PRODUCT SPEC 108-115122					
MATERIAL	SIZE A2	CAGE CODE 00779	DRAWING NO. C=2309408	RESTRICTED TO	
DIMENSIONS: mm	CUSTOMER DRAWING		SCALE 1:1	SHEET 1 of 3	REV 4
TOLERANCES UNLESS OTHERWISE SPECIFIED:					
0 PLC ± -					
1 PLC ± 0.25					
2 PLC ± 0.15					
3 PLC ± 0.10					
4 PLC ± -					
ANGLES ± -					
FINISH					

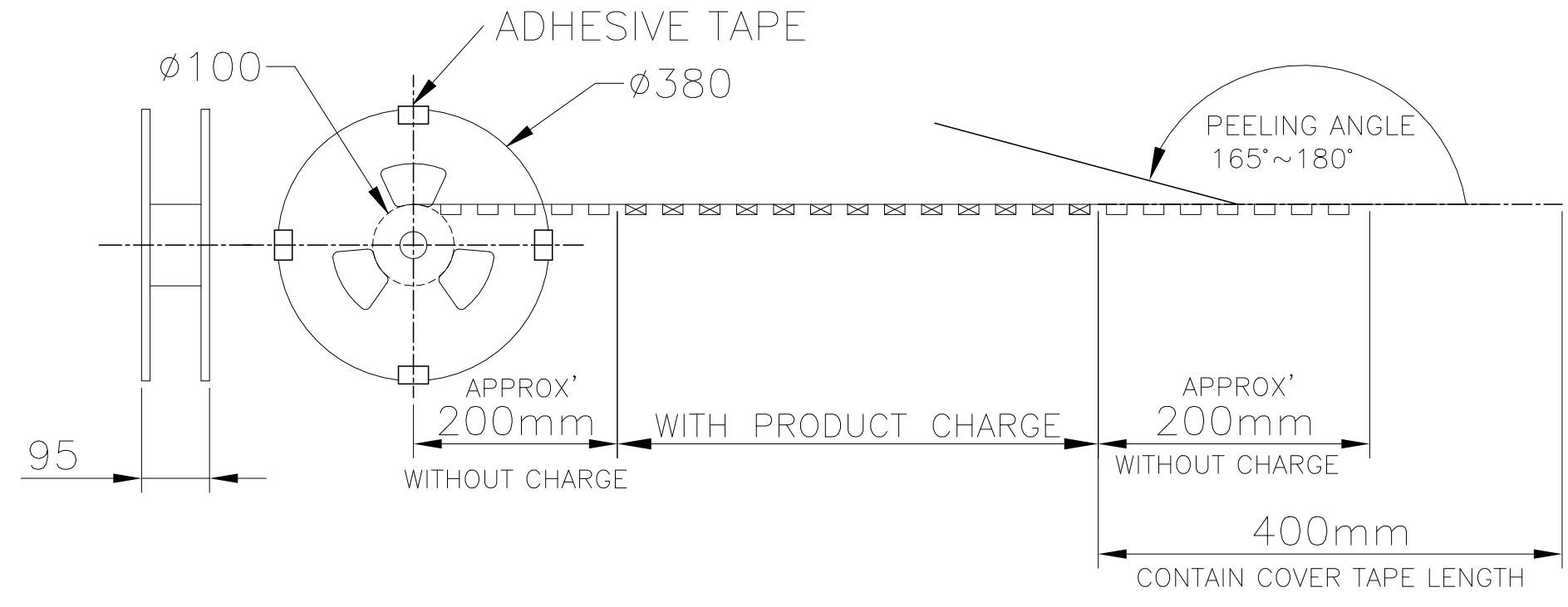
REVISIONS				
P	LTR	DESCRIPTION	DATE	OWN APVD
-	-	-	-	-



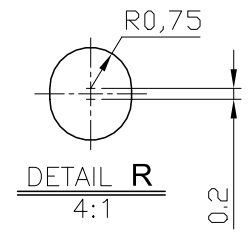
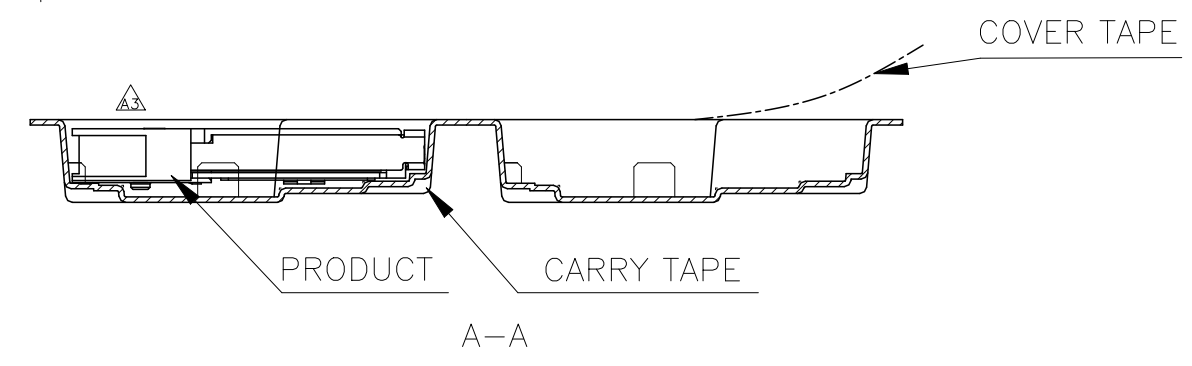
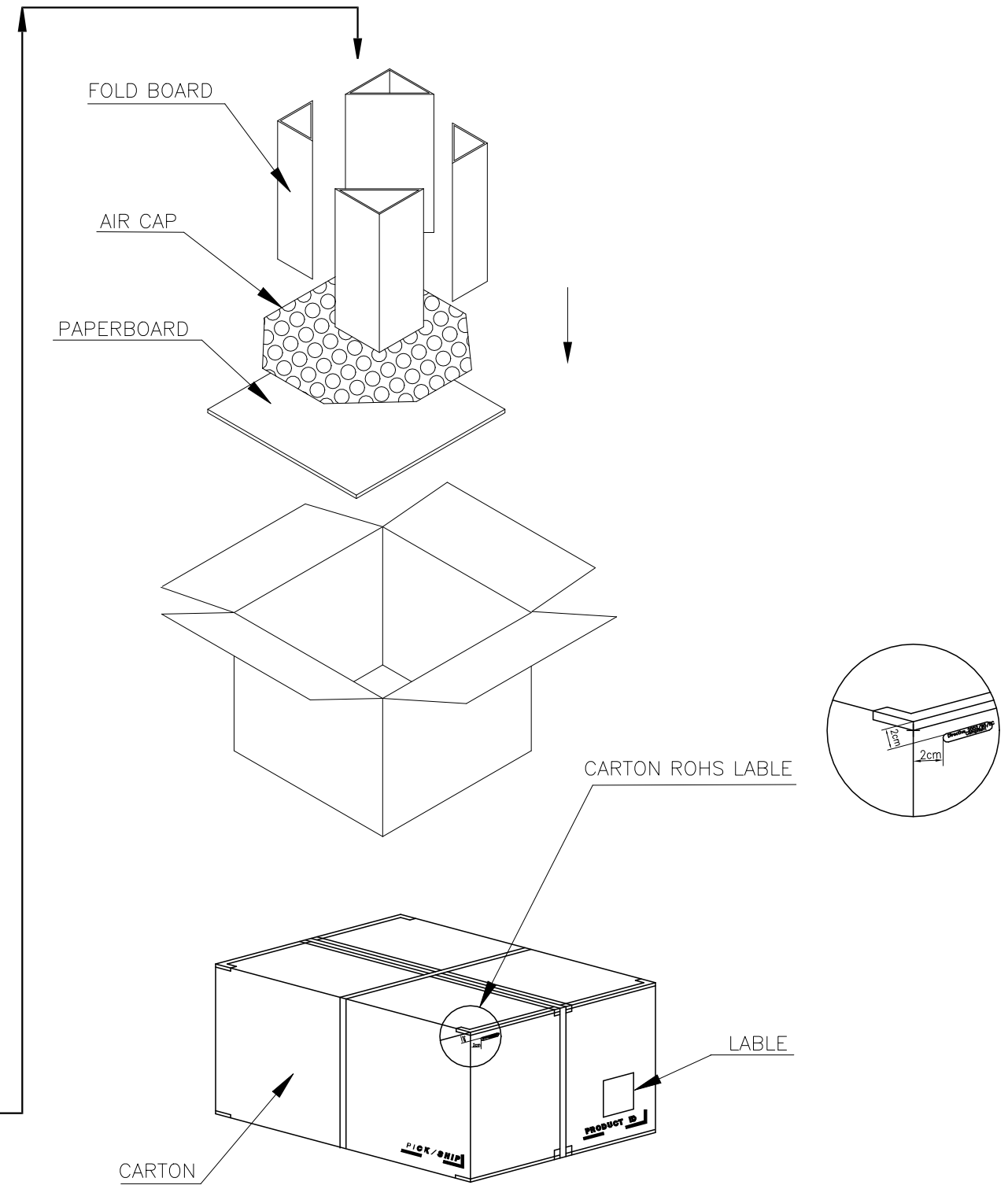
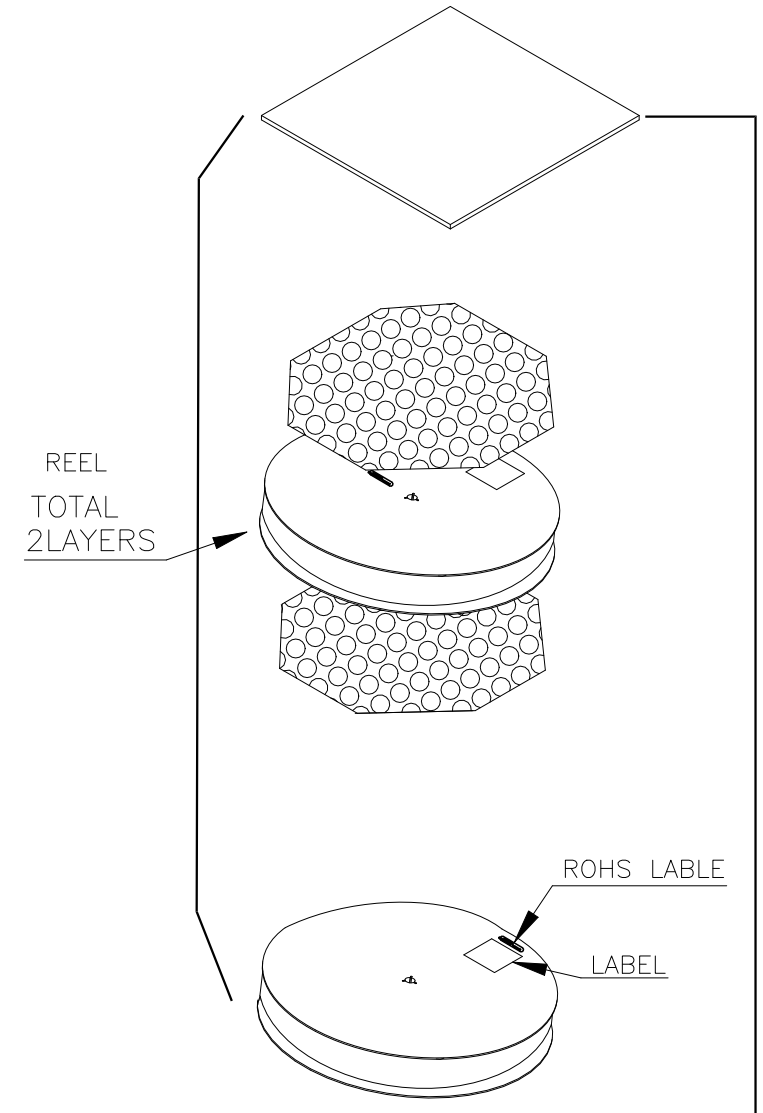
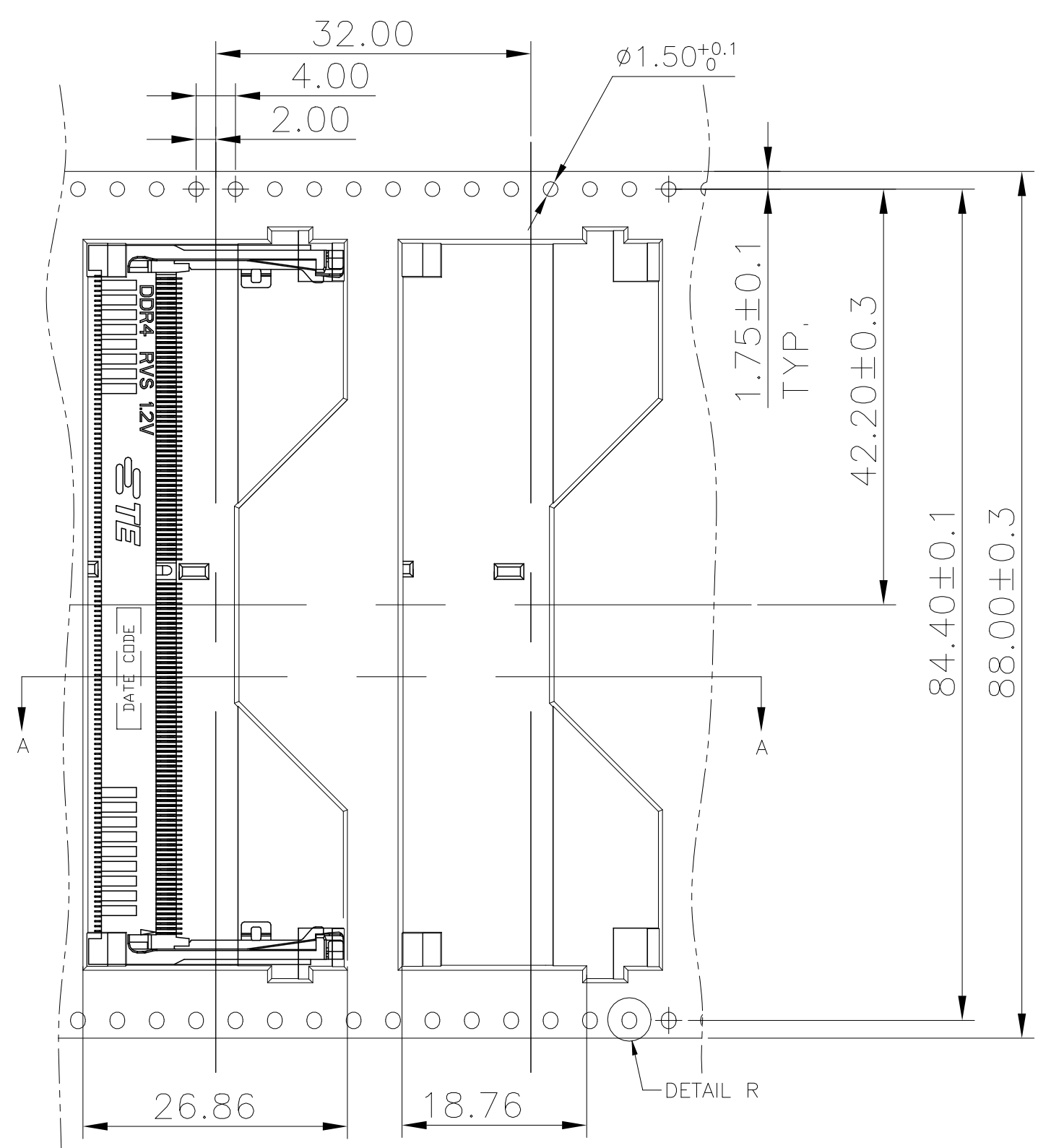
THIS DRAWING IS A CONTROLLED DOCUMENT.		OWN DAVID ZHAO 09SEP2016		TE Connectivity		
DIMENSIONS: mm		CHK RICHARD MA 09SEP2016		NAME		
TOLERANCES UNLESS OTHERWISE SPECIFIED:		APVD SIMON LI 09SEP2016		DDR4 SODIMM SOCKET		
0 PLC ±		PRODUCT SPEC		0.5mm PITCH 260POS		
1 PLC ±		APPLICATION SPEC	4.0mm HEIGHT REVERSE TYPE			
2 PLC ±		WEIGHT	SIZE A2	CAGE CODE 00779	DRAWING NO. C=2309408	RESTRICTED TO
3 PLC ±			SCALE 1:1			
4 PLC ±			SHEET 2 OF 3			
ANGLES ±			REV 4			
FINISH						

THIS DRAWING IS UNPUBLISHED. RELEASED FOR PUBLICATION  
 © COPYRIGHT 2016 By TE connectivity ALL RIGHTS RESERVED.

REVISIONS					
P	LTR	DESCRIPTION	DATE	DWN	APVD
-	-		-	-	-



PULL OUT DIRECTION →



450	2	900	*-2309408-*
PCS/REEL	REEL/CARTON	PCS/CARTON	PART NUMBER

THIS DRAWING IS A CONTROLLED DOCUMENT.		DWN DAVID ZHAO 09SEP2016	 TE Connectivity
DIMENSIONS: mm		CHK RICHARD MA 09SEP2016	
TOLERANCES UNLESS OTHERWISE SPECIFIED:		APVD SIMON LI 09SEP2016	
0 PLC ± 1 PLC ± 2 PLC ± 3 PLC ± 4 PLC ± ANGLES ± ±		NAME	
MATERIAL		PRODUCT SPEC	DDR4 SODIMM SOCKET 0.5mm PITCH 260POS 4.0mm HEIGHT REVERSE TYPE
FINISH		APPLICATION SPEC	SIZE A2
		WEIGHT	CAGE CODE 00779
		CUSTOMER DRAWING	DRAWING NO C=2309408
			RESTRICTED TO
			SCALE - SHEET 3 of 3 REV 4

# Mouser Electronics

Authorized Distributor

Click to View Pricing, Inventory, Delivery & Lifecycle Information:

[TE Connectivity:](#)

[2309408-1](#)