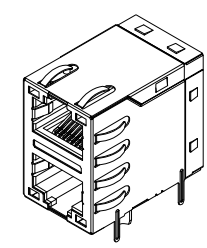
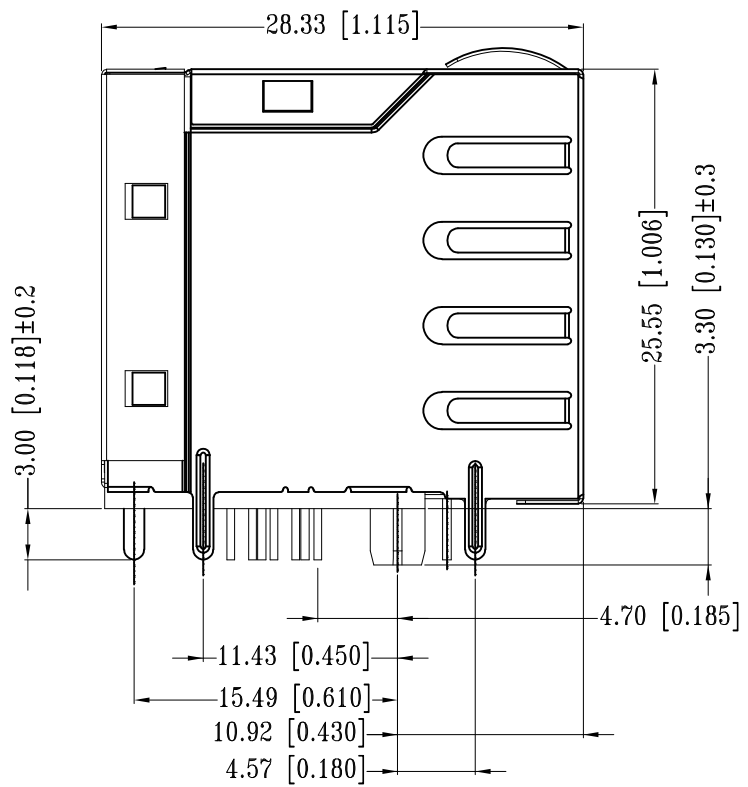
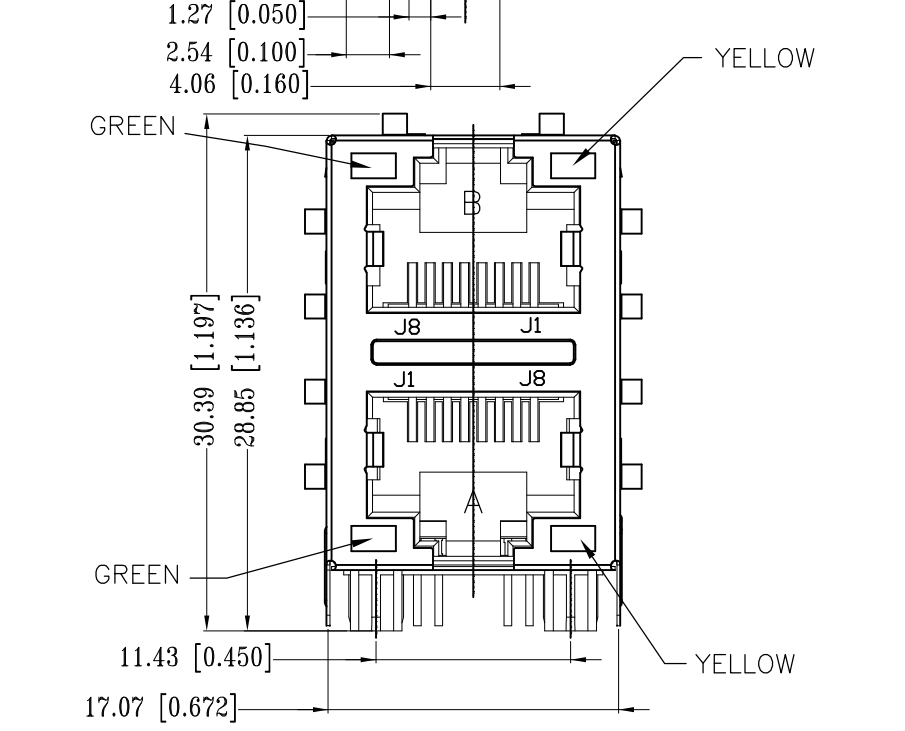
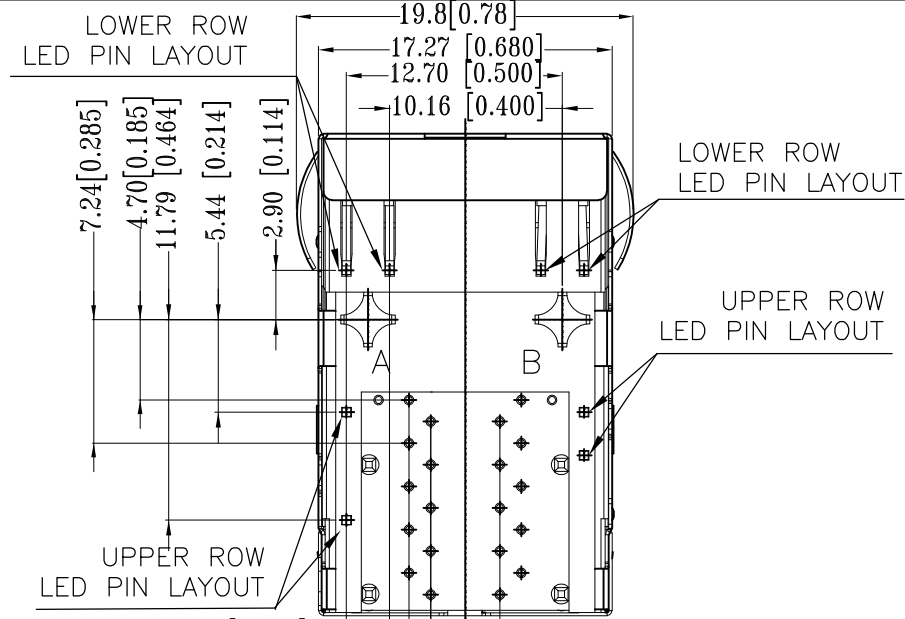


THIS DRAWING IS UNPUBLISHED
 RELEASED FOR PUBLICATION
 - .2017.
 © COPYRIGHT - 2017 by TE Connectivity Germany GmbH
 ALL RIGHTS RESERVED.

REVISIONS					
P	LTR	DESCRIPTION	DATE	DWN	APVD
	A1	New Release	12JUN2017	GCM	MSZ



1:1

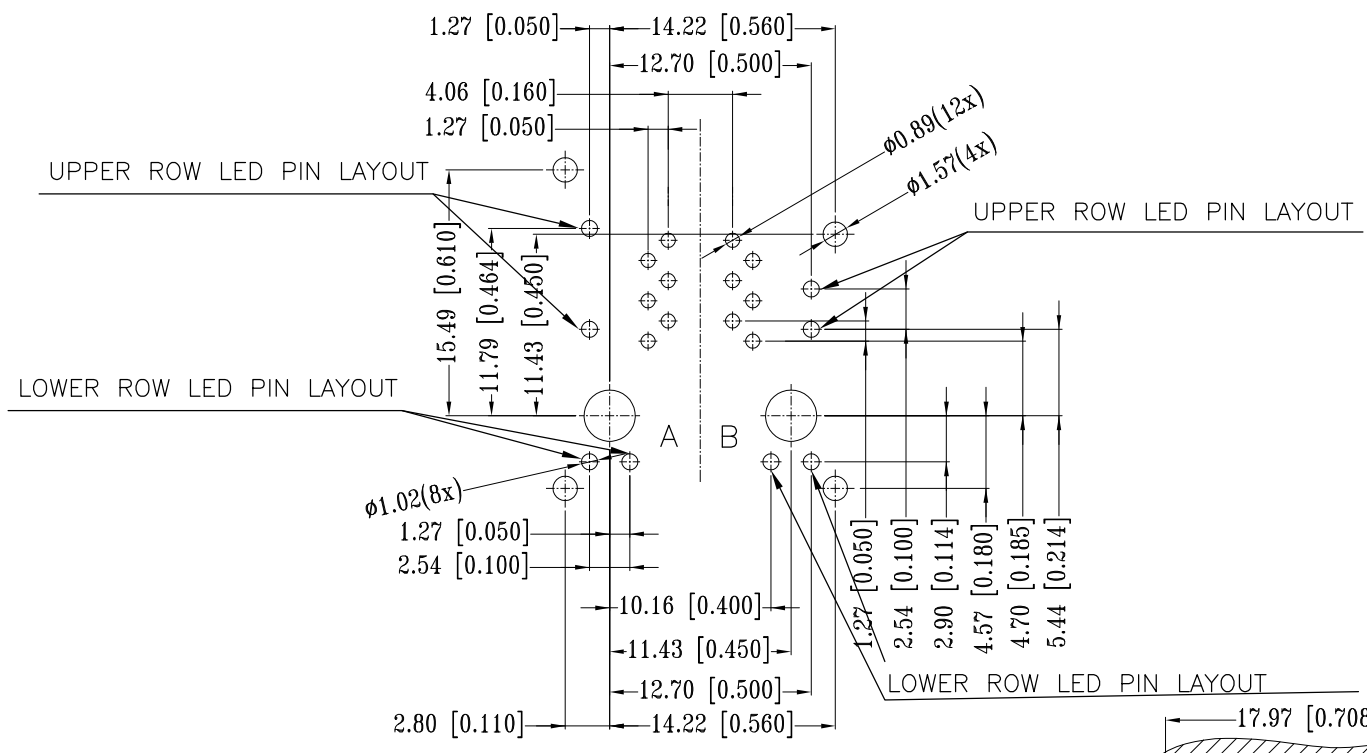
- △ CONNECTOR MATERIAL:
 HOUSING: LCP BLACK UL94 V-0
 INSERT: LCP BLACK UL94 V-0
 SHIELD: BRASS
 SHIELD PLATING: NICKEL
 CONTACT: COPPER ALLOY
 CONTACT PLATING: SELECTIVE GOLD, MIN. 0.76µm (30µinch) IN CONTACT AREA
 OVER MIN. 1.27µm (50µinch) NICKEL
 SOLDER PIN PLATING: 3.05µm (120µinch) TIN OVER 1.02µm (40µinch) NICKEL
 OVER ALL
 SHIELDING PIN PLATING: NICKEL
- 2 PIN NOT ELECTRICALLY CONNECTED MAYBE OMITTED SEE ELECTRICAL CIRCUIT DIAGRAM FOR OMITTED PINS
- 3 RJ45 CAVITIES CONFORM TO FCC RULES AND REGULATION PART 68
- 4 THE PART IS RECOMMENDED FOR REFLOW SOLDERING PROCESS PEAK SOLDERING: TEMPERATURE MAX. +260° C, MAX. 10s
- 5 OPERATING TEMPERATURE: T= -40° C TO +85° C
- 6 STORAGE TEMPERATURE: T= -40° C TO +85° C
- △ UNLESS OTHERWISE SPECIFIED, SEE TABLE FOR ALL DIMENSIONS TOLERANCES
- 8 JACK CONFIGURATION: 2 x 1
 TAB DIRECTION: UP/DOWN
- 9 PACKAGING: TRAY ACCORDING TO PACKAGING SPECIFICATION 107-18116

TABLE OF TOLERANCE (mm)	
RANGE	TOLERANCE
0-10	±0.15
>10-40	±0.25
>40-70	±0.30
>70	±0.40

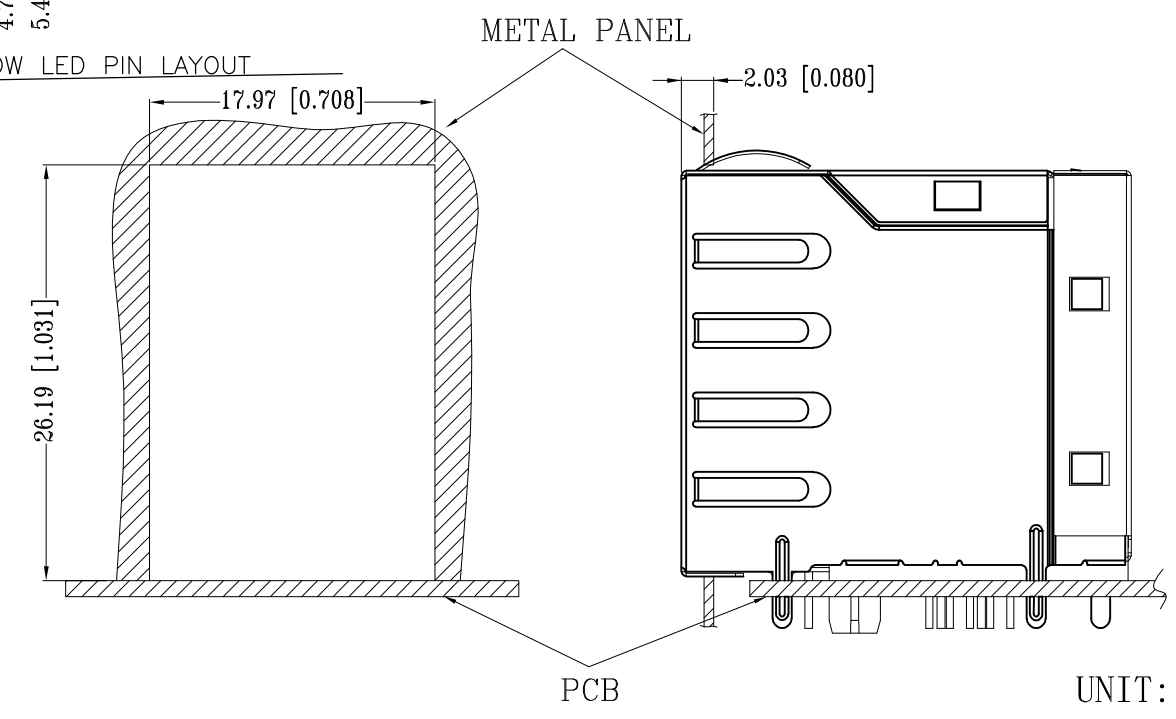
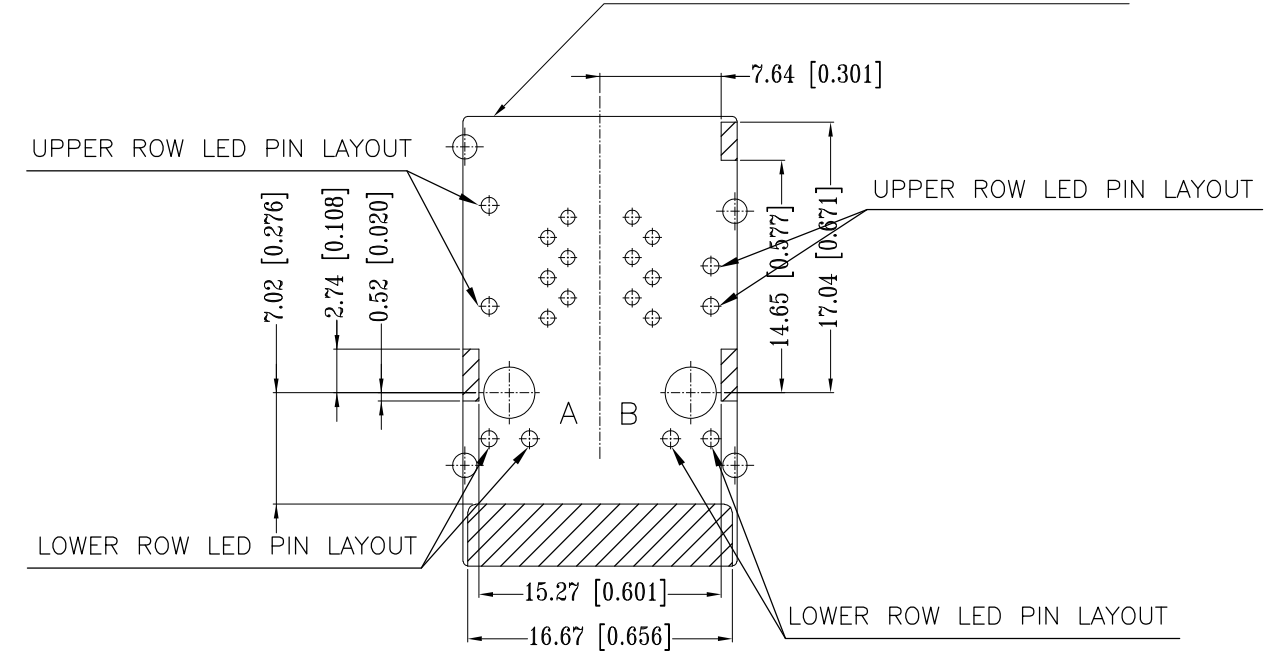
THIS DRAWING IS A CONTROLLED DOCUMENT.		DWN GANESH C M 12JUN2017	TE Connectivity		
DIMENSIONS: mm [INCHES]		CHK FRANZ MUELLER 12JUN2017			
TOLERANCES UNLESS OTHERWISE SPECIFIED: 0 PLC ± - 1 PLC ± - 2 PLC ± - 3 PLC ± - 4 PLC ± - ANGLES ± - MATERIAL △ 1 FINISH △ 1		APVD MARTIN SZELAG 12JUN2017	NAME RJ45 JACK INT.MAG. 10/100 LED 2x1		
		PRODUCT SPEC 108-94552	RESTRICTED TO		
		APPLICATION SPEC 114-94447	SIZE A3	CAGE CODE 00779	DRAWING NO C-2301997-9
		WEIGHT	SCALE 3:1		
		CUSTOMER DRAWING	SHEET 1 OF 3		
			REV A1		

REVISIONS				
P	LTR	DESCRIPTION	DATE	APVD
-	-	SEE SHEET 1	-	-

SUGGESTED PCB LAYOUT



CONNECTOR BOUNDARY



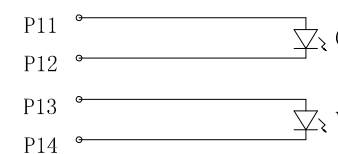
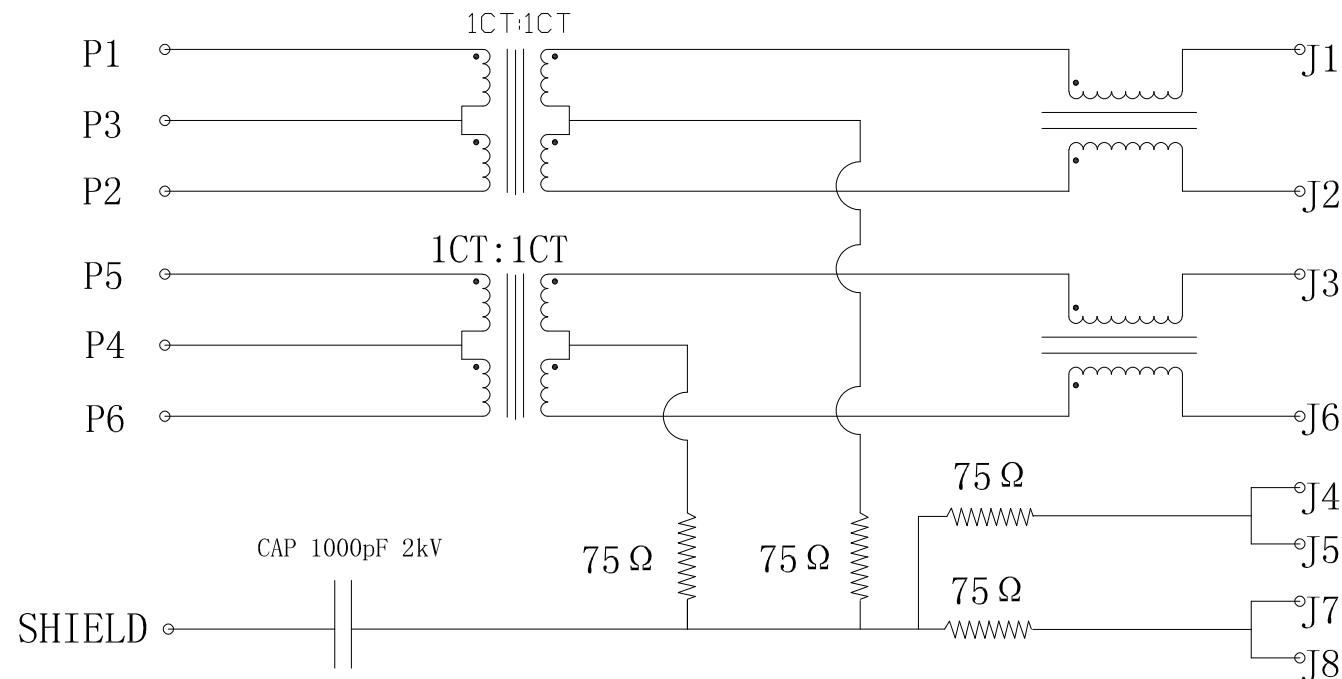
UNIT: mm / inch
 TOLERANCES: $\pm 0.10 / 0.004$

THIS DRAWING IS A CONTROLLED DOCUMENT.		DWN GANESH C M 12JUN2017	TE Connectivity																					
DIMENSIONS: mm [INCHES]		CHK FRANZ MUELLER 12JUN2017																						
TOLERANCES UNLESS OTHERWISE SPECIFIED:		APVD MARTIN SZELAG 12JUN2017	NAME RJ45 JACK INT.MAG. 10/100 LED 2x1																					
<table border="0"> <tr><td></td><td>0 PLC</td><td>$\pm -$</td><td rowspan="5" style="text-align: center; vertical-align: middle;"></td></tr> <tr><td></td><td>1 PLC</td><td>$\pm -$</td></tr> <tr><td></td><td>2 PLC</td><td>$\pm -$</td></tr> <tr><td></td><td>3 PLC</td><td>$\pm -$</td></tr> <tr><td></td><td>4 PLC</td><td>$\pm -$</td></tr> <tr><td></td><td>ANGLES</td><td>$\pm -$</td></tr> </table>			0 PLC	$\pm -$			1 PLC	$\pm -$		2 PLC	$\pm -$		3 PLC	$\pm -$		4 PLC	$\pm -$		ANGLES	$\pm -$	PRODUCT SPEC 108-94552	SIZE A3		
	0 PLC	$\pm -$																						
	1 PLC	$\pm -$																						
	2 PLC	$\pm -$																						
	3 PLC	$\pm -$																						
	4 PLC	$\pm -$																						
	ANGLES	$\pm -$																						
MATERIAL		FINISH	APPLICATION SPEC 114-94447	CAGE CODE 00779	DRAWING NO C-2301997-9																			
			WEIGHT	RESTRICTED TO																				
CUSTOMER DRAWING			SCALE 3:1	SHEET 2 OF 3	REV A1																			

REVISIONS

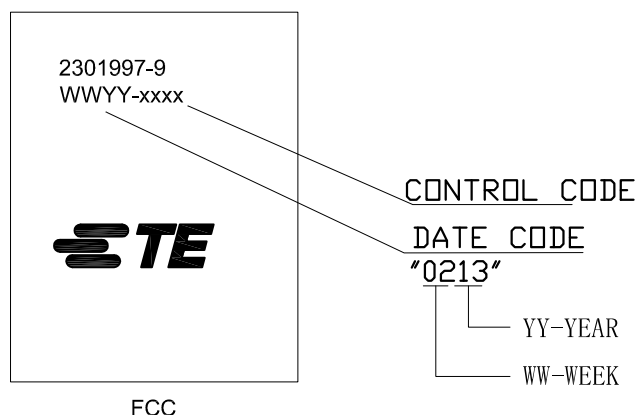
P	LTR	DESCRIPTION	DATE	DWN	APVD
-	-	SEE SHEET 1	-	-	-

ELECTRICAL CIRCUIT DIAGRAM



PIN	GREEN	YELLOW	
P11	+	P13	+
P12	-	P14	-

- 1.0 Turn Ratio @100kHz: (P1~P2):(J1~J2) = 1:1±2%
(P5~P6):(J3~J6) = 1:1±2%
- 2.0 Primary Inductance: 350µH MIN. @100kHz, 0.1V 8mA DC BIAS
- 3.0 DC Resistance: 1.2 OHMS MAX.
- 4.0 Insertion Loss: 1-100MHz -1.2dB MAX.
- 5.0 Return Loss: 1-30MHz -16dB MIN.
30-60MHz -12dB MIN.
60-80MHz -10dB MIN.
- 6.0 CROSS TALK: 1-100MHz -30dB MIN.
- 7.0 COMMON TO COMMON MODE ATTENUATION: 1-100MHz -30dB MIN.
- 8.0 Isolation: PHY Side to Line Side: 2250VDC



THIS DRAWING IS A CONTROLLED DOCUMENT.		DWN GANESH C M 12JUN2017	STE TE Connectivity	
DIMENSIONS: mm [INCHES]		CHK FRANZ MUELLER 12JUN2017		
TOLERANCES UNLESS OTHERWISE SPECIFIED:		APVD MARTIN SZELAG 12JUN2017	NAME RJ45 JACK INT.MAG. 10/100 LED 2x1	
0 PLC ± -		PRODUCT SPEC 108-94552	SIZE CAGE CODE DRAWING NO RESTRICTED TO	
1 PLC ± -		APPLICATION SPEC 114-94447	A3 00779 C-2301997-9	
2 PLC ± -		WEIGHT	SCALE 3:1 SHEET 3 OF 3 REV A1	
3 PLC ± -		MATERIAL 1	FINISH 1	
4 PLC ± -			CUSTOMER DRAWING	
ANGLES ± -				

Mouser Electronics

Authorized Distributor

Click to View Pricing, Inventory, Delivery & Lifecycle Information:

[TE Connectivity:](#)

[2301997-9](#)