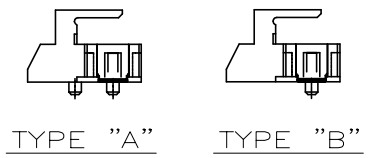
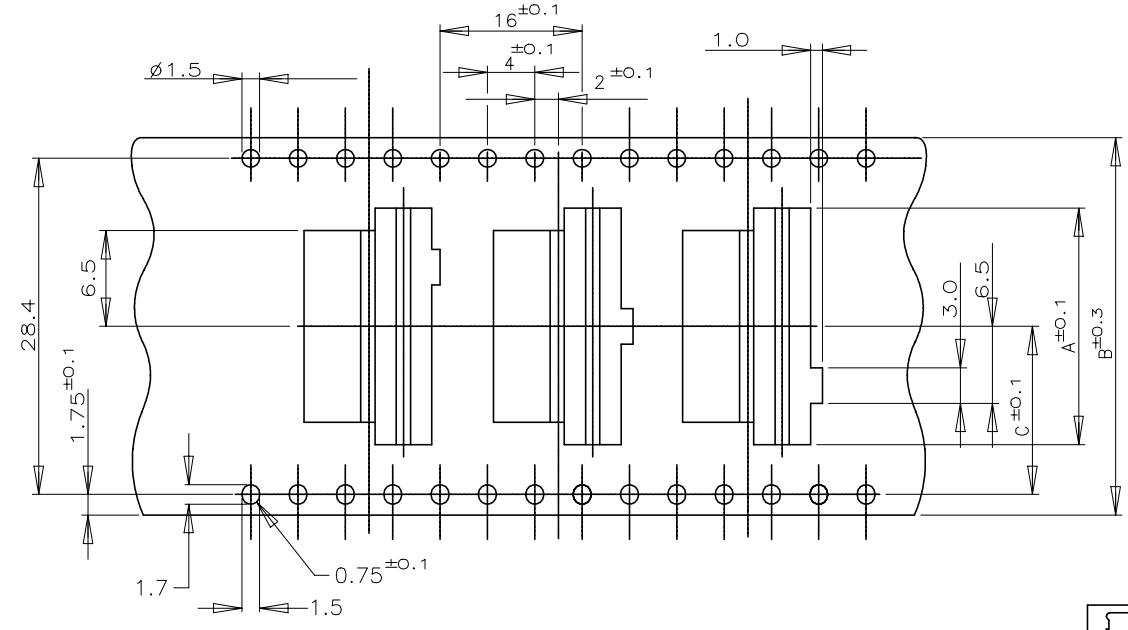
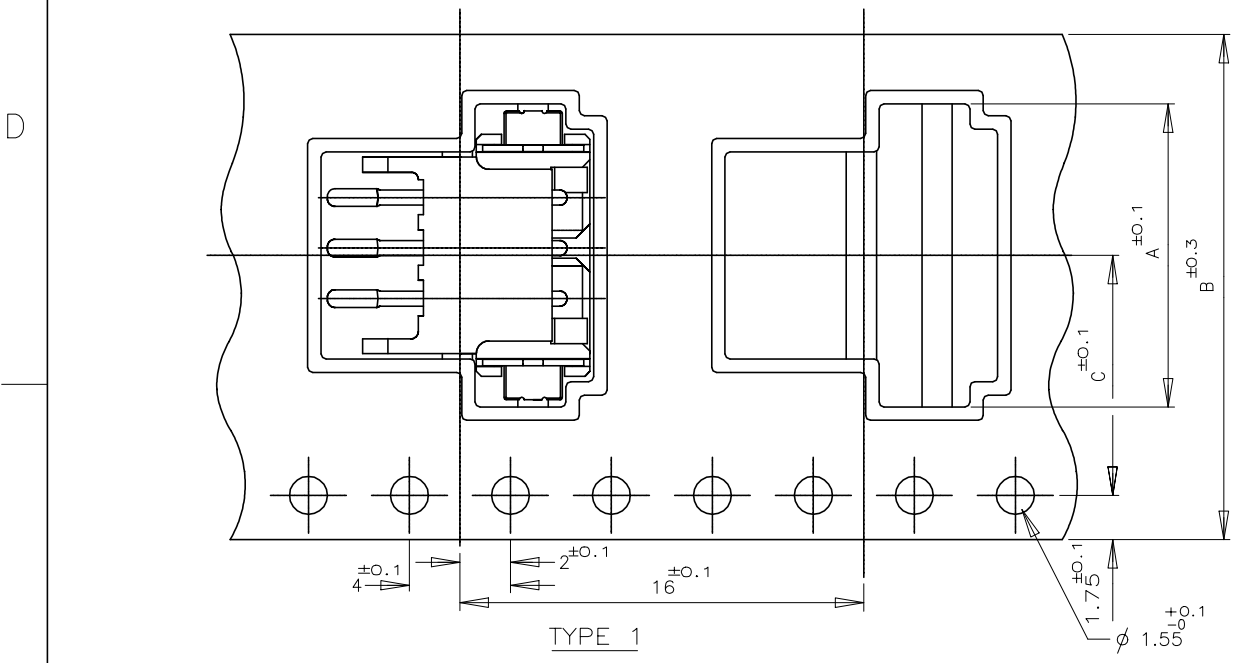
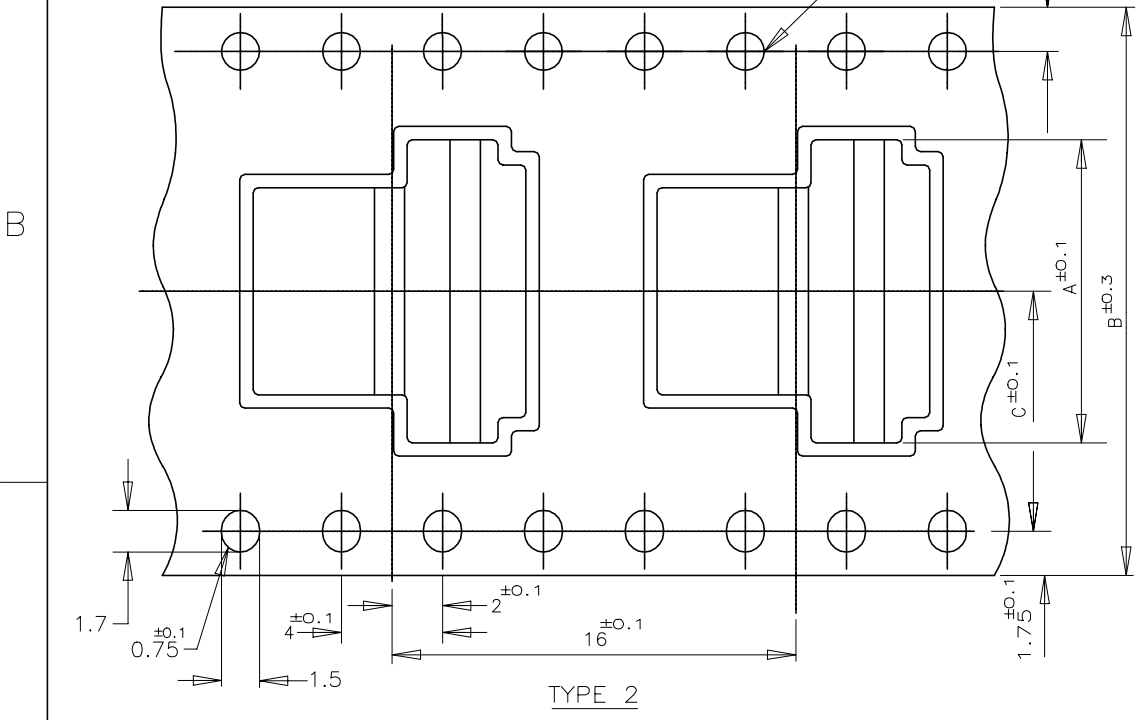
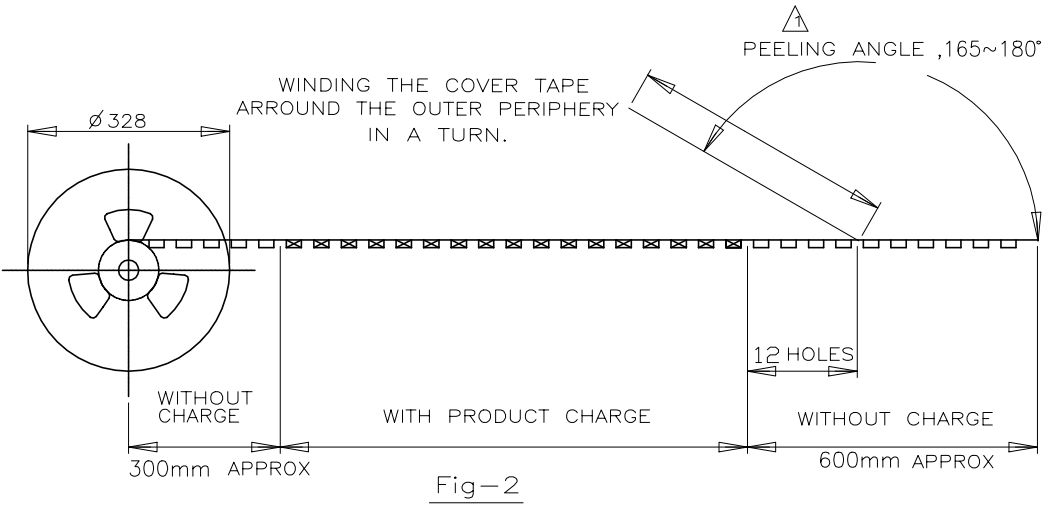
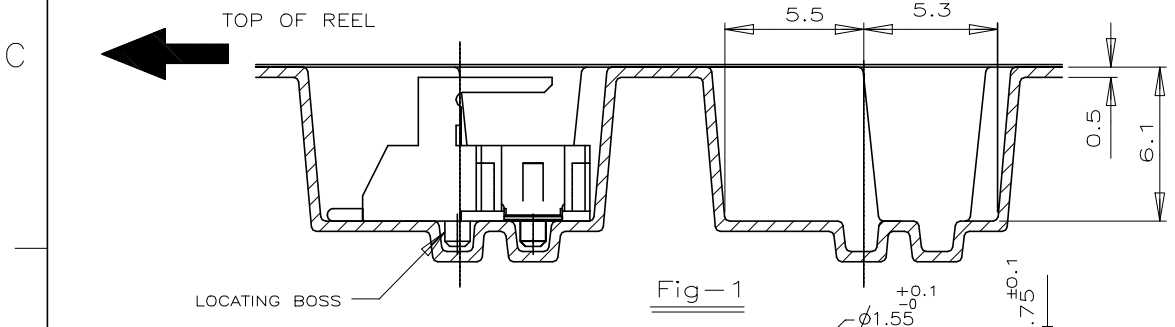


REVISIONS				
P	LTR	DESCRIPTION	DATE	DWN APVD
C5		ECR-22-127164	26OCT2021	T.Q N.S

(AS SHOWN : 3P)



THREE KINDS OF DIFFERENT POCKETS AS 1 SET USED FOR 7P ONLY



COLOR	PLATE	TAPE TYPE	TYPE OF BOSS	C		B		A		QTY/ REEL	Pos	TAPING P/N
				WITH	WITHOUT	WITH	WITHOUT	WITH	WITHOUT			
NATURAL	WITH	TYPE 2	B	20.2	44	24	500	9	1-292173-9			
				20.2	44	22		8	1-	-8		
			B	14.2	32	20		7	1-	-7		
				14.2	32	18		6	1-	-6		
			TYPE 1	B	11.5	24	16		5	1-	-5	
				B			14		4	1-	-4	
A			12		3	1-	-3					
BLACK	WITH	TYPE 2	B	20.2	44	24		9	0-	-9		
				20.2	44	22		8	0-	-8		
		B	14.2	32	20		7	0-	-7			
			14.2	32	18		6	0-	-6			
		TYPE 1	B	11.5	24	16		5	0-	-5		
			B			14		4	0-	-4		
A			12		3	0-	-3					
WITH	A	11.5	24	10	500	2	0-292173-2					

TOLERANCE UNLESS OTHERWISE SPECIFIED:

10 > *	: ±0.2
30 > * > 10	: ±0.25
100 > * > 30	: ±0.3
ANGLE	: ±3'

NOTES:

▲ PEELING RESISTANCE : 0.196N-0.686N (20gf-70gf)
SPEED : 300mm/min

THIS DRAWING IS A CONTROLLED DOCUMENT.

DWN	JACK HOU	21SEP10
CHK	MARTIN LI	21SEP10
APVD	STEVEN YAO	21SEP10
PRODUCT SPEC		
APPLICATION SPEC		
WEIGHT		
CUSTOMER DRAWING		

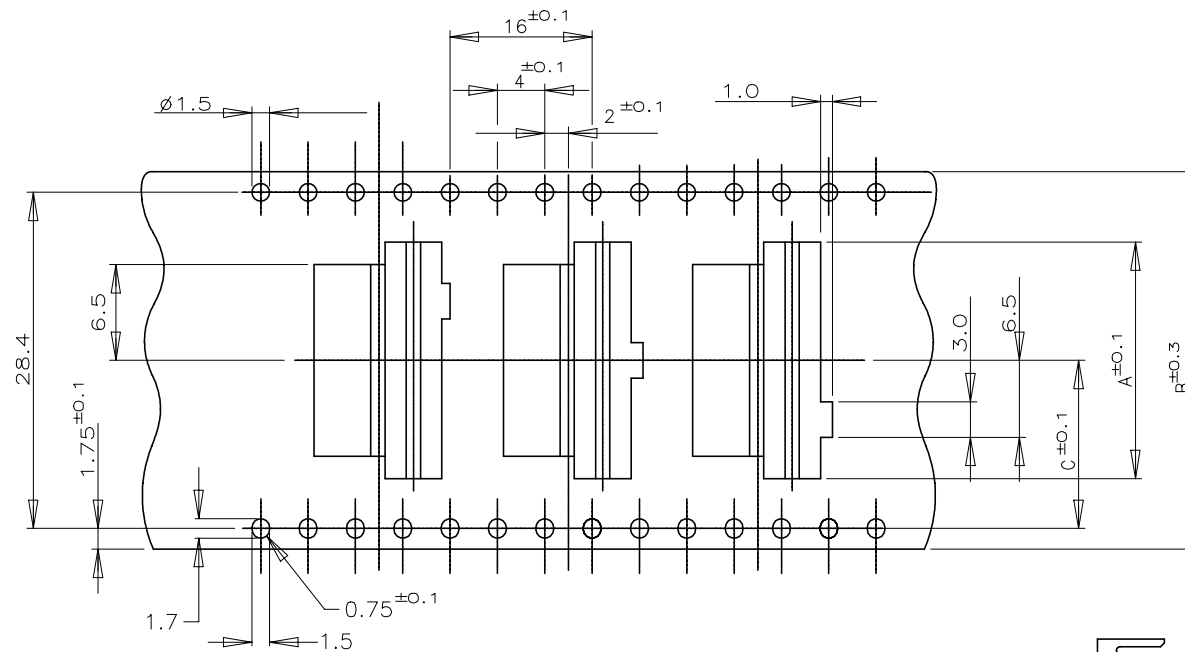
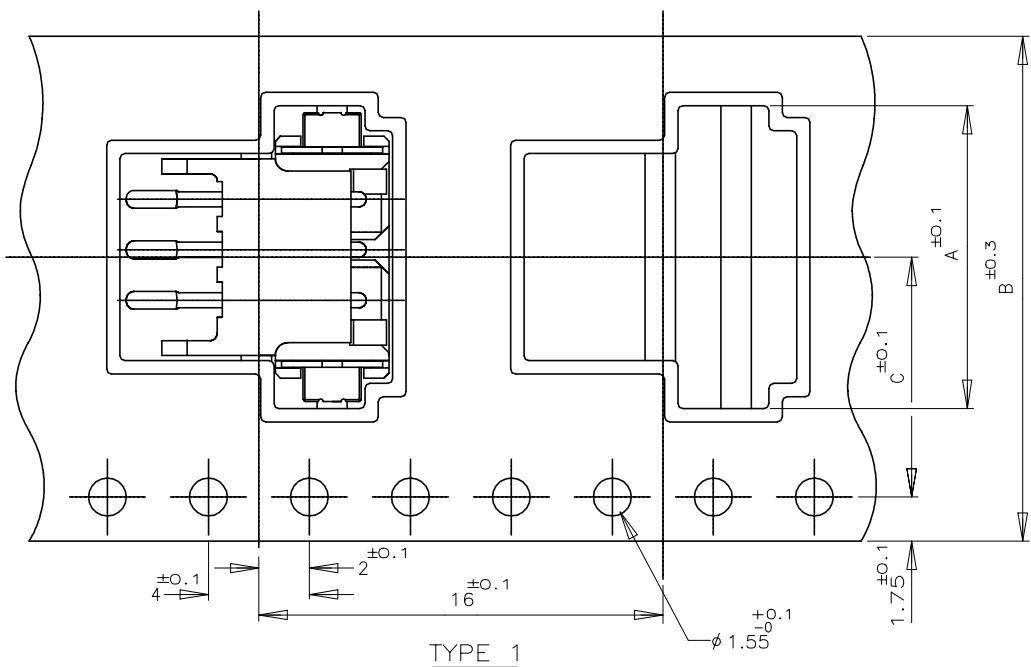
STE TE Connectivity Ltd.

EMBOSS
CT HEADER ASSY
BOX-H SMT TYPE W/BOSS

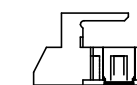
SIZE	CAGE CODE	DRAWING NO	RESTRICTED TO
A3	00779	C=292173	-
SCALE	SHEET	1 of 8	REV C5

P	LTR	DESCRIPTION	DATE	DWN	APVD
-	-	SEE SHEET 1	-	-	-

(AS SHOWN : 3P)



TYPE 3 FOR 7P ONLY
THREE KINDS OF DIFFERENT POCKETS AS 1 SET
USED FOR 7P ONLY



TYPE "A"

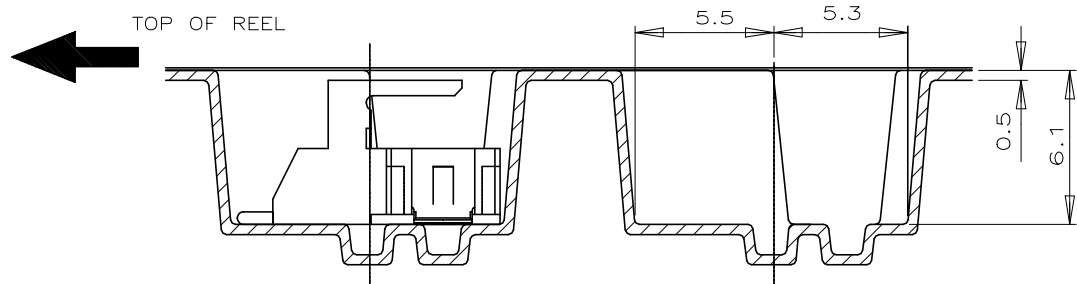
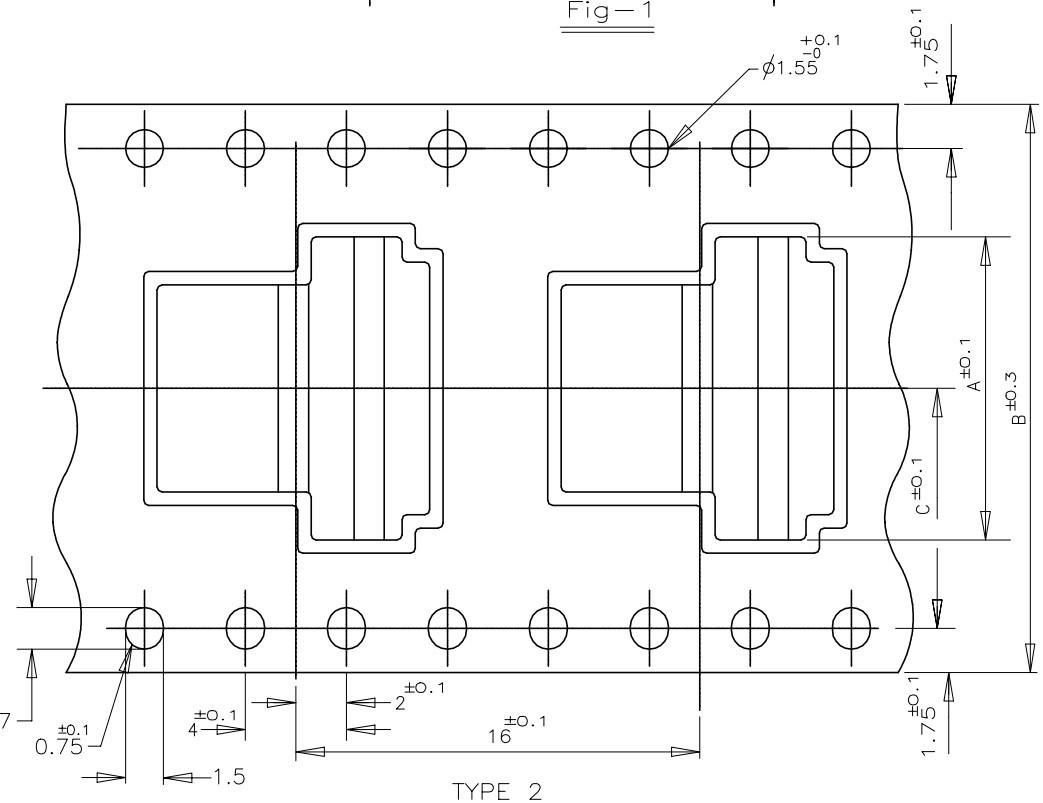


Fig-1



TYPE 2

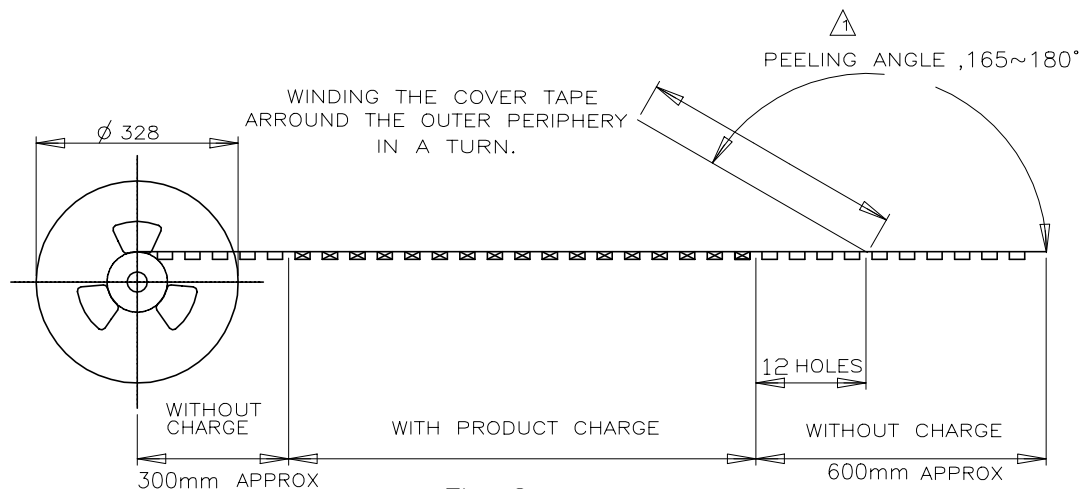


Fig-2

COLOR	PLATE	TAPE TYPE	TYPE OF BOSS	C		B		A		QTY/ REEL	Pos	TAPING	P/N
				A	B	A	B	A	B				
NATURAL	WITH	TYPE 2	A	20.2	44	24	500	9	3-292173-9				
				20.2	44	22		8	3-	-8			
	TYPE 3	A	14.2	32	20		7	3-	-7				
			14.2	32	18		6	3-	-6				
	TYPE 1	A	11.5	24	16		5	3-	-5				
					14		4	3-	-4				
				12		3	3-	-3					
11.5			24	10		2	3-	-2					
BLACK	WITH	TYPE 2	A	20.2	44	24		9	2-	-9			
				20.2	44	22		8	2-	-8			
	TYPE 3	A	14.2	32	20		7	2-	-7				
			14.2	32	18		6	2-	-6				
	TYPE 1	A	11.5	24	16		5	2-	-5				
					14		4	2-	-4				
				12		3	2-	-3					
11.5			24	10	500	2	2-292173-2						

TOLERANCE UNLESS OTHERWISE SPECIFIED:

10 > *	: ±0.2
30 > * > 10	: ±0.25
100 > * > 30	: ±0.3
ANGLE	: ±3'

NOTES:
 ▲ PEELING RESISTANCE : 0.196N-0.686N (20gf-70gf)
 SPEED : 300mm/min

THIS DRAWING IS A CONTROLLED DOCUMENT.		DWN
DIMENSIONS: MM		CHK
TOLERANCES UNLESS OTHERWISE SPECIFIED:		APVD
0 PLC ±		PRODUCT SPEC
1 PLC ±		APPLICATION SPEC
2 PLC ±		WEIGHT
3 PLC ±		CUSTOMER DRAWING
4 PLC ±		
ANGLES ±		
MATERIAL FINISH		



NAME			
ON TAPING (EMBOSS) TE CT CONNECTOR POST HEADER ASS'Y (BOX-H SMT TYPE W/O BOSS & W/ TAIL)			
SIZE	CAGE CODE	DRAWING NO	RESTRICTED TO
A3	00779	C=292173	-
SCALE		SHEET	REV
//		2 of 8	C5

P	LTR	DESCRIPTION	DATE	DWN	APVD
-	-	SEE SHEET 1	-	-	-

D

C

B

A

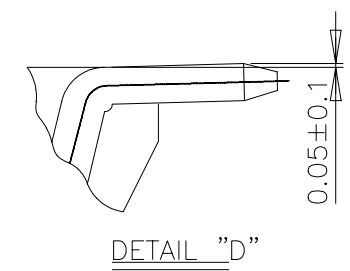
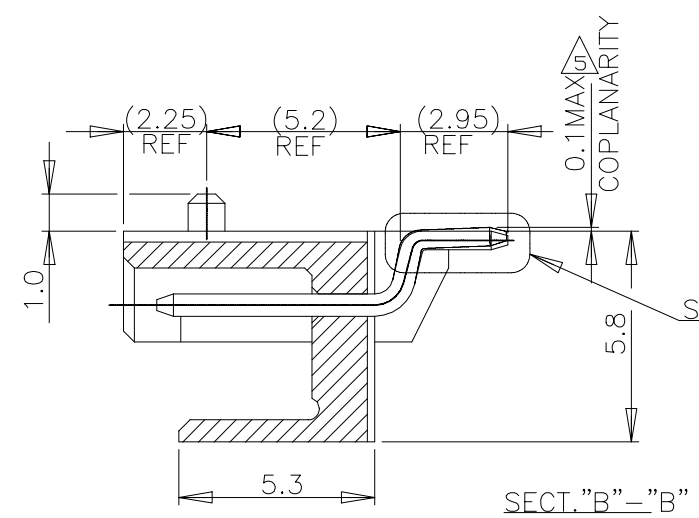
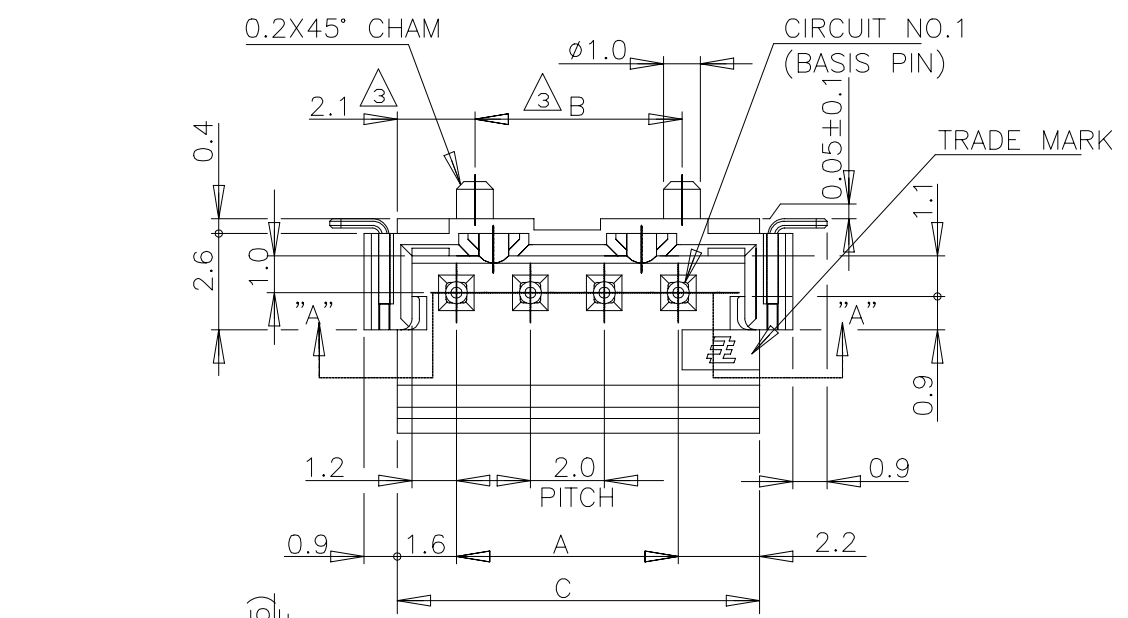
D

C

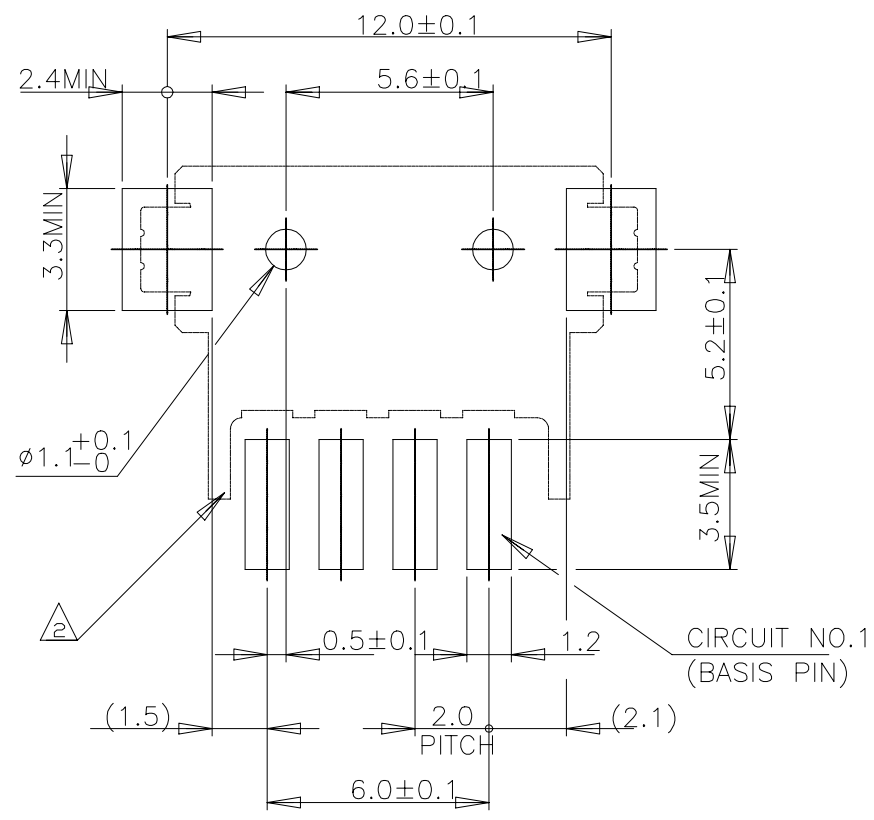
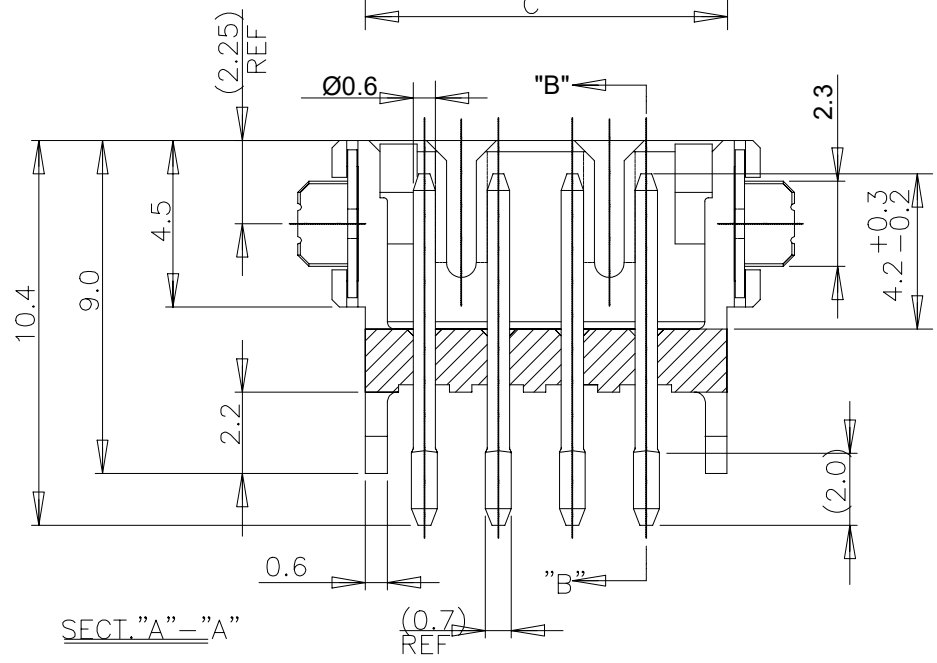
B

A

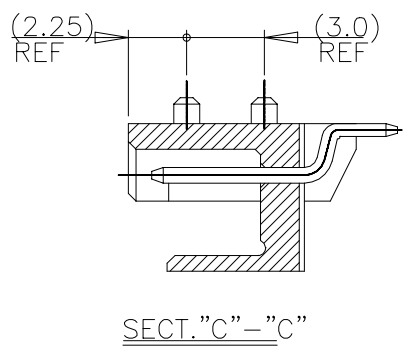
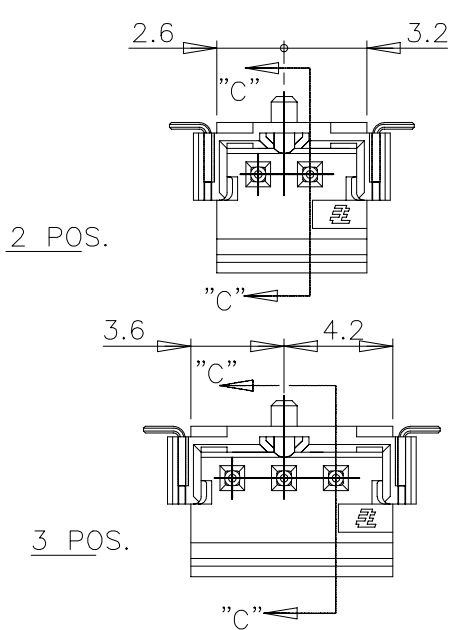
(AS SHOWN : -4)



- NOTES:
- MATERIAL:HSG-NYLON (UL94V-0)
 COLOR:BLACK ,NATURAL
 POST: TIN BRASS
 TAIL: TIN BRASS
- 2 OCCUPANT AREA ON PC BOARD
 3 4P&ABOVE POS.
 4 2P&3P
 5 TO BE MEASURED WITH CONNECTOR PLACED ON HORIZONTAL DATUM SURFACE ,FLOAT OF SOLDER TINE AND TAIL FROM DATUM SURFACE IS 0.1mm MAX



16.0	15.6	19.8	22.0	9	1-292173-9	292173-9
14.0	13.6	17.8	20.0	8	1-8	8
12.0	11.6	15.8	18.0	7	1-7	7
10.0	9.6	13.8	16.0	6	1-6	6
8.0	7.6	11.8	14.0	5	1-5	5
6.0	5.6	9.8	//	4	1-4	4
4.0	//	7.8	//	3	1-3	3
2.0	//	5.8	//	2	1-292173-2	292173-2
A	B	C	D	Pos.	NATURAL	BLACK
						P/N



TOLERANCES UNLESS OTHERWISE SPECIFIED:

10 > *	: ±0.2
30 > * > 10	: ±0.25
100 > * > 30	: ±0.3
ANGEL	: ±3°

THIS DRAWING IS A CONTROLLED DOCUMENT.

DIMENSIONS: MM	TOLERANCES UNLESS OTHERWISE SPECIFIED:	DWN	-
0 PLC	± -	CHK	-
1 PLC	± -	APVD	-
2 PLC	± -	PRODUCT SPEC	108-60016
3 PLC	± -	APPLICATION SPEC	-
4 PLC	± -	WEIGHT	-
ANGLES	± -	CUSTOMER DRAWING	-
MATERIAL	FINISH	SCALE	//
SEE NOTE	SEE NOTE	SHEET	3 of 8

STE TE Connectivity Ltd.

SMT TYPE POST HDR ASS'Y (H)
 WITH BOSS & TAIL TYPE
 (TE CT CONN. 2mm PITCH)

SIZE	CAGE CODE	DRAWING NO	RESTRICTED TO
A3	00779	C=292173	-
REV			C5

P	LTR	DESCRIPTION	DATE	DWN	APVD
-	-	SEE SHEET 1	-	-	-

D

(AS SHOWN : -4)

C

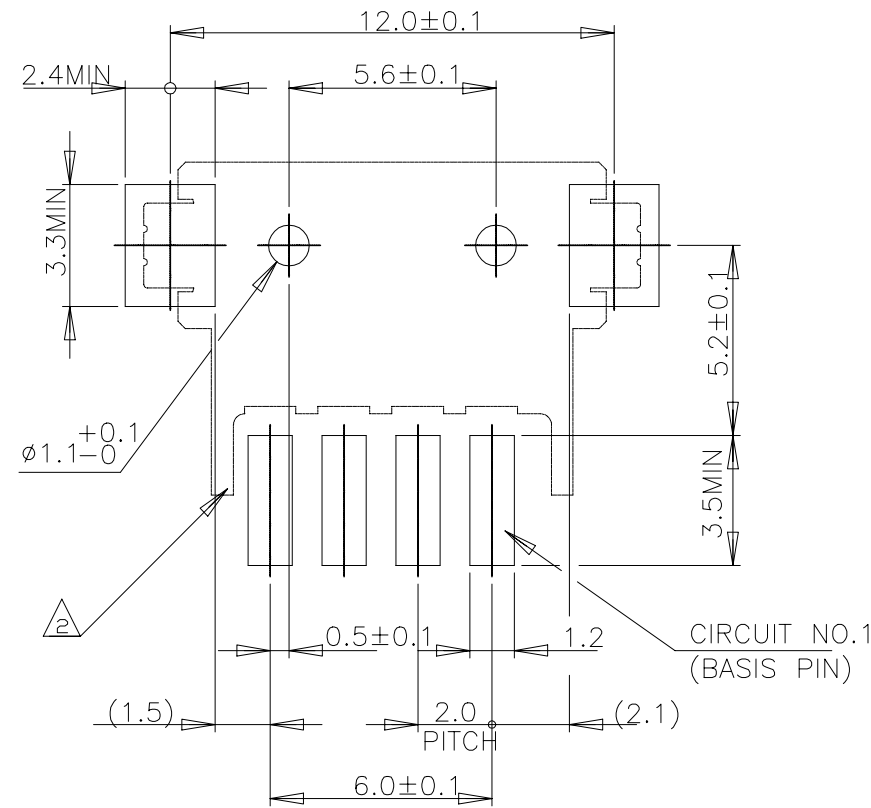
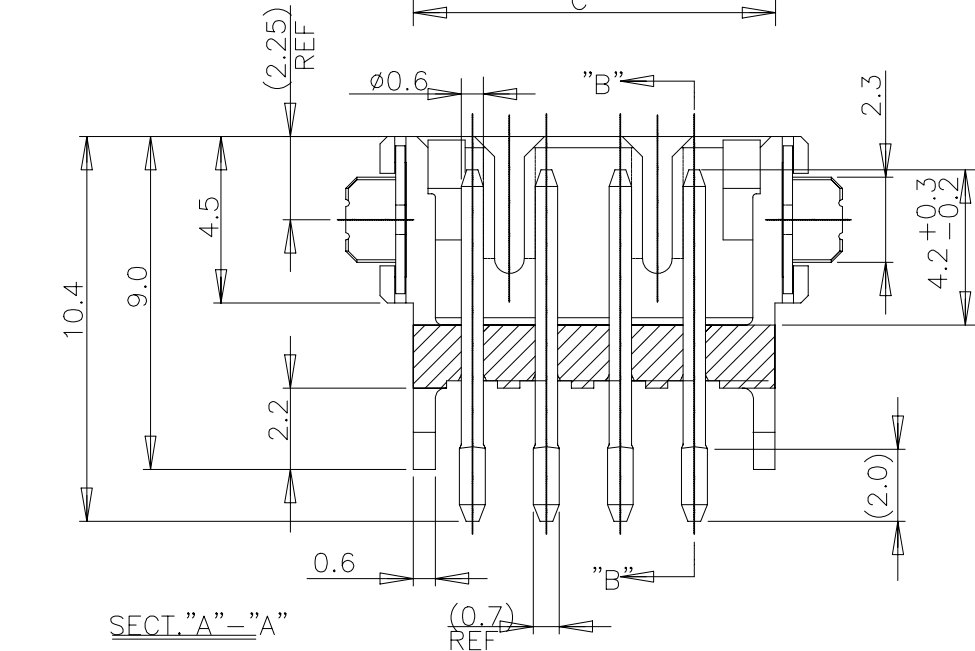
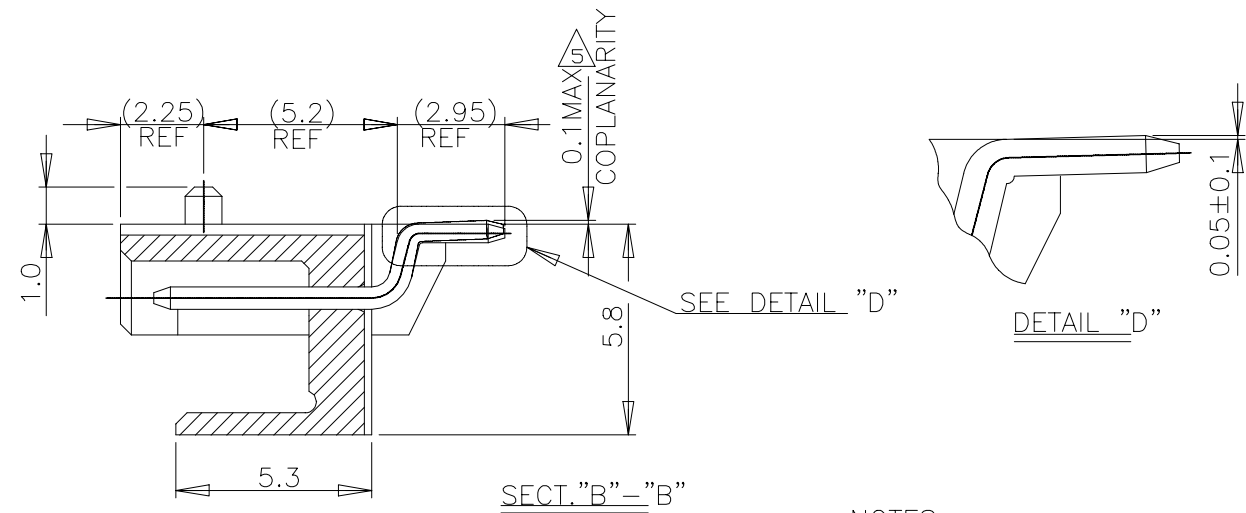
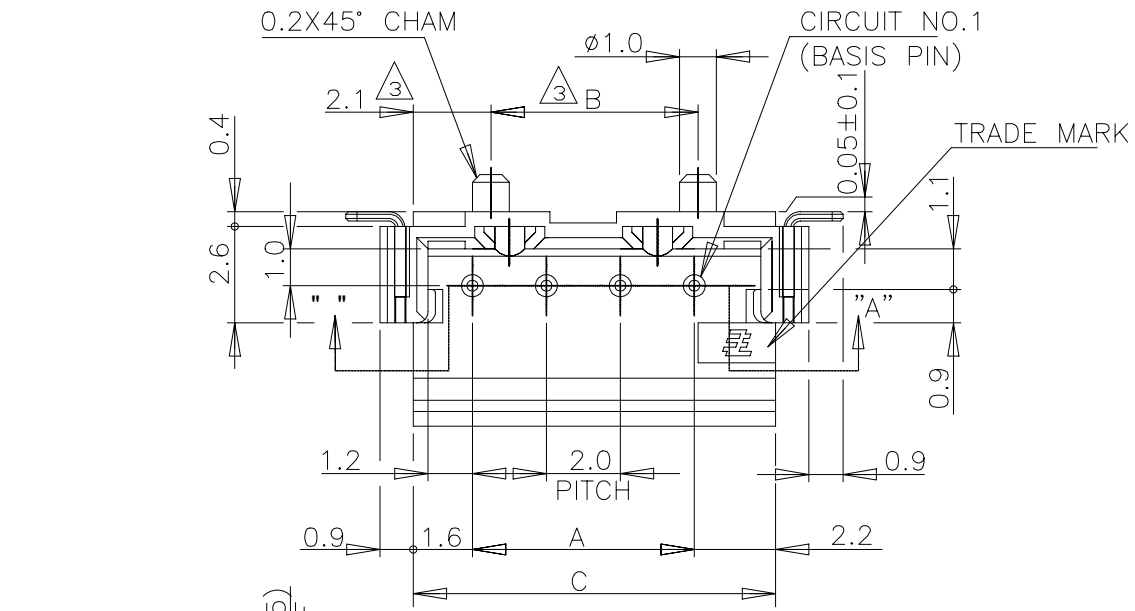
C

B

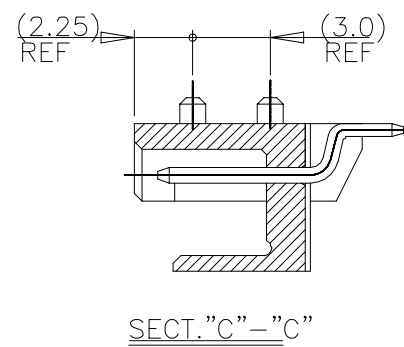
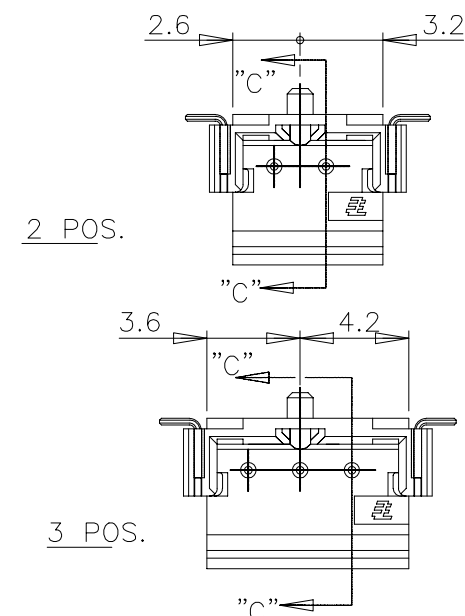
B

A

A



NO ACCUMULATED TOLERANCE
RECOMMENDED P.C. BOARD LAYOUT
(P.C.B. THK:0.8mm MIN)



NOTES:

- MATERIAL:HSG-NYLON (UL94V-0)
COLOR:BLACK ,NATURAL
POST: TIN BRASS
TAIL: TIN BRASS

- OCCUPANT AREA ON PC BOARD
- 4P&ABOVE POS.
- 2P&3P
- TO BE MEASURED WITH CONNECTOR PLACED ON HORIZONTAL DATUM SURFACE ,FLOAT OF SOLDER TINE AND TAIL FROM DATUM SURFACE IS 0.1mm MAX

16.0	15.6	19.8	22.0	9	1-292173-9	292173-9
14.0	13.6	17.8	20.0	8	1- -8	-8
12.0	11.6	15.8	18.0	7	1- -7	-7
10.0	9.6	13.8	16.0	6	1- -6	-6
8.0	7.6	11.8	14.0	5	1- -5	-5
6.0	5.6	9.8	--	4	1- -4	-4
4.0	--	7.8	--	3	1- -3	-3
2.0	--	5.8	--	2	1-292173-2	292173-2
A	B	C	D	Pos.	NATURAL	BLACK
						P/N

TOLERANCES UNLESS OTHERWISE SPECIFIED:
10>* : ±0.2
30>*>10 : ±0.25
100>*>30 : ±0.3
ANGEL : ±3°

THIS DRAWING IS A CONTROLLED DOCUMENT.		DWN	-	
DIMENSIONS: MM		CHK	-	
TOLERANCES UNLESS OTHERWISE SPECIFIED:		APVD	-	
0 PLC ± -		PRODUCT SPEC	108-60016	
1 PLC ± -		APPLICATION SPEC	-	
2 PLC ± -		WEIGHT	-	
3 PLC ± -		CUSTOMER DRAWING	-	
4 PLC ± -		SCALE	//	
ANGLES ± -		SHEET	4 OF 8	
MATERIAL	SEE NOTE	FINISH	SEE NOTE	
TE CONNECTIVITY		SIZE	A3	CAGE CODE
TE CONNECTIVITY		DRAWING NO	C=292173	
TE CONNECTIVITY		RESTRICTED TO	-	
TE CONNECTIVITY		REV	C4	

4

3

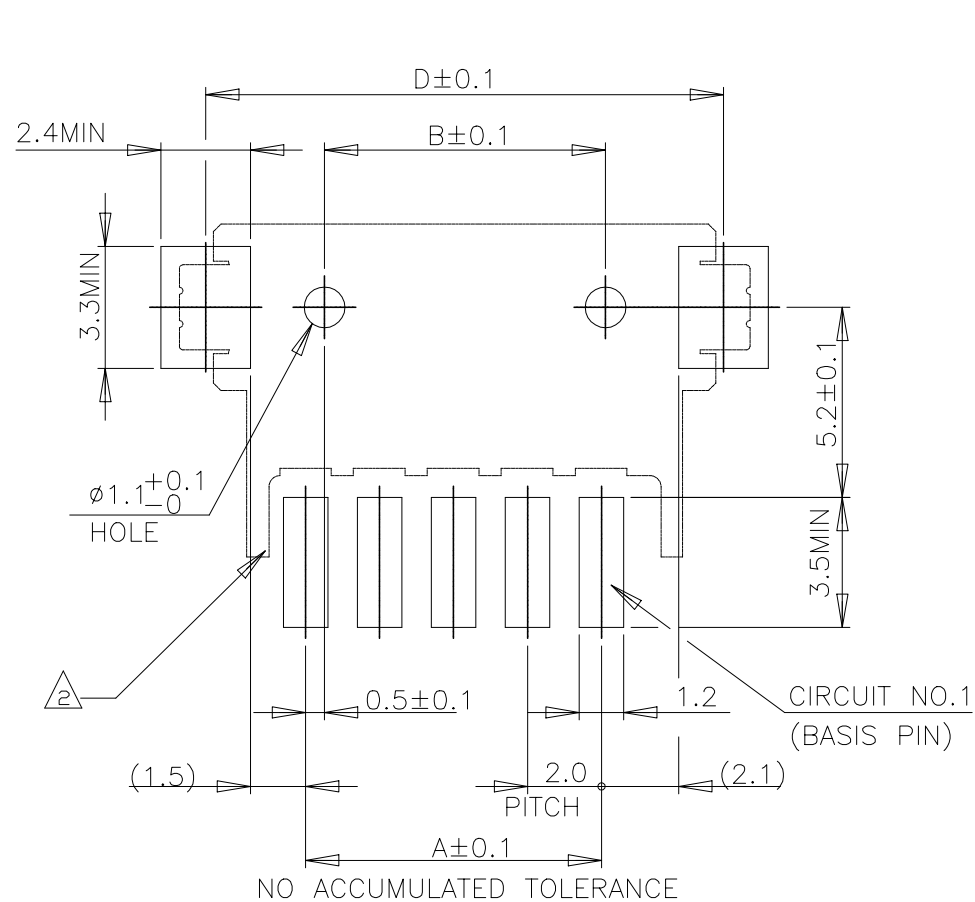
2

1

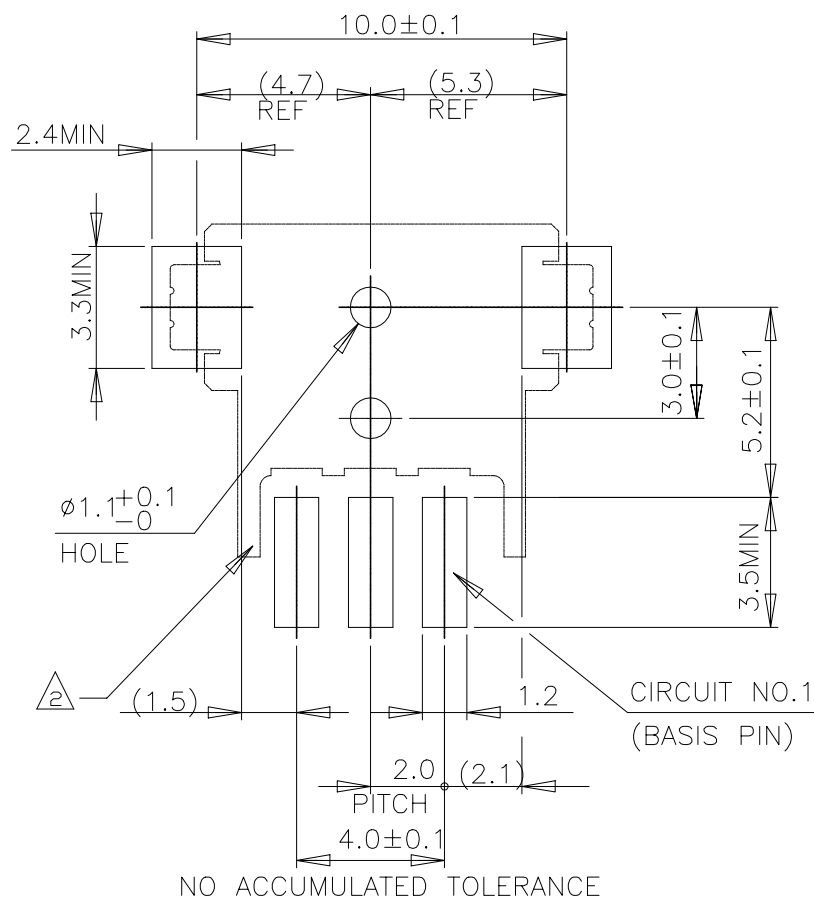
REVISIONS

P	LTR	DESCRIPTION	DATE	DWN	APVD
-	-	SEE SHEET 1	-	-	-

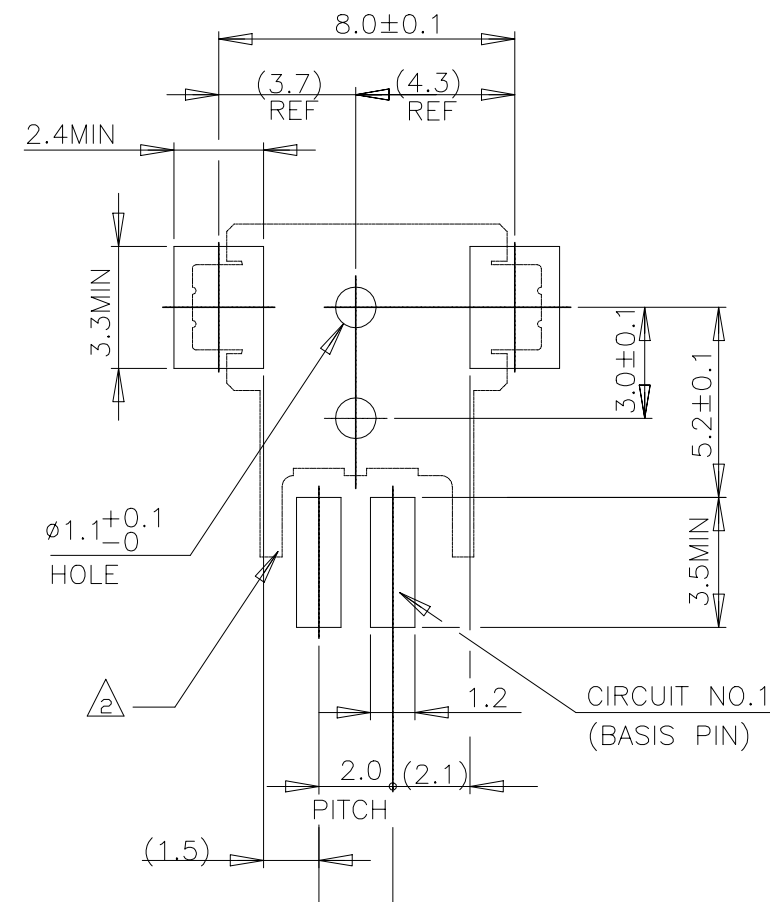
LAYOUT FOR 292173-X,1-292173-X



5 POS. & ABOVE POS.



3 POS.



2 POS.

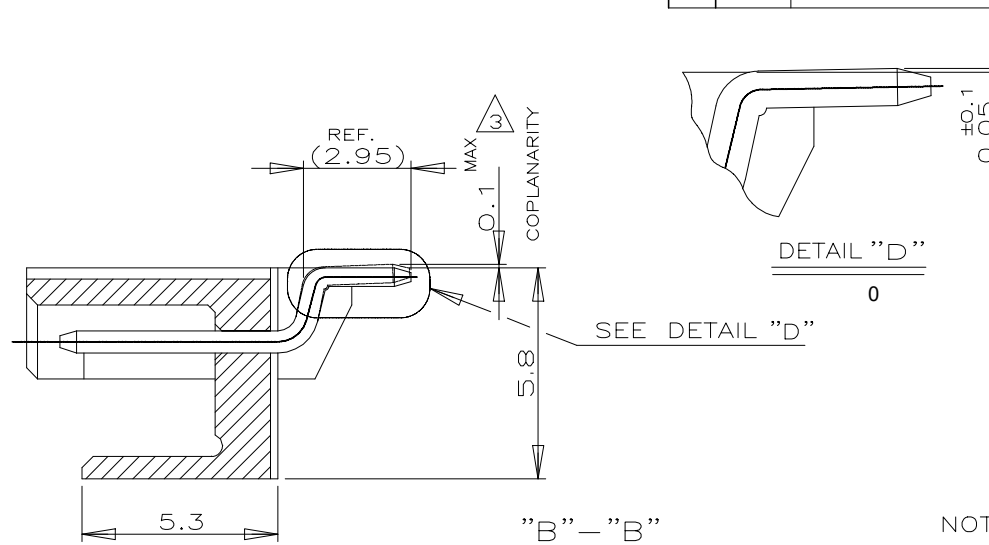
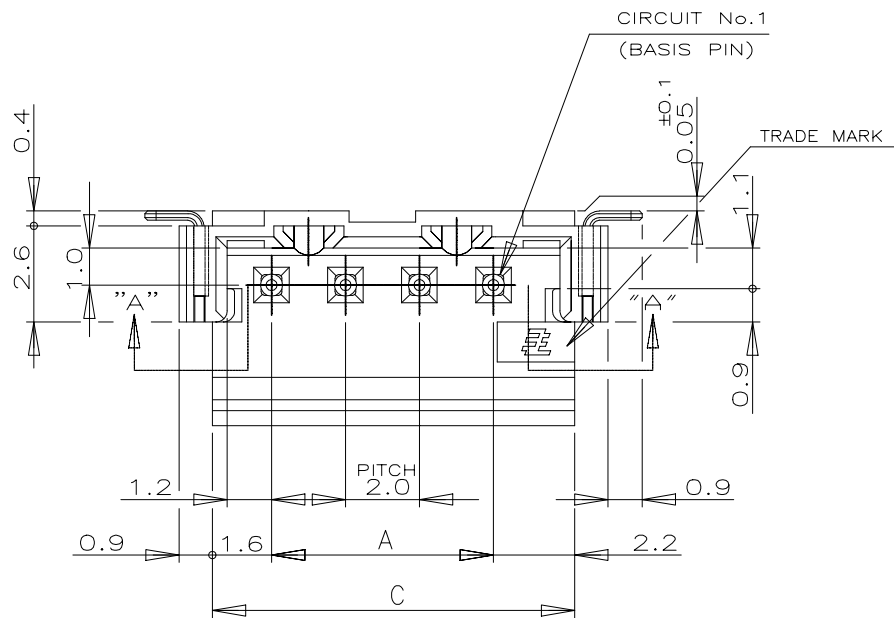
RECOMMENDED P.C. BOARD LAYOUT
(P.C.B THK:0.8mm MIN)

THIS DRAWING IS A CONTROLLED DOCUMENT.		DWN	-		
		CHK	-		
		APVD	-		
		PRODUCT SPEC	-		
		APPLICATION SPEC	-		
		WEIGHT	0		
		CUSTOMER DRAWING	SCALE \neq		
		SHEET 5 OF 8		REV C4	

DIMENSIONS: MM		TOLERANCES UNLESS OTHERWISE SPECIFIED:	
		0 PLC	± -
		1 PLC	± -
		2 PLC	± -
		3 PLC	± -
		4 PLC	± -
MATERIAL		FINISH	

		TE Connectivity Ltd.	
NAME		-	
SMT TYPE POST HDR ASSY H		WITH BOSS TYPE	
CT CONN. 2mm PITCH			
SIZE	CAGE CODE	DRAWING NO	RESTRICTED TO
A3	00779	C=292173	-

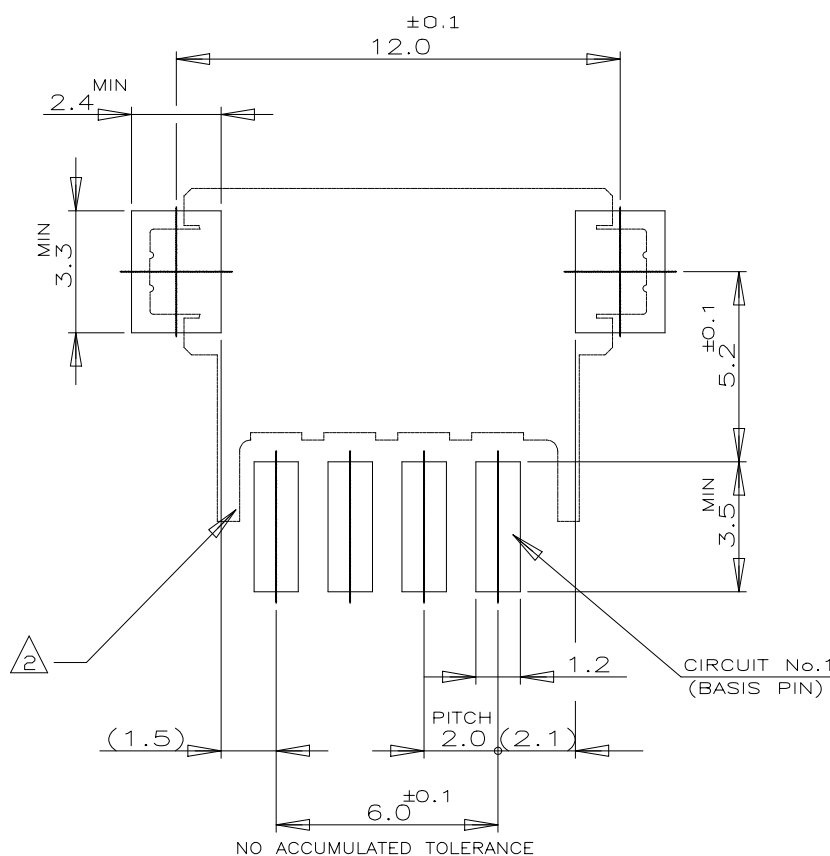
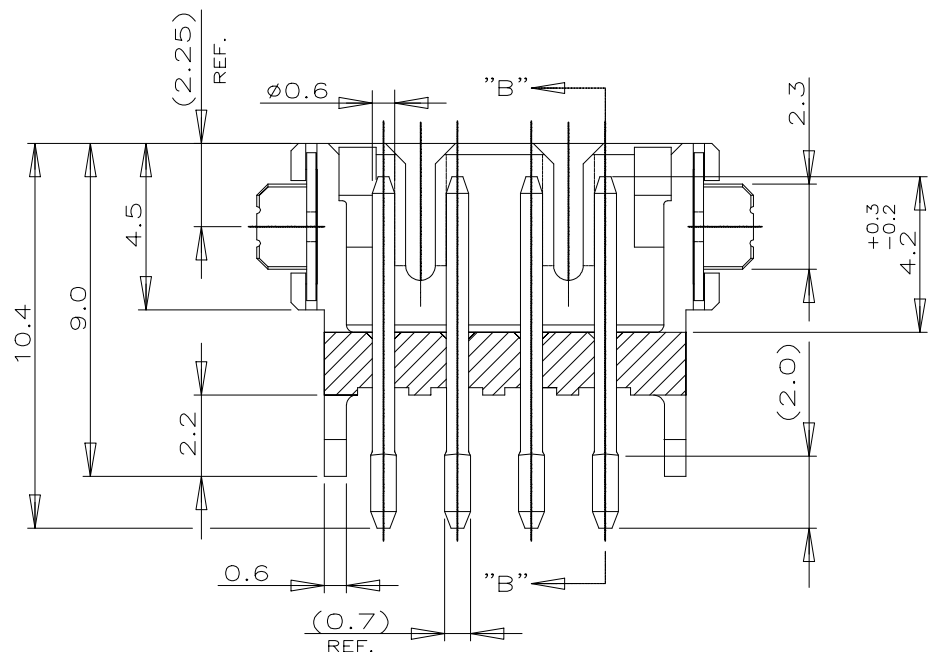
P	LTR	DESCRIPTION	DATE	DWN	APVD
-	-	SEE SHEET 1	-	-	-



(AS SHOWN :4P)

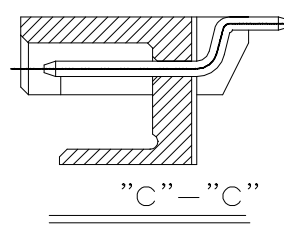
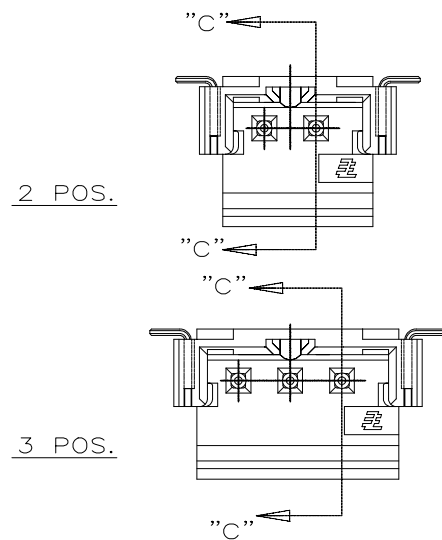
NOTES:

- MATERIAL : HSG-NYLON UL94V-0
COLOR:BLACK,NATURAL
POST:TIN BRASS
TAIL: TIN BRASS
- OCCUPANT AREA ON PC BOARD
- TO BE MEASURED WITH CONNECTOR PLACED ON HORIZONTAL DATUM SURFACE,FLOAT OF SOLDER TINE AND TAIL FROM DATUM SURFACE IS 0.1mm MAX



RECOMENOED P.C.BOARD LAYOUT
(P.C.B THK:0.8mm MIN)

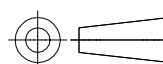
16.0	19.8	22.0	9	3-292173-9	2-292173-9
14.0	17.8	20.0	8	3-▲-8	2-▲-8
12.0	15.8	18.0	7	3-▲-7	2-▲-7
10.0	13.8	16.0	6	3-▲-6	2-▲-6
8.0	11.8	14.0	5	3-▲-5	2-▲-5
6.0	9.8	—	4	3-▲-4	2-▲-4
4.0	7.8	—	3	3-▲-3	2-▲-3
2.0	5.8	—	2	3-292173-2	2-292173-2
A	C	D	Pos.	NATURAL	BLACK
P/N					



R	D
0	0.2
30	0.2
00	0.3
30	3

THIS DRAWING IS A CONTROLLED DOCUMENT.

DIMENSIONS:
MM



MATERIAL
SEE NOTE

TOLERANCES UNLESS OTHERWISE SPECIFIED:

0 PLC	±
1 PLC	±
2 PLC	±
3 PLC	±
4 PLC	±
ANGLES	±

FINISH
SEE NOTE

DWN	-
CHK	-
APVD	-
PRODUCT SPEC	108-60016
APPLICATION SPEC	-
WEIGHT	-
CUSTOMER DRAWING	

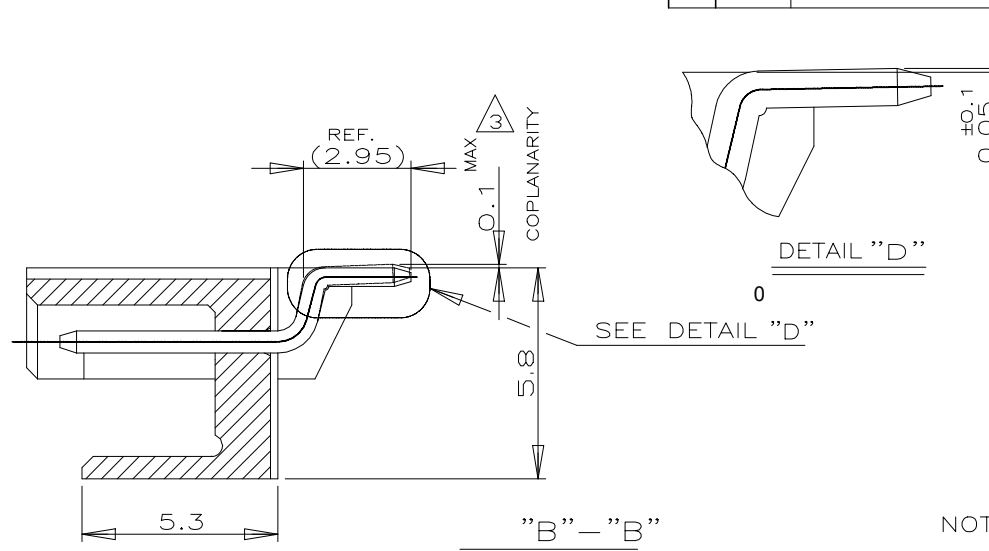
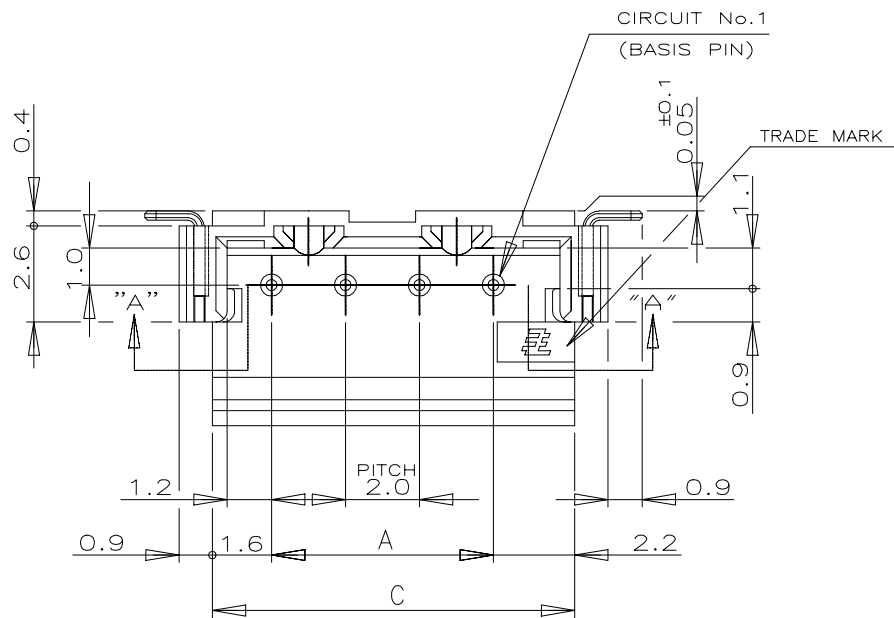
STE TE Connectivity Ltd.

SMT TYPE POST HDR ASS'Y (BOX-H)
W/O BOSS,WITH TAIL TYPE
(TE CT CONN. 2mm PITCH)

SIZE	CAGE CODE	DRAWING NO	RESTRICTED TO
A3	00779	C=292173	-

SCALE \neq SHEET 6 OF 8 REV C4

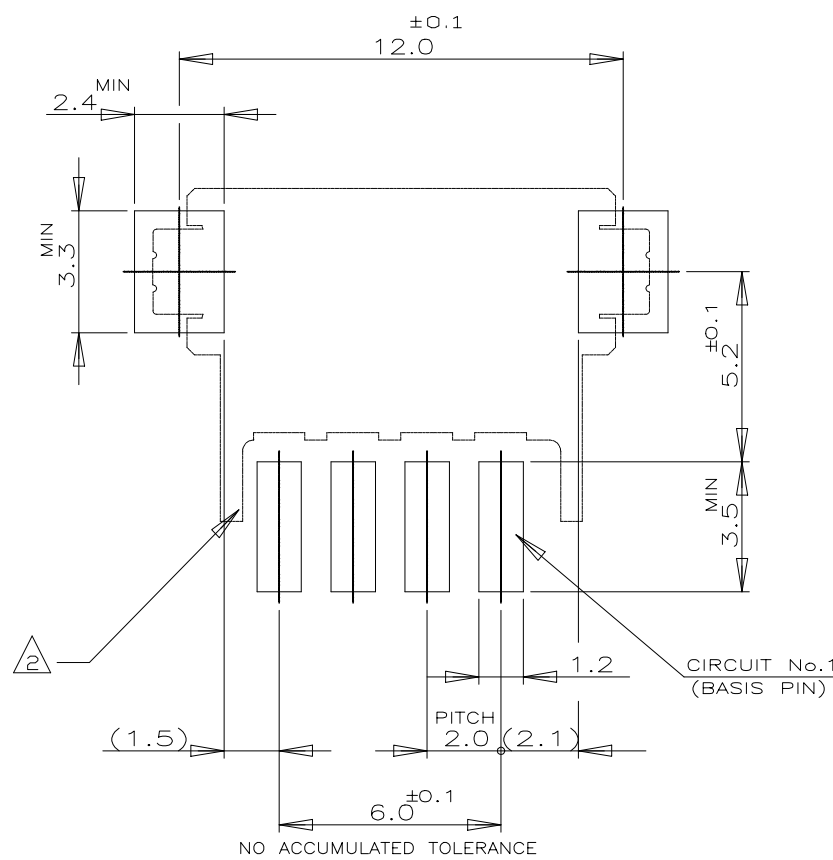
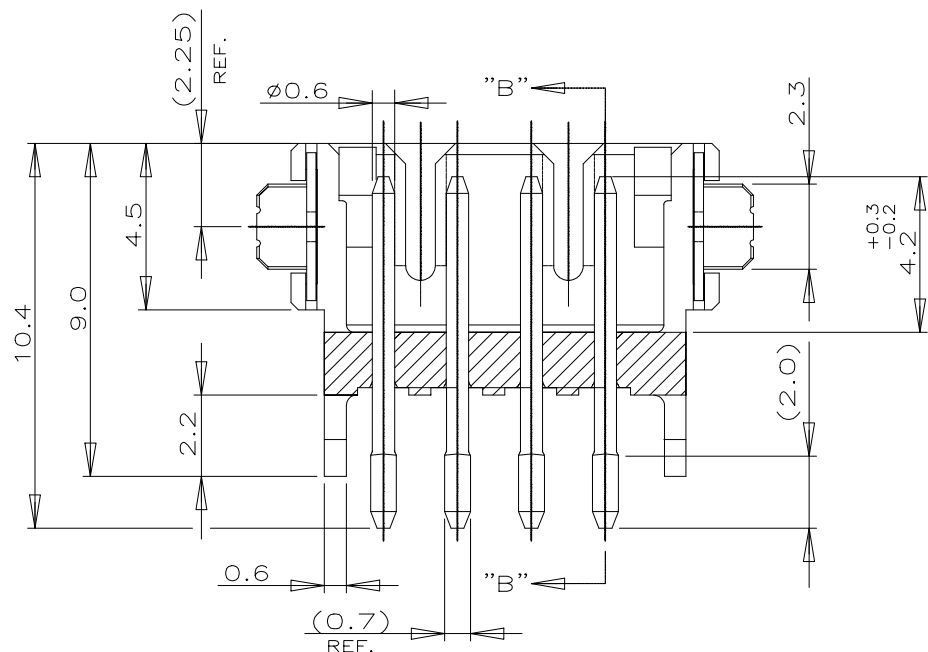
P	LTR	DESCRIPTION	DATE	DWN	APVD
-	-	SEE SHEET 1	-	-	-



(AS SHOWN :4P)

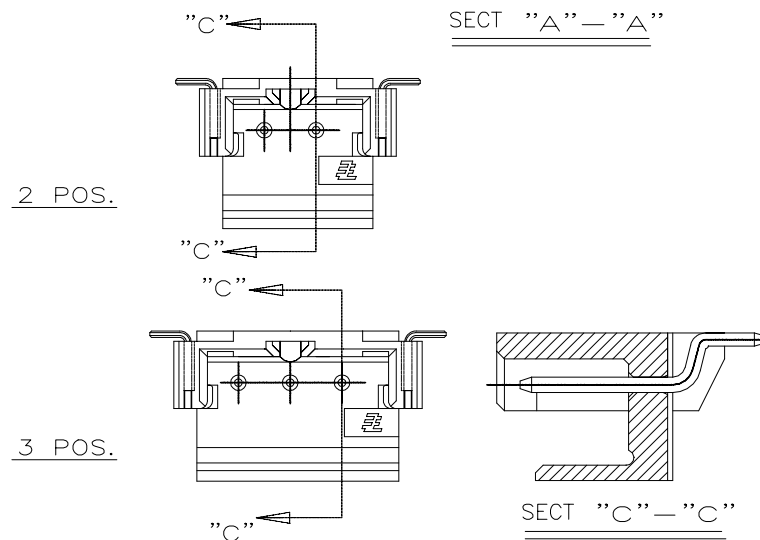
NOTES:

- MATERIAL : HSG-NYLON UL94V-0
COLOR:BLACK,NATURAL
POST:TIN BRASS
TAIL: TIN BRASS
- OCCUPANT AREA ON PC BOARD
- TO BE MEASURED WITH CONNECTOR PLACED ON HORIZONTAL DATUM SURFACE,FLOAT OF SOLDER TINE AND TAIL FROM DATUM SURFACE IS 0.1mm MAX



RECOMENOED P.C.BOARD LAYOUT
(P.C.B THK:0.8mm MIN)

16.0	19.8	22.0	9	3-292173-9	2-292173-9
14.0	17.8	20.0	8	3-▲-8	2-▲-8
12.0	15.8	18.0	7	3-▲-7	2-▲-7
10.0	13.8	16.0	6	3-▲-6	2-▲-6
8.0	11.8	14.0	5	3-▲-5	2-▲-5
6.0	9.8	—	4	3-▲-4	2-▲-4
4.0	7.8	—	3	3-▲-3	2-▲-3
2.0	5.8	—	2	3-292173-2	2-292173-2
A	C	D	Pos.	NATURAL	BLACK
P/N					



TOLERANCES UNLESS OTHERWISE SPECIFIED:
 10>* : ±0.2
 30>* > 10 : ±0.25
 100>* > 30 : ±0.3
 ANGEL : ±3°

THIS DRAWING IS A CONTROLLED DOCUMENT.		DWN	TE Connectivity Ltd.		
DIMENSIONS: MM		CHK	NAME		
TOLERANCES UNLESS OTHERWISE SPECIFIED:		APVD	SMT TYPE POST HDR ASS'Y (BOX-H) W/O BOSS,WITH TAIL TYPE (TE CT CONN. 2mm PITCH)		
0 PLC ±		PRODUCT SPEC	108-60016		
1 PLC ±		APPLICATION SPEC	-		
2 PLC ±		WEIGHT	-		
3 PLC ±		SIZE	A3	CAGE CODE	00779
4 PLC ±		DRAWING NO	C=292173		
ANGLES ±		RESTRICTED TO	-		
MATERIAL SEE NOTE		FINISH SEE NOTE	CUSTOMER DRAWING		
		SCALE	7	SHEET	8
		REV	C4		

4

3

2

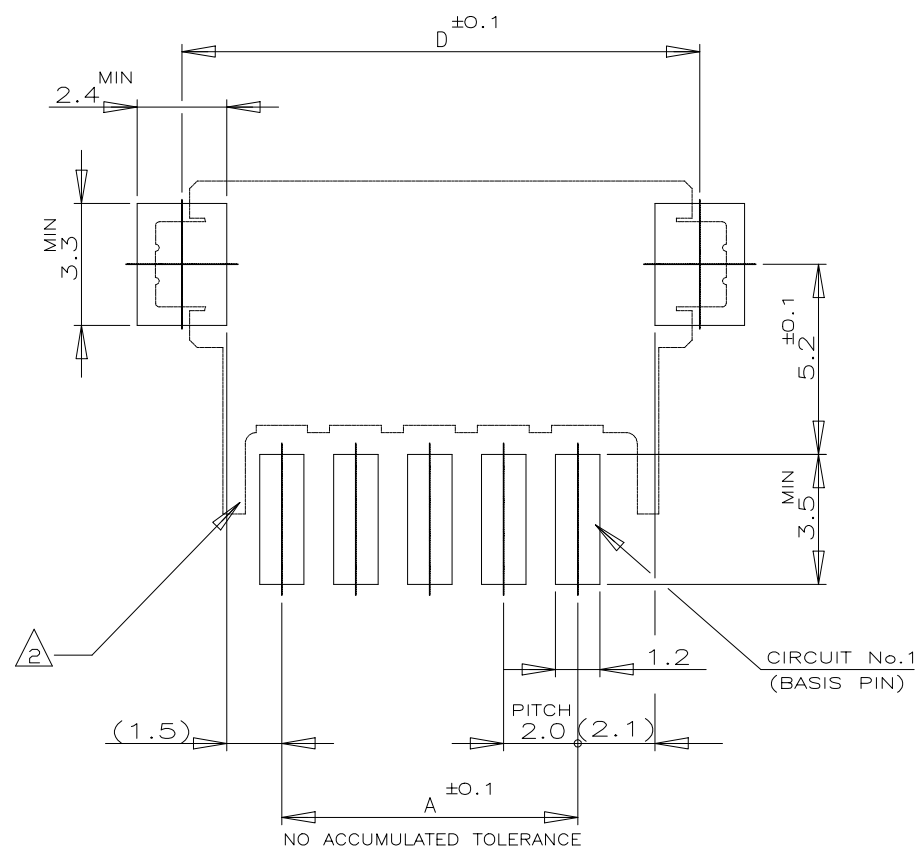
1

© - TE Connectivity. All Rights Reserved.

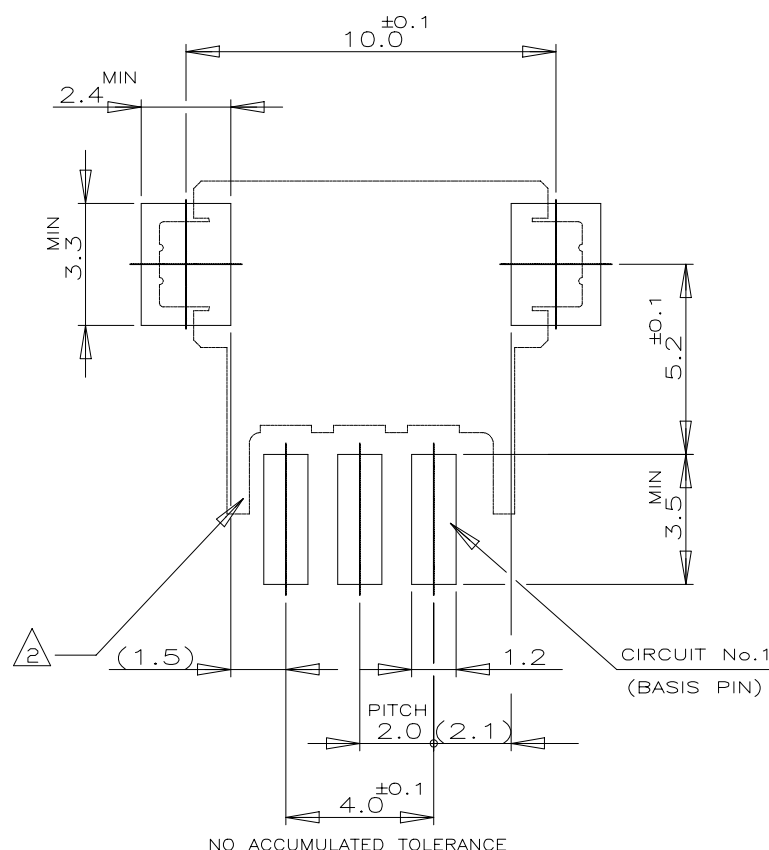
REVISIONS

P	LTR	DESCRIPTION	DATE	DWN	APVD
-	-	SEE SHEET 1	-	-	-

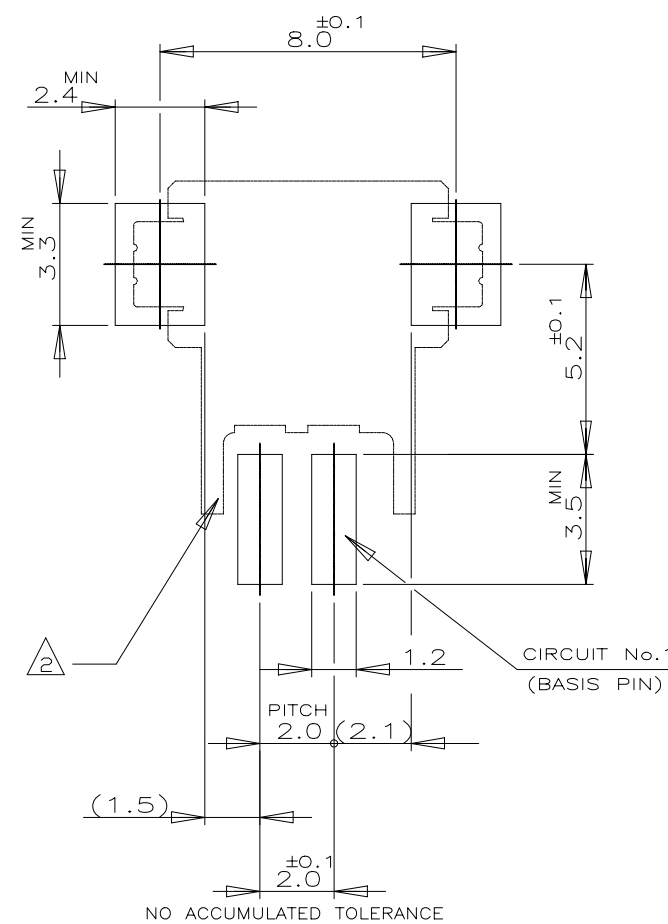
LAYOUT FOR 2-292173-X,3-2-292173-X



5 POS & ABOVE POS



3 POS

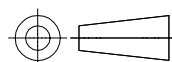


2POS

RECOMENOD P.C.BOARD LAYOUT
(P.C.B THK:0.8mm MIN)

THIS DRAWING IS A CONTROLLED DOCUMENT.

DIMENSIONS:
MM



MATERIAL

TOLERANCES UNLESS OTHERWISE SPECIFIED:

- 0 PLC ± -
- 1 PLC ± -
- 2 PLC ± -
- 3 PLC ± -
- 4 PLC ± -
- ANGLES ± -
- FINISH -

DWN	-
CHK	-
APVD	-
PRODUCT SPEC	-
APPLICATION SPEC	-
WEIGHT	-
CUSTOMER DRAWING	



SMT TYPE POST HDR ASS'Y (H)
W/O, WITH TAIL TYPE
(TE CT CONN. 2mm PITCH)

NAME	SIZE	CAGE CODE	DRAWING NO	RESTRICTED TO
	A3	00779	C=292173	
SCALE			SHEET	REV
+			8 of 8	C4

Mouser Electronics

Authorized Distributor

Click to View Pricing, Inventory, Delivery & Lifecycle Information:

[TE Connectivity:](#)

[2-292173-4](#)