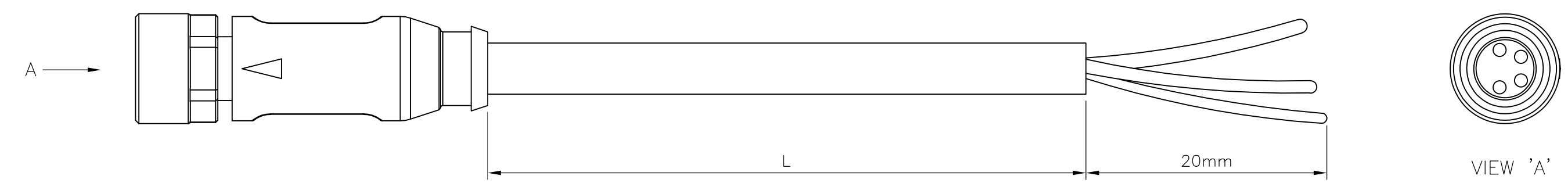


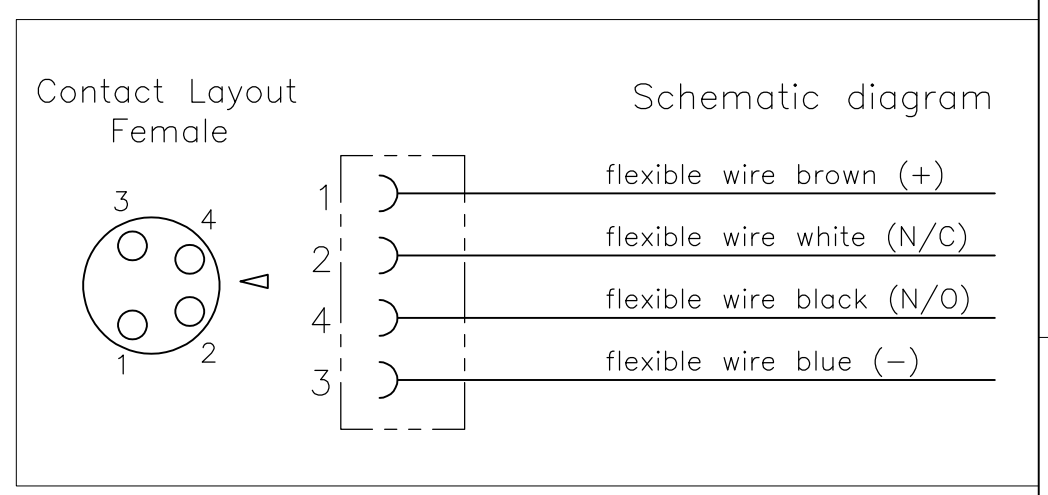
THIS DRAWING IS UNPUBLISHED. RELEASED FOR PUBLICATION
 © COPYRIGHT - By - ALL RIGHTS RESERVED.

LOC	DIST	REVISIONS					
		P	LTR	DESCRIPTION	DATE	DWN	APVD
H	-		A	INITIAL RELEASE	12NOV2013	GSK	BvH
			A1	ECR-14-011671	14AUG2014	GSK	BvH

NOTES:
 Tolerances cable lengths:
 0m to 0.5m +30mm
 0.5m to 1.0m +50mm
 1.0m to 3.0m +100mm
 < 3.0m +1.5%



TECHNICAL DATA	
Operating voltage	max. 30 V AC/DC
Operating current per contact	max. 4 A
Locking of ports	Screw thread M8 x 1 mm (recommended torque 0.4 Nm) self-securing
Protection	IP65 and IP67 when plugged and screwed down (EN 60529)



PUR CABLE	
No./diameter of wires	4 x 0.25 mm ²
Wire isolation	PP (br, wh, bl, bk)
C-track properties	5 million
Jacket	PUR (UL/CSA)
Outer diameter	approx. 4.4 mm
Bend radius (moving)	10 x outer diameter
Temperature range (fixed)	-40...+80 °C
Temperature range (mobile)	-25...+80 °C

PVC CABLE	
No./diameter of wires	4 x 0.25 mm ²
Wire isolation	PVC (br, wh, bl, bk)
C-track properties	
Jacket	PVC (UL/CSA)
Outer diameter	approx. 4.8 mm
Bend radius (moving)	10 x outer diameter
Temperature range (fixed)	-30...+80 °C
Temperature range (mobile)	-5...+80 °C

LENGTH	MATERIAL	JACKET COLOR	TE PN	DESCRIPTION	ITEM
4 pos	PVC	Black	1-2273003-4	4x22AWG PVC 10.0m	8
			1-2273003-3	4x22AWG PVC 5.0m	7
			1-2273003-2	4x22AWG PVC 3.0m	6
			1-2273003-1	4x22AWG PVC 1.5m	5
4 pos	PUR	Black	2273003-4	4x22AWG PUR 10.0m	4
			2273003-3	4x22AWG PUR 5.0m	3
			2273003-2	4x22AWG PUR 3.0m	2
			2273003-1	4x22AWG PUR 1.5m	1

THIS DRAWING IS A CONTROLLED DOCUMENT.		DWN 12NOV2013 SATHISH KUMAR .G		STE TE Connectivity	
		CHK 12NOV2013 B.VELDHOVEN			
DIMENSIONS: mm		APVD 12NOV2013 A.VAN ZANDVOORT		NAME M8 X 1.0 STRAIGHT SOCKET PIGTAIL	
TOLERANCES UNLESS OTHERWISE SPECIFIED:		PRODUCT SPEC 108-19483		RESTRICTED TO	
0 PLC ± -		APPLICATION SPEC 114-32127		SIZE CAGE CODE DRAWING NO	
1 PLC ± -		WEIGHT -		A3 00779 C-2273003	
2 PLC ± -		CUSTOMER DRAWING		SCALE NTS SHEET 1 OF 1 REV A1	
3 PLC ± -					
4 PLC ± -					
ANGLES ± -					
FINISH -					

Mouser Electronics

Authorized Distributor

Click to View Pricing, Inventory, Delivery & Lifecycle Information:

[TE Connectivity:](#)

[2273003-3](#)