

IL CO BK-XC-PAC - Bus coupler



2702635

<https://www.phoenixcontact.com/us/products/2702635>

Please be informed that the data shown in this PDF document is generated from our Online Catalog. Please find the complete data in the user documentation. Our General Terms of Use for Downloads are valid.



Inline, Bus coupler, CANopen[®], MINI COMBICON, Extreme conditions version, transmission speed in the local bus: 500 kbps / 2 Mbps, degree of protection: IP20, including network connector, Inline connector, and marking field

Product Description

The bus coupler is intended for use within a CANopen[®] network. It is the link to the Inline I/O system. Up to 63 Inline devices can be connected to the bus coupler. A corresponding EDS file is available for integrating the Inline station into the programming system. This file can be downloaded via the product at [phoenixcontact.net/products](https://www.phoenixcontact.net/products).

Your advantages

- Automatic detection of the baud rate in the CANopen[®] network
- Programmable modes for behavior in the event of an error
- Emergency messages
- Integrated termination resistor can be switched on or off via DIP switch
- Supports two SDO servers simultaneously
- Trigger modes: event, timer, remote request
- Node and life guarding
- Heartbeat
- Connection to CANopen[®] with 5-pos. MINI COMBICON connector
- Can be used under extreme ambient conditions
- Extended temperature range of -40 °C ... +70 °C (see "Tested successfully: use under extreme ambient conditions" in the data sheet)
- Coated PCBs

Commercial Data

Item number	2702635
Packing unit	1 pc
Minimum order quantity	1 pc
Sales Key	DR01
Product Key	DRI113
Catalog Page	Page 106 (C-6-2019)
GTIN	4055626357546
Weight per Piece (including packing)	175.5 g
Weight per Piece (excluding packing)	169 g
Customs tariff number	85176200
Country of origin	DE

IL CO BK-XC-PAC - Bus coupler

2702635

<https://www.phoenixcontact.com/us/products/2702635>

Technical Data

Dimensions

Dimensional drawing	
Width	40 mm
Height	119.4 mm
Depth	71.5 mm
Note on dimensions	Housing dimensions

Material specifications

Color	green
-------	-------

Interfaces

CANopen[®]

Number of interfaces	1
Connection method	MINI COMBICON
Number of positions	5
Transmission speed	1 Mbps, 800 kbps, 500 kbps, 250 kbps, 125 kbps, 50 kbps, 20 kbps, 10 kbps (Can be set via DIP switch or automatic detection)

Inline local bus

Number of interfaces	1
Connection method	Inline data jumper
Transmission speed	500 kbps / 2 Mbps (automatic detection, no combined system)

Fieldbus: Local bus gateway

Max. number of local bus devices	63 (Consider the logic current consumed by the devices)
----------------------------------	---

System properties

System limits

Number of supported devices	max. 63 (per station)
Number of local bus devices that can be connected	max. 63
Number of devices with parameter channel	max. 16
Number of supported branch terminals with remote bus branch	0

Module

ID code (hex)	none
---------------	------

Product properties

IL CO BK-XC-PAC - Bus coupler



2702635

<https://www.phoenixcontact.com/us/products/2702635>

Type	modular
Product type	I/O component
Product family	Inline
Scope of delivery	including network connector, Inline connector, and marking field
Diagnostics messages	CRC error Message about the emergency object I/O error Message about the emergency object Power error Message about the emergency object Module change errors Message about the emergency object Inactive local bus Message about the emergency object Inline connection error Message about the emergency object Faulty Inline cycles Message about the emergency object

Electrical properties

Potentials

Power consumption	typ. 1.3 W (entire device)
-------------------	----------------------------

Potentials: Bus coupler supply U_{BK} ; Communications power U_L (7.5 V) and the analog supply U_{ANA} (24 V) are generated from the bus coupler supply.

Supply voltage	24 V DC (via Inline connector)
Supply voltage range	19.2 V DC ... 30 V DC (including all tolerances, including ripple)
Current draw	max. 0.9 A (with max. number of connected I/O terminal blocks) typ. 51 mA (No local bus devices connected)

Potentials: Communications power (U_L)

Supply voltage	7.5 V DC max. 0.8 A
Power consumption	typ. 1.3 W (entire device)

Potentials: Supply of analog modules (U_{ANA})

Supply voltage	24 V DC
Supply voltage range	19.2 V DC ... 30 V DC (including all tolerances, including ripple) max. 0.5 A

Potentials: Main circuit supply (U_M)

Supply voltage	24 V DC (via Inline connector)
Supply voltage range	19.2 V DC ... 30 V DC (including all tolerances, including ripple) max. 8 A (sum of $U_M + U_S$)

Potentials: Segment circuit supply (U_S)

Supply voltage	24 V DC (via Inline connector)
Supply voltage range	19.2 V DC ... 30 V DC (including all tolerances, including ripple) max. 8 A (sum of $U_M + U_S$)

Connection data

Connection technology

Connection name	Inline connector
-----------------	------------------

IL CO BK-XC-PAC - Bus coupler



2702635

<https://www.phoenixcontact.com/us/products/2702635>

Conductor connection

Connection method	Spring-cage connection
Conductor cross section solid	0.08 mm ² ... 1.5 mm ²
Conductor cross section flexible	0.08 mm ² ... 1.5 mm ²
Conductor cross section AWG	28 ... 16
Stripping length	8 mm

Inline connector

Connection method	Spring-cage connection
Conductor cross section, rigid	0.08 mm ² ... 1.5 mm ²
Conductor cross section, flexible	0.08 mm ² ... 1.5 mm ²
Conductor cross section AWG	28 ... 16
Stripping length	8 mm

Environmental and real-life conditions

Ambient conditions

Ambient temperature (operation)	-25 °C ... 55 °C (Standard) -40 °C ... 70 °C (Extended, see section "Tested successfully: use under extreme ambient conditions" in the data sheet.)
Degree of protection	IP20
Air pressure (operation)	70 kPa ... 106 kPa (up to 3000 m above sea level)
Air pressure (storage/transport)	70 kPa ... 106 kPa (up to 3000 m above sea level)
Ambient temperature (storage/transport)	-40 °C ... 85 °C
Permissible humidity (operation)	10 % ... 95 % (non-condensing)
Permissible humidity (storage/transport)	10 % ... 95 % (non-condensing)

Standards and regulations

Protection class	III (IEC 61140, EN 61140, VDE 0140-1)
------------------	---------------------------------------

Mounting

Mounting type	DIN rail mounting
---------------	-------------------

IL CO BK-XC-PAC - Bus coupler

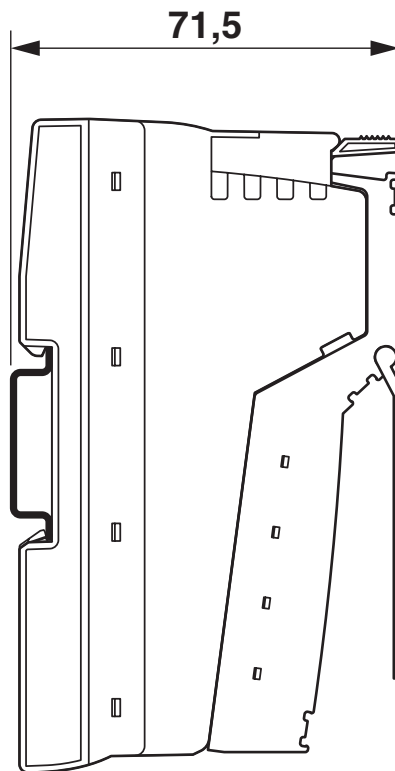
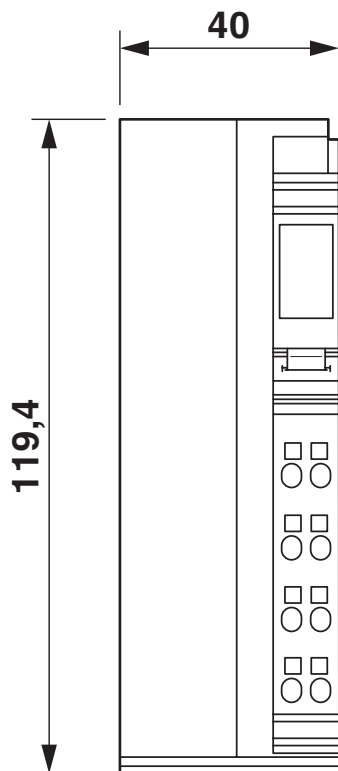
2702635

<https://www.phoenixcontact.com/us/products/2702635>



Drawings

Dimensional drawing



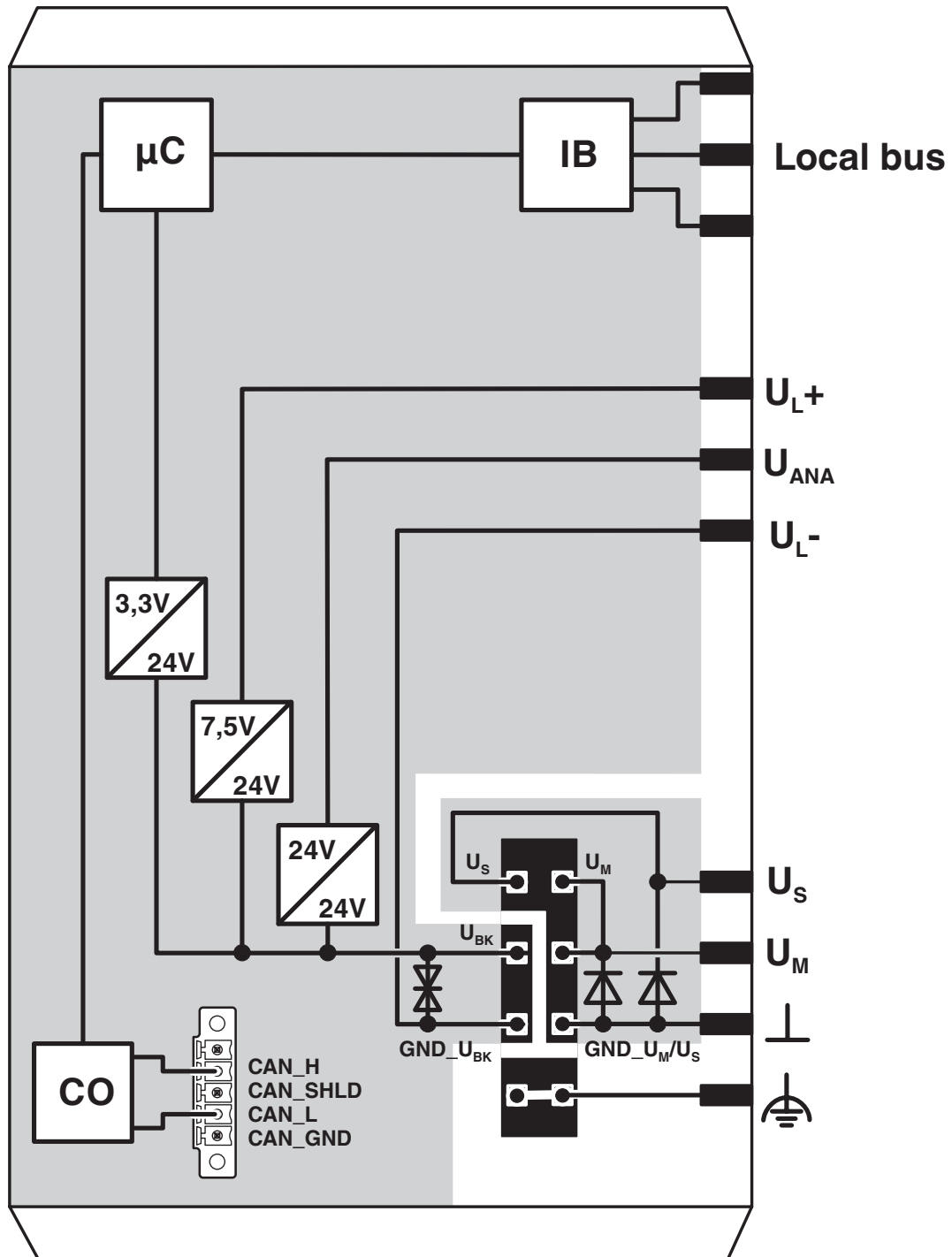
IL CO BK-XC-PAC - Bus coupler

2702635

<https://www.phoenixcontact.com/us/products/2702635>



Block diagram



IL CO BK-XC-PAC - Bus coupler



2702635

<https://www.phoenixcontact.com/us/products/2702635>

Approvals



UL Listed

Approval ID: FILE E 238705



cUL Listed

Approval ID: FILE E 238705

cULus Listed

IL CO BK-XC-PAC - Bus coupler



2702635

<https://www.phoenixcontact.com/us/products/2702635>

Classifications

ECLASS

ECLASS-9.0	27242608
ECLASS-10.0.1	27242608
ECLASS-11.0	27242608
ECLASS-12.0	27242608
ECLASS-13.0	27242608

ETIM

ETIM 8.0	EC001604
----------	----------

UNSPSC

UNSPSC 21.0	32151600
-------------	----------

IL CO BK-XC-PAC - Bus coupler

2702635

<https://www.phoenixcontact.com/us/products/2702635>



Environmental Product Compliance

REACH SVHC	Lead 7439-92-1
China RoHS	Environmentally friendly use period: unlimited = EFUP-e
	No hazardous substances above threshold values

IL CO BK-XC-PAC - Bus coupler

2702635

<https://www.phoenixcontact.com/us/products/2702635>



Accessories

IB IL FIELD 2 - Labeling field

2727501

<https://www.phoenixcontact.com/us/products/2727501>

Labeling field, width: 12.2 mm



ESL 62X10 - Insert strip

0809492

<https://www.phoenixcontact.com/us/products/0809492>

Insert strip, Sheet, white, unlabeled, can be labeled with: Office printing systems: Laser printer, mounting type: insert, lettering field size: 62 x 10 mm, Number of individual labels: 72



IL CO BK-XC-PAC - Bus coupler

2702635

<https://www.phoenixcontact.com/us/products/2702635>



CLIPFIX 35-5 - End clamp

3022276

<https://www.phoenixcontact.com/us/products/3022276>



Quick mounting end clamp for NS 35/7,5 DIN rail or NS 35/15 DIN rail, with marking option, with parking option for FBS...5, FBS...6, KSS 5, KSS 6, width: 5.15 mm, color: gray

CLIPFIX 35 - End clamp

3022218

<https://www.phoenixcontact.com/us/products/3022218>



Quick mounting end clamp for NS 35/7,5 DIN rail or NS 35/15 DIN rail, with marking option, width: 9.5 mm, color: gray

IL CO BK-XC-PAC - Bus coupler

2702635

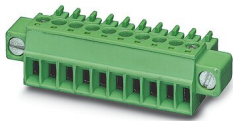
<https://www.phoenixcontact.com/us/products/2702635>



MC 1,5/ 5-STF-3,5 - PCB connector

1847084

<https://www.phoenixcontact.com/us/products/1847084>

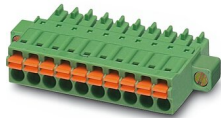


PCB connector, nominal cross section: 1.5 mm², color: green, nominal current: 8 A, rated voltage (III/2): 160 V, contact surface: Tin, type of contact: Female connector, number of potentials: 5, number of rows: 1, number of positions: 5, number of connections: 5, product range: MC 1,5/..-STF, pitch: 3.5 mm, connection method: Screw connection with tension sleeve, screw head form: L Slotted, conductor/PCB connection direction: 0 °, number of solder pins per potential: 1, plug-in system: COMBICON MC 1,5, locking: Screw locking, mounting: Screw flange, type of packaging: packed in cardboard

FMC 1,5/ 5-STF-3,5 - Printed-circuit board connector

1966127

<https://www.phoenixcontact.com/us/products/1966127>



PCB connector, nominal cross section: 1.5 mm², color: green, nominal current: 8 A, rated voltage (III/2): 160 V, contact surface: Tin, type of contact: Female connector, number of potentials: 5, number of rows: 1, number of positions: 5, number of connections: 5, product range: FMC 1,5/..-STF, pitch: 3.5 mm, connection method: Push-in spring connection, conductor/PCB connection direction: 0 °, number of solder pins per potential: 1, plug-in system: COMBICON MC 1,5, locking: Screw locking, mounting: Screw flange, type of packaging: packed in cardboard

IL CO BK-XC-PAC - Bus coupler

2702635

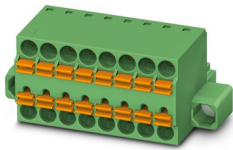
<https://www.phoenixcontact.com/us/products/2702635>



TFMC 1,5/ 5-STF-3,5 - Printed-circuit board connector

1772731

<https://www.phoenixcontact.com/us/products/1772731>



PCB connector, nominal cross section: 1.5 mm², color: green, nominal current: 8 A, rated voltage (III/2): 160 V, contact surface: Tin, type of contact: Female connector, number of potentials: 5, number of rows: 1, number of positions: 5, number of connections: 10, product range: TFMC 1,5/..-STF, pitch: 3.5 mm, connection method: Push-in spring connection, conductor/PCB connection direction: 0 °, plug-in system: COMBICON MC 1,5, locking: Screw locking, mounting: Screw flange, type of packaging: packed in cardboard

Phoenix Contact 2023 © - all rights reserved

<https://www.phoenixcontact.com>

Phoenix Contact USA
586 Fulling Mill Road
Middletown, PA 17057, United States
(+717) 944-1300
info@phoenixcon.com