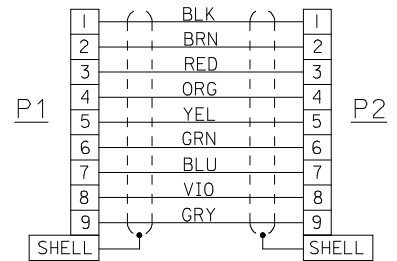
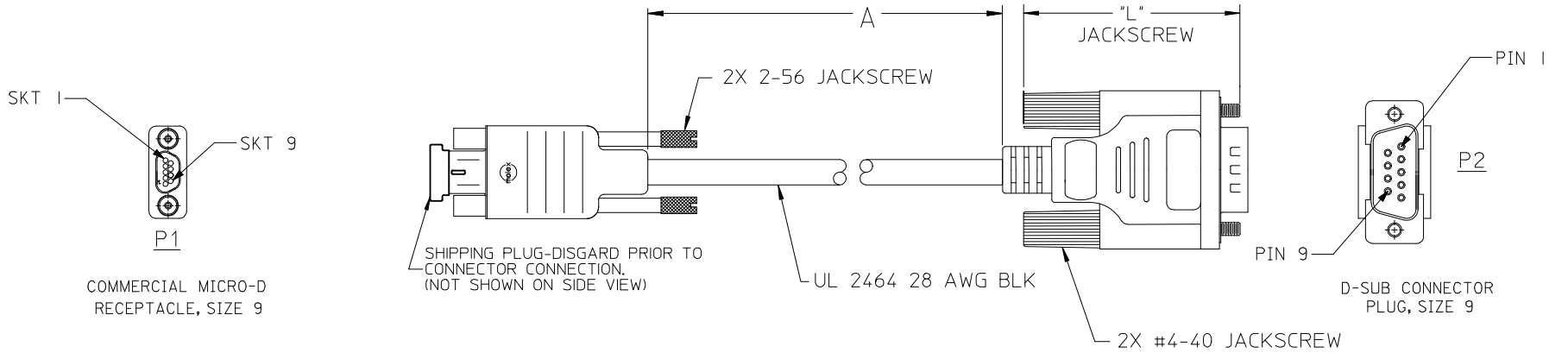


10	9	8	7	6
MATERIAL NO.	ENGINEERING NO.	CUT LENGTH "A"	TOLERANCES	DIM "L"
834219036	83421-9036	18.5 / 470.0	± .5 / 13.00	1.83 / 46.5
834219037	93421-9037	36.5 / 927.1	± .5 / 13.00	1.83 / 46.5
834219038	93421-9038	72.5 / 1841.5	± .5 / 13.00	1.83 / 46.5
834219286	83421-9286	196.8 / 5000.0	±3.94 / 100.0	1.73 / 44.0

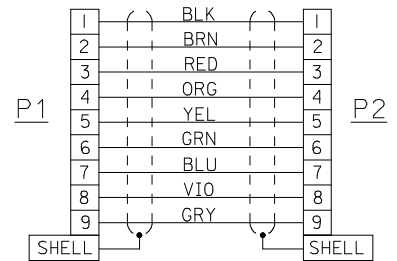
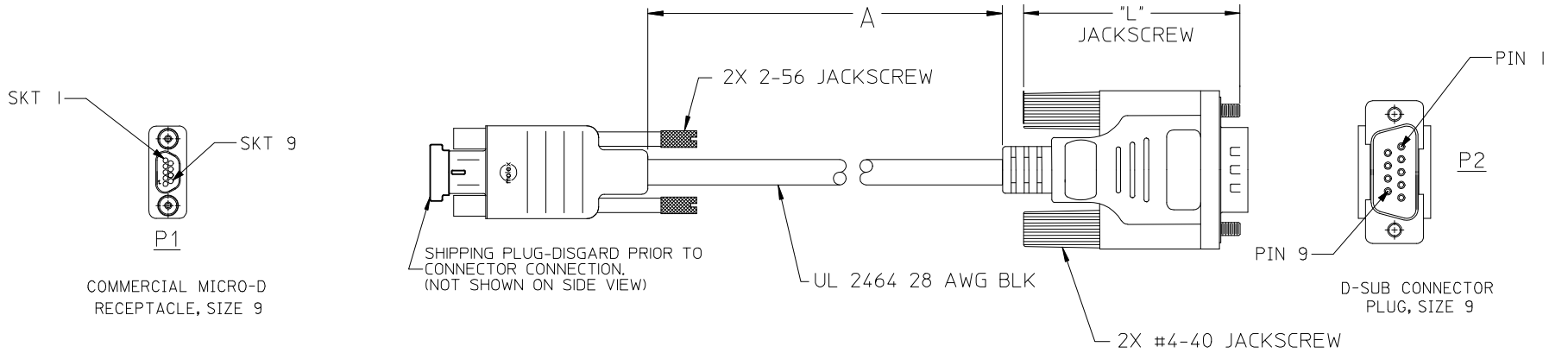


- NOTE: UNLESS OTHERWISE SPECIFIED.
- CABLE: UL 2464, 28 AWG. OR EQUIVALENT
9 TOTAL CONDUCTORS, TINNED COPPER, 7 STRANDS,
WIRE INSULATION: PVC.
SHIELD: AL-FOIL / MYLAR, INCLUDING DRAIN WIRE & BRAID
OUTER CABLE JACKET: PVC, COLOR BLACK.
 - REFER TO PS-83421-9000 FOR PRODUCT SPECIFICATION.
REFER TO DWG, E-83421-001 FOR ASSEMBLY INSTRUCTION.
 - MICRO D 9 SOCKET CONNECTOR:
INTERNAL INSULATOR: THERMOPLASTIC, UL 94V-0
CONTACTS: COPPER ALLOY, GOLD PLATE OVER NICKEL PLATING.
MOLEX CONTACT # 83000-9503
INTERNAL BACKSHELL: NICKEL PLATED STEEL,
EXTERNAL SHROUD; NICKEL PLATED STEEL.
EXTERNAL INSULATOR: BLACK MOLDED PVC.
 - D-SUB HIGH DENSITY 9 PIN MALE CONNECTOR (SOLDER TYPE)
WITH OVERMOLDED INSULATOR.
 - MARKING: NONE.
 - ASSEMBLY IS ROHS COMPLIANT.

REV LETTER "I" WAS INTENTIONALLY NOT USED

REMOVE 834219289 EC NO: WNA2010-0093 DRAWN: BRUPERT 2009/08/17 CHKD: BRUPERT APPR: JFURPHY 2009/09/23	QUALITY SYMBOLS	GENERAL TOLERANCES (UNLESS SPECIFIED)	DIMENSION STYLE	SCALE	DESIGN UNITS	THIRD ANGLE PROJECTION
	=0 =0	mm	IN/MM	DRAWN BY DATE J. LOMASTRO 02-17-06 CHECKED BY DATE R. DERROSS 02-21-06 APPROVED BY DATE R. DERROSS 02-21-06	INCH	TITLE CABLE ASSEMBLY 9 SKT COMM. MICRO D 9 PIN D-SUB
		4 PLACES ± --- ± ---				
		3 PLACES ± --- ± .005				
2 PLACES ± 0.13 ± .020					MOLEX INCORPORATED	
1 PLACE ± 0.51 ± ---					DOCUMENT NO. SD-83421-021	SHEET NO. 1 OF 1
		ANGULAR ± .5 °				
		DRAFT WHERE APPLICABLE MUST REMAIN WITHIN DIMENSIONS	SEE CHART			
			THIS DRAWING CONTAINS INFORMATION THAT IS PROPRIETARY TO MOLEX INCORPORATED AND SHOULD NOT BE USED WITHOUT WRITTEN PERMISSION			

10	9	8	7	6
MATERIAL NO.	ENGINEERING NO.	CUT LENGTH "A"	TOLERANCES	DIM "L"
834219036	83421-9036	18.5 / 470.0	± .5 / 13.00	1.83 / 46.5
834219037	93421-9037	36.5 / 927.1	± .5 / 13.00	1.83 / 46.5
834219038	93421-9038	72.5 / 1841.5	± .5 / 13.00	1.83 / 46.5
834219286	83421-9286	196.8 / 5000.0	±3.94 / 100.0	1.73 / 44.0



- NOTE: UNLESS OTHERWISE SPECIFIED.
- CABLE: UL 2464, 28 AWG. OR EQUIVALENT
9 TOTAL CONDUCTORS, TINNED COPPER, 7 STRANDS,
WIRE INSULATION: PVC.
SHIELD: AL-FOIL / MYLAR, INCLUDING DRAIN WIRE & BRAID
OUTER CABLE JACKET: PVC, COLOR BLACK.
 - REFER TO PS-83421-9000 FOR PRODUCT SPECIFICATION.
REFER TO DWG, E-83421-001 FOR ASSEMBLY INSTRUCTION.
 - MICRO D 9 SOCKET CONNECTOR:
INTERNAL INSULATOR: THERMOPLASTIC, UL 94V-0
CONTACTS: COPPER ALLOY, GOLD PLATE OVER NICKEL PLATING.
MOLEX CONTACT # 83000-9503
INTERNAL BACKSHELL: NICKEL PLATED STEEL,
EXTERNAL SHROUD; NICKEL PLATED STEEL.
EXTERNAL INSULATOR: BLACK MOLDED PVC.
 - D-SUB HIGH DENSITY 9 PIN MALE CONNECTOR (SOLDER TYPE)
WITH OVERMOLDED INSULATOR.
 - MARKING: NONE.
 - ASSEMBLY IS ROHS COMPLIANT.

REV LETTER "I" WAS INTENTIONALLY NOT USED

REMOVE 834219289 EC NO: WNA2010-0093 DRAWN: BRUPERT 2009/08/17 CHKD: BRUPERT APPR: JFURPHY 2009/09/23	QUALITY SYMBOLS	GENERAL TOLERANCES (UNLESS SPECIFIED)	DIMENSION STYLE	SCALE	DESIGN UNITS	THIRD ANGLE PROJECTION															
	$\nabla=0$ $\nabla=0$	<table border="1"> <thead> <tr> <th></th> <th>mm</th> <th>INCH</th> </tr> </thead> <tbody> <tr> <td>4 PLACES</td> <td>± ---</td> <td>± ---</td> </tr> <tr> <td>3 PLACES</td> <td>± ---</td> <td>± .005</td> </tr> <tr> <td>2 PLACES</td> <td>± 0.13</td> <td>± .020</td> </tr> <tr> <td>1 PLACE</td> <td>± 0.51</td> <td>± ---</td> </tr> </tbody> </table>		mm	INCH	4 PLACES	± ---	± ---	3 PLACES	± ---	± .005	2 PLACES	± 0.13	± .020	1 PLACE	± 0.51	± ---	IN/MM		INCH	
		mm	INCH																		
	4 PLACES	± ---	± ---																		
3 PLACES	± ---	± .005																			
2 PLACES	± 0.13	± .020																			
1 PLACE	± 0.51	± ---																			
DRAFT WHERE APPLICABLE MUST REMAIN WITHIN DIMENSIONS	DRAWN BY DATE J. LOMASTRO 02-17-06 CHECKED BY DATE R. DEROSS 02-21-06 APPROVED BY DATE R. DEROSS 02-21-06	TITLE	CABLE ASSEMBLY 9 SKT COMM. MICRO D 9 PIN D-SUB																		
		MATERIAL NO.	DOCUMENT NO.	MOLEX INCORPORATED SD-83421-021																	
		SIZE	THIS DRAWING CONTAINS INFORMATION THAT IS PROPRIETARY TO MOLEX INCORPORATED AND SHOULD NOT BE USED WITHOUT WRITTEN PERMISSION			SHEET NO.															
		B				1 OF 1															

Mouser Electronics

Authorized Distributor

Click to View Pricing, Inventory, Delivery & Lifecycle Information:

[Molex:](#)

[83421-9286](#)