

FEATURES

- Quick connection and disconnection
- Lighter and more compact
- Specific configurations to satisfy the advanced robotics
- Silicon free
- Operating temperature range is from -20 °C to 80 °C

RS PRO Bulkhead Orienting Elbow

RS Stock No.: 2312674



RS PROfessionally Approved Products bring to you professional quality parts across all product categories. Our product range has been tested by engineers and provides a comparable quality to the leading brands without paying a premium price.

Product Description

The RS PRO bulkhead orienting elbow works in -99 to 20 bar pressure range. It mainly used in robotics, automotive, textile, packaging, handling, compressed air circuit applications. It is lighter and more compact which offers to demanding customers high performances. Operating temperature range is from - 20 °C to + 80 °C. RoHS and REACH compliant.

General Specifications

| | |
|-----------------------------------|--|
| Pneumatic Fitting Type | Elbow Fitting |
| Angle | 90° |
| Shape Type | Elbow |
| Maximum Operating Pressure | 20bar |
| Applications | Robotics, Automotive, Textile, Packaging, Handling, Compressed Air Circuit Applications. |

Mechanical Specifications

| | |
|--------------------------------------|------------------|
| Connection Style | Threaded-to-Tube |
| Number of Inlet Ports | 1 |
| Inlet Port | Push In 8mm |
| Number of Outlet Ports | 1 |
| Tube Connection A | Push In 8mm |
| Tube Connection A - Tube Size | 8mm |
| Tube Connection B | M16 |
| Tube Connection B - Tube Size | M16 |
| Threaded Connection | M16 x 1 |

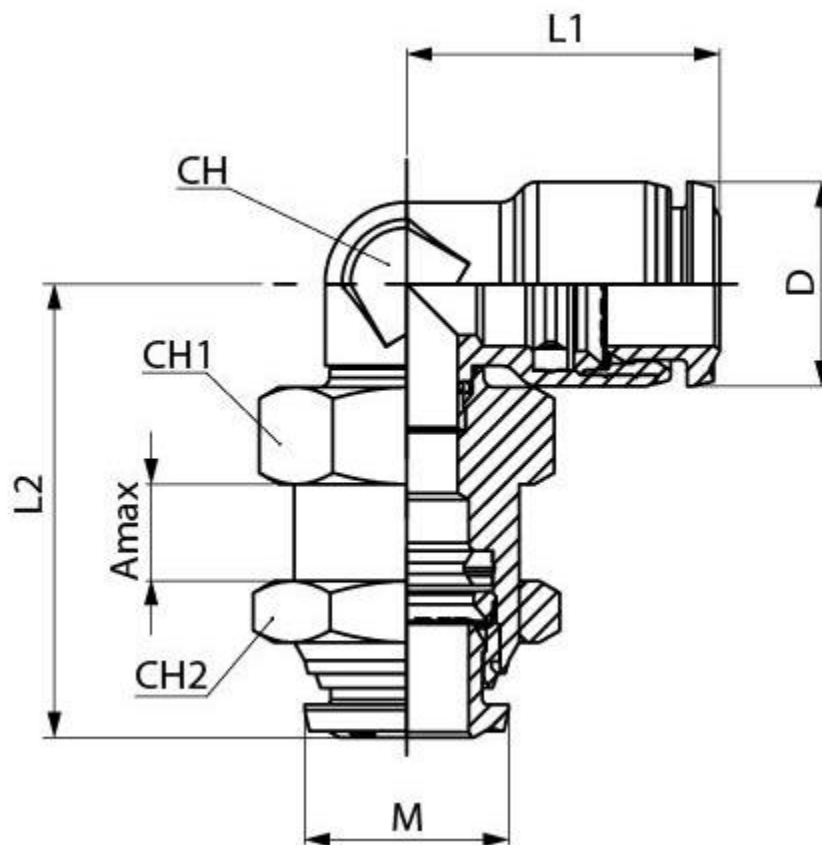
| Connectors | |
|-----------------------|-------------|
| Connector A | Push In 8mm |
| Threaded Connection A | Push In 8mm |
| Connector B | M16 |
| Threaded Connection B | M16 |

Operation Environment Specifications

| | |
|-------------------------------|-------|
| Maximum Operating Temperature | +80°C |
| Minimum Operating Temperature | -20°C |

Similar Products

| Parameters | 2312668 | 2312669 |
|--------------------------------|-----------------------------------|-----------------------------------|
| Brand | RS PRO | RS PRO |
| Pneumatic Fitting Type | Bulkhead Threaded-to-Tube Adaptor | Bulkhead Threaded-to-Tube Adaptor |
| Angle | Straight | Straight |
| Shape Type | Straight | Straight |
| Maximum Operating Pressure | 20bar | 20bar |
| Connection Style | Threaded-to-Tube | Threaded-to-Tube |
| Number of Inlet Ports | 1 | 1 |
| Inlet Port | Push In 4mm | Push In 6mm |
| Tube Connection A | Push In 4mm | Push In 6mm |
| Tube Connection A - Tube Size | 4mm | 6mm |
| Tube Connection B | 1/8 in Female | 1/4 in Female |
| Tube Connection B - Tube Size | 1/8 in | 1/4 in |
| Threaded Connection | 1/8 in Female | 1/4 in Female |
| Length | 29mm | 33mm |
| Wrench Size 1 | 15mm | 16mm |
| Wrench Size 2 | 17mm | 17mm |
| Connector A | Push In 4mm | Push In 6mm |
| Threaded Connection A | 4mm | 6mm |
| Connector B | 1/8 in Female | 1/4 in Female |
| Threaded Connection B | 1/8in | 1/4in |
| Threaded Connection B – Gender | Female | Female |



| Tube | M | L1 | L2 | CH | CH1 | CH2 | A max | D | Pack. |
|------|-------|------|----|----|-----|-----|-------|----|-------|
| 8 | M16x1 | 22.5 | 34 | 10 | 18 | 19 | 7 | 14 | 10 |