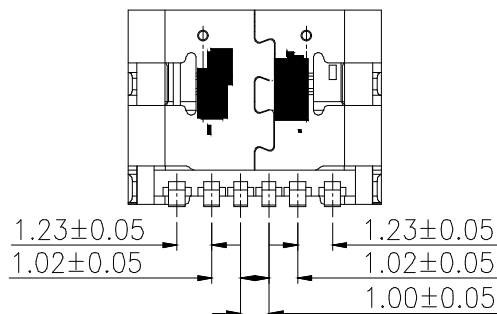
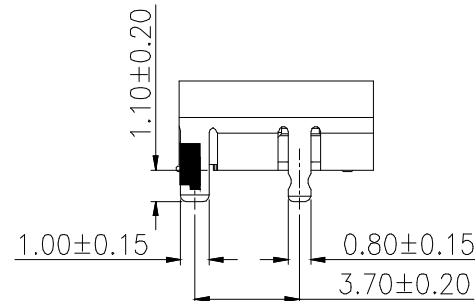
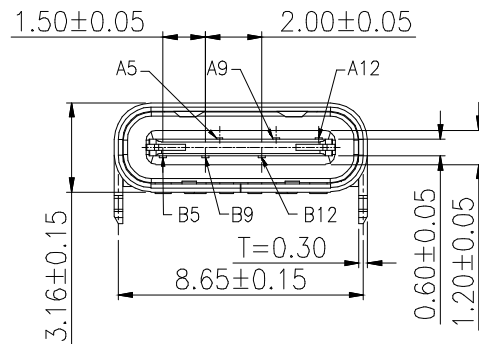


NOTES:

- MATERIAL:
  - MOLDING: LCP UL94 V-0
  - CONTACT: COPPER ALLOY.
  - GOLD PLATED Min ON CONTACT AREA, 100u"
  - Min TIN (LEAD FREE) ON SOLDER AREA,
  - SHELL: COPPER ALLOY=0.30±0.03mm
  - 50u" NICKEL PLATING OVER ALL.
- MECHANICAL:
  - INSERTION: 5~20N.
  - EXTRACTION: 8~20N AFTER TEST.
  - DURABILITY: 5000 CYCLES
- ELECTRICAL:
  - CURRENT: 3.5A FOR VBUS;
  - 1.25A FOR GND PIN.
  - 0.25A FOR OTHER.
  - VOLTAGE: 20 V MAX
  - WITHSTANDING VOLTAGE: 100V AC R.M.S.
  - CONTACT RESISTANCE: 40mΩ MAX.
  - INSULATION RESISTANCE: 100MΩ MIN.
- ENVIRONMENTAL
  - TEMPERATURE RANGE -25°C ~ +85°C



USB TYPE-C PIN ASSIGNMENTS

PIN	SIGNAL NAME	PIN	SIGNAL NAME
A5	CC1	B12	GND
A9	VBUS	B9	VBUS
A12	GND	B5	CC2

			GENERAL TOLERANCE		制 图 DRAWING		深圳市华灿天禄电子有限公司 ShenzhenhuacantianluELECTRONICS CO., LTD			
			DIM	TOL	审 核 CHECK					
			X.X	±0.30	批 准 APPROVAL		产品名称 TITLE	Type c 6P 板上 脚长1.1	版本 REV.	A
1	初版发行		X.XX	±0.20	比 例 SCALE		产品料号 PART NO.	HC-TYPE-C-6P-01A	单 位 UNITS	mm
序号 No.	变更内容 MODIFY CONTENT	日期 MODIFY DATE	Angle	±3.0°	投 影 Projection		材 料 MATERIAL		页 次 SHEET	1/2