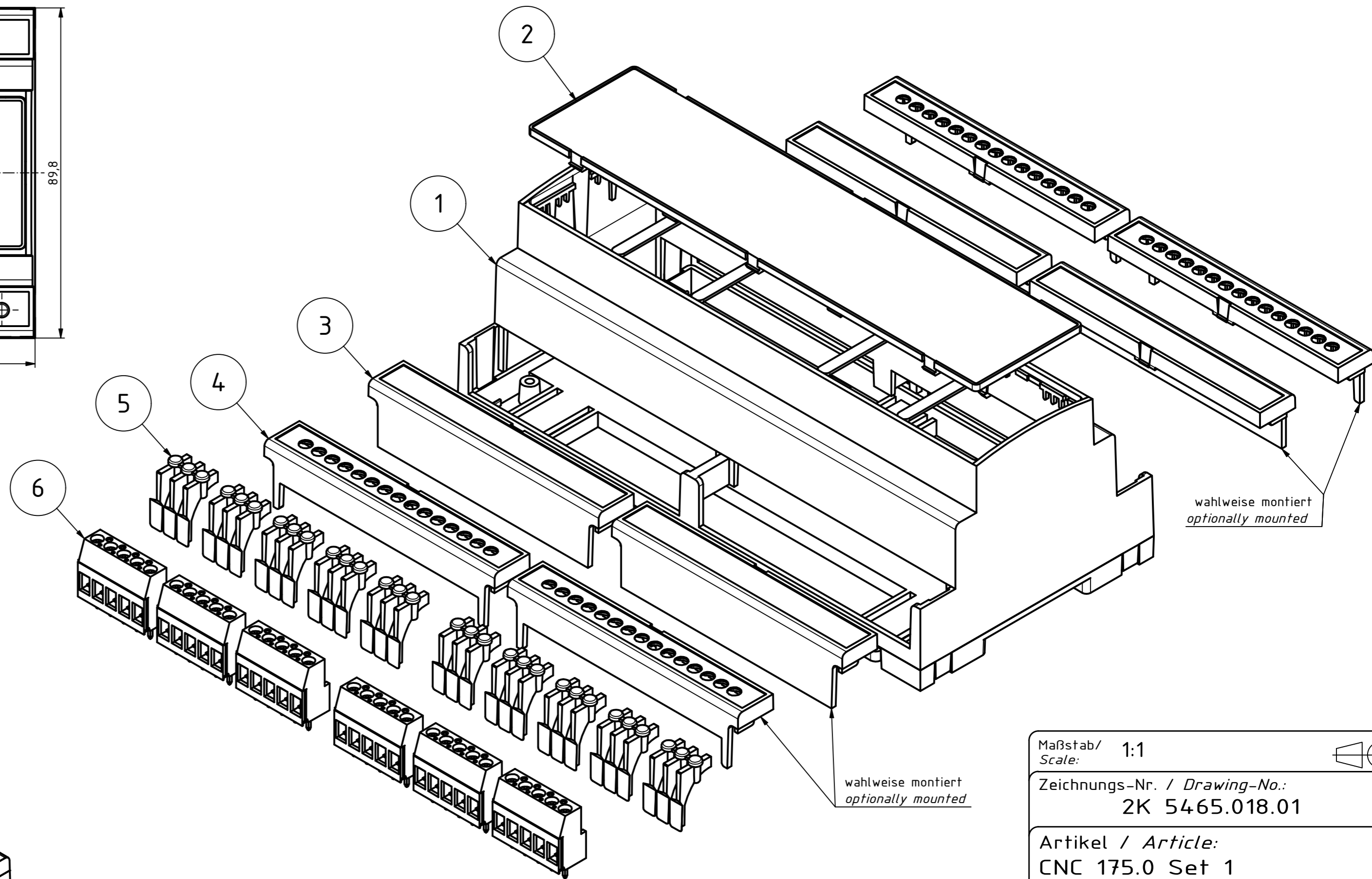
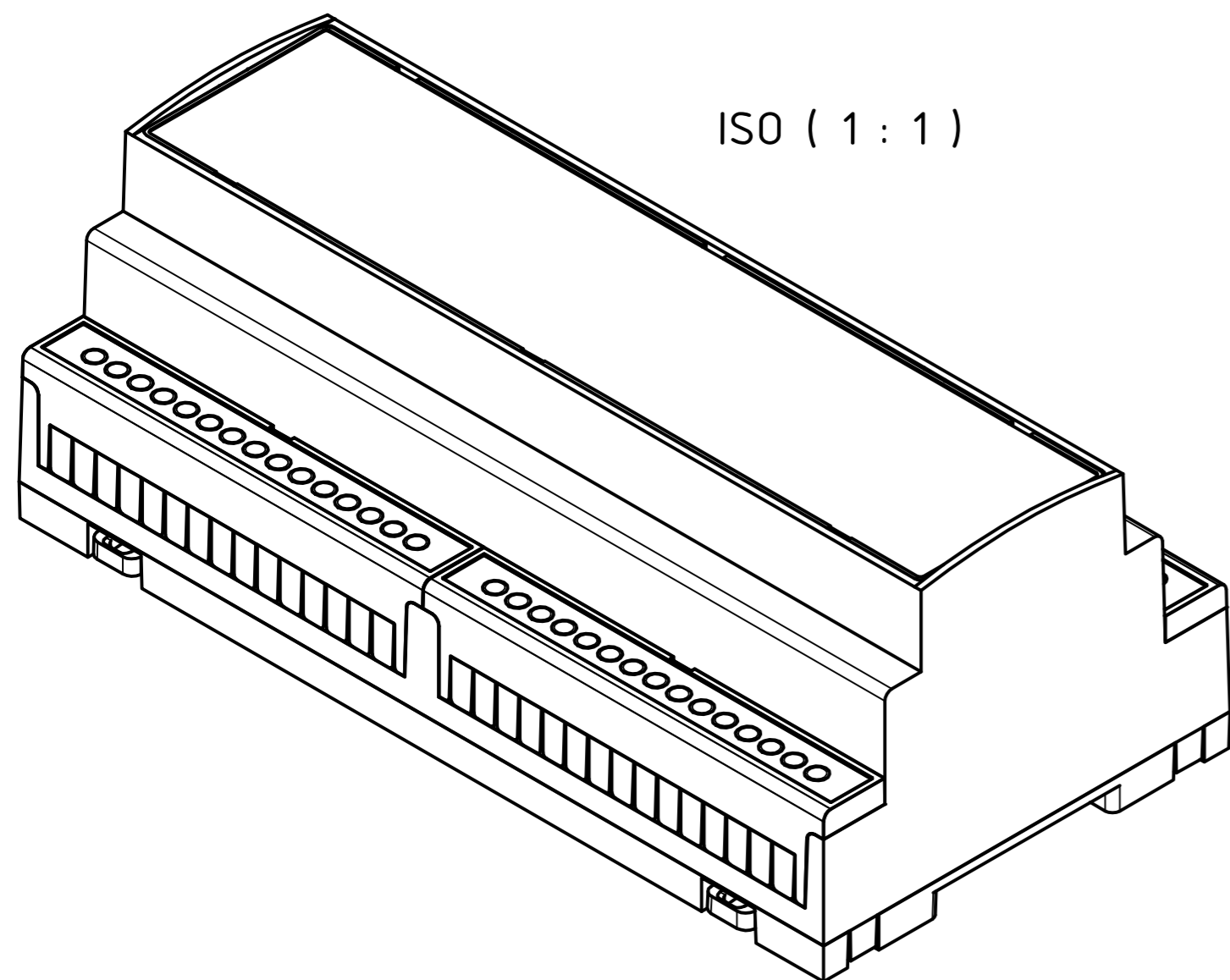
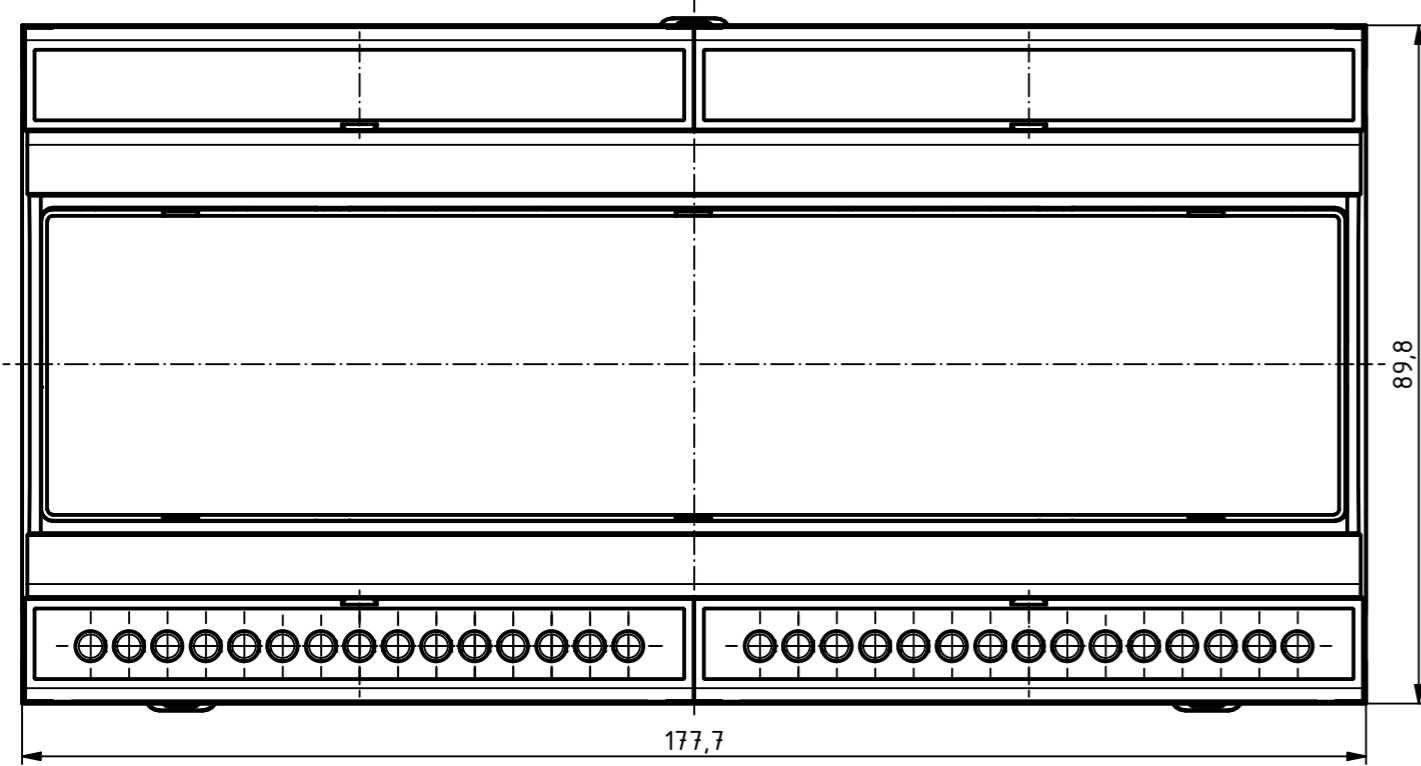
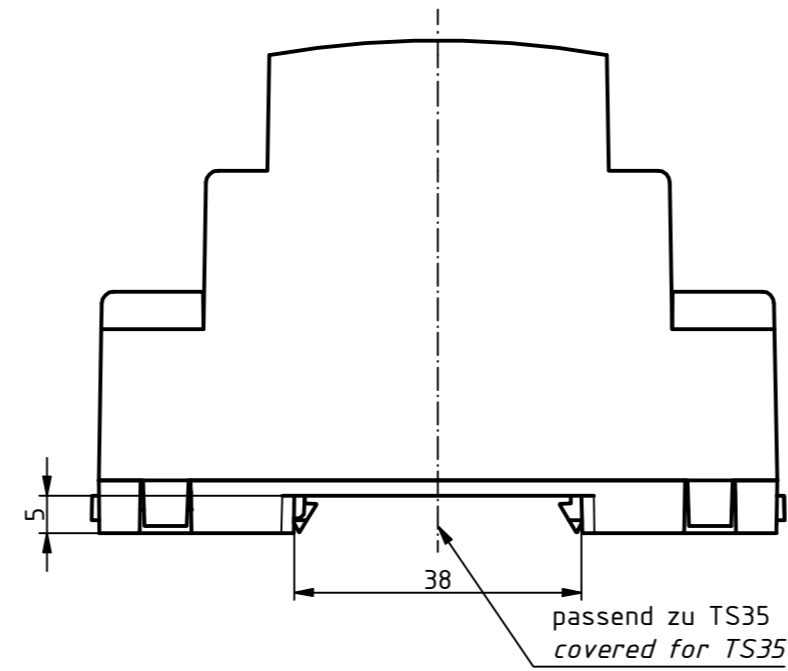
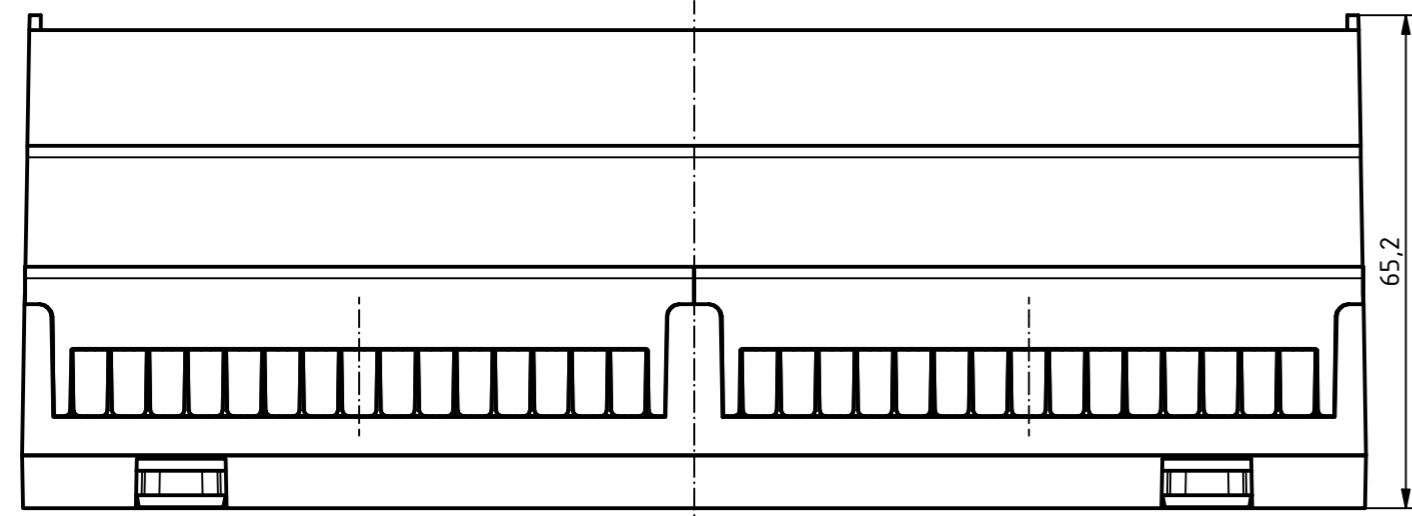


"Schutzvermerk nach DIN ISO 16016 beachten". "Please pay attention to copyright note DIN ISO 16016".



| | | |
|-------------------------------|--|---------|
| Maßstab/ Scale: | 1:1 | |
| Zeichnungs-Nr. / Drawing-No.: | 2K 5465.018.01 | |
| Artikel / Article: | CNC 175.0 Set 1 CombiNorm-Control Katalogzg./Catalogue draw. | |
| A.Nr./ Alt.No.: | Datum/ Date: | |
| DISK: | 2604458.idw | |
| Datum/Date: | 12.11.2020 | BSCH/JL |

| CNC 175.0 Set 1 | | | |
|-----------------|-----------|--|--------------|
| Pos. Nr.: | Art.-Nr.: | Name | Stck. / Qty. |
| 1 | 65610175 | CNC 175.0 Combinorm-Control / CNC 175.0 Combinorm-Control Enclosure | 1 |
| 2 | 65621175 | CNC 175.0 F Frontplatte oben / CNC 175.0 F Top Cover | 1 |
| 3 | 65635400 | CNC KA87.5-G Klemmenabdeckung geschlossen / CNC KA 87.5-G Terminal Cover closed | 4 |
| 4 | 65635100 | CNC KA87.5-5,08 Klemmenabdeckung 5,08 Raster / CNC KA 87.5-5,08 Terminal Cover 5,08 Grid | 4 |
| 5 | 65640100 | CNC S-5,08 Abdeckstopfen für 3-polige Klemmen / CNC S-5,08 Cover Plug for 3-Pole Terminals | 10 |
| 6 | 66005000 | AKZO 700/5 - 5,08 V Anschlussklemme CN /AKZO 700/5-5,08 V connection terminal CN | 6 |