

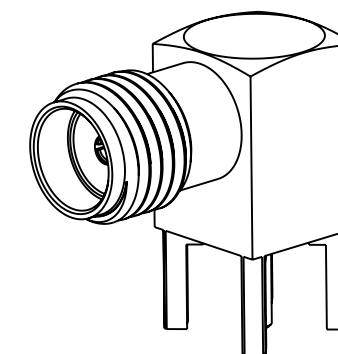
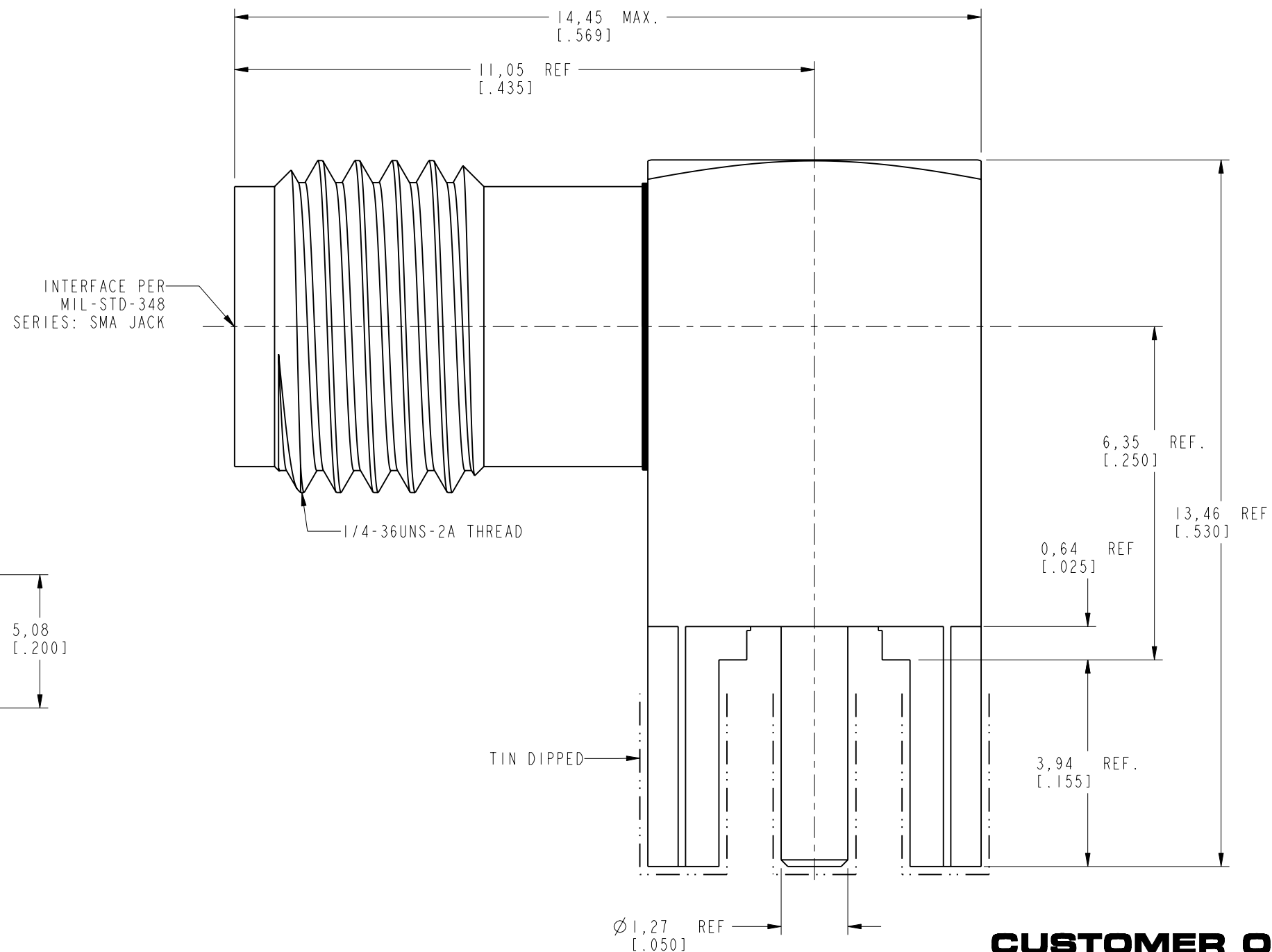
NOTES:

1. MATERIALS AND FINISHES:
 BODIES - STAINLESS STEEL, GOLD PLATING
 CONTACT - BeCu, GOLD PLATING
 INSULATORS - PTFE, NATURAL
2. ELECTRICAL:
 A. IMPEDANCE: 50 OHM
3. MECHANICAL:
 A. DURABILITY: 500 CYCLES MIN.
 B. TEMPERATURE RANGE: -65° C TO +165° C
4. PACKAGING:
 A. QUANTITY: SINGLE PACK
 B. MARKING: BAG TO BE MARKED
 "AMPHENOL RF, 901-143-3, AND DATE CODE"

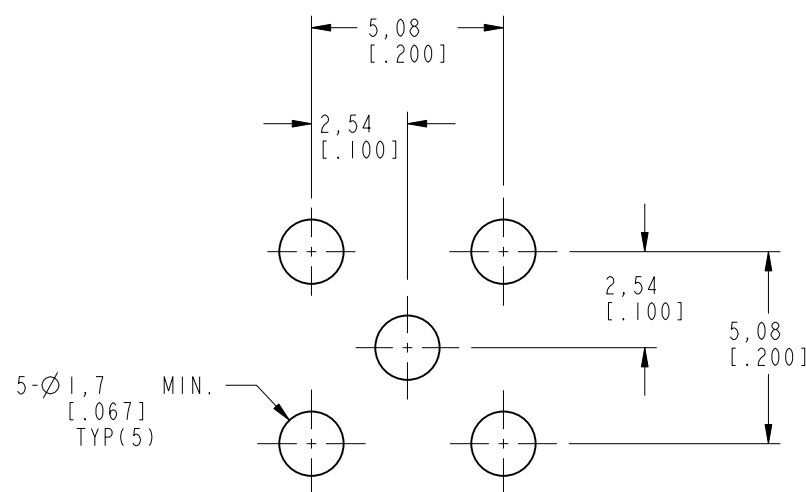
THIRD ANGLE PROJ.

REVISIONS

REV	DESCRIPTION	DATE	ECO	APPR
--	RELEASE TO MFG.	--	--	
J	SEE SHEET I	21-Sep-95	40770	PB
K	RELEASE IN ARFA	08-Nov-00		SH
L	REDRAWN IN PRO-E & COD SHEET ADDED	09-Jun-15	50266	RM



SCALE 3.000



RECOMMENDED MOUNTING HOLE DIMENSIONS

CUSTOMER OUTLINE DRAWING

ALL OTHER SHEETS ARE FOR INTERNAL USE ONLY

UNLESS OTHERWISE SPECIFIED, DIMENSIONS ARE IN METRIC AND TOLERANCES ARE: <0.5mm ±0.05mm 0.5 - 6mm ±0.1mm 6 - 30mm ±0.2mm 30 - 120mm ±0.3mm ANGLES ±1°	MATERIAL	DRAWN A ARUN PRABU	DATE 27-Oct-14	TITLE SMA R/A PCB JACK	Amphenol RF www.amphenolrf.com	
	REFERENCE EAR 111-961820 ALCATEL 357-7574-010 CONFIGURATION LEVEL: In Work	FINISH	ENGINEER P. BRENZEL			DATE 09-Apr-90
NOTICE - These drawings, specifications, or other data (1) are, and remain the property of Amphenol corp. (2) must be returned upon request; and (3) are confidential and not to be disclosed to any person other than those to whom they are given by Amphenol Corp. the furnishing of these drawings, specifications, or other data by Amphenol Corp., or to any other person to anyone for any purpose is not to be regarded by implication or otherwise in any manner licensing, granting rights to permitting such holder or any other person to manufacture, use or sell any product, process or design, patented or otherwise, that may in any way be related to or disclosed by said drawings, specifications, or other data.		APPROVED S. HSIEH	DATE 09-Jun-15	SCALE: 10.0:1.0 SHEET 2 OF 2	DRAWING NO. 901-143-3	
				DWG SIZE B	REV L	ITEM NO. 901-143-3
						PART NO. 901-143-3

Mouser Electronics

Authorized Distributor

Click to View Pricing, Inventory, Delivery & Lifecycle Information:

[Amphenol:](#)

[901-143-3](#)