

THIS DRAWING IS UNPUBLISHED.

RELEASED FOR PUBLICATION

20

© COPYRIGHT 20 BY -

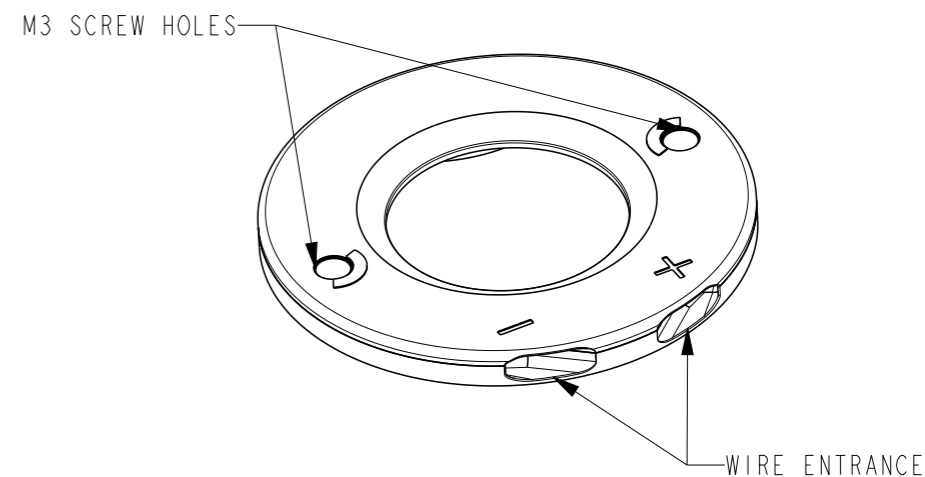
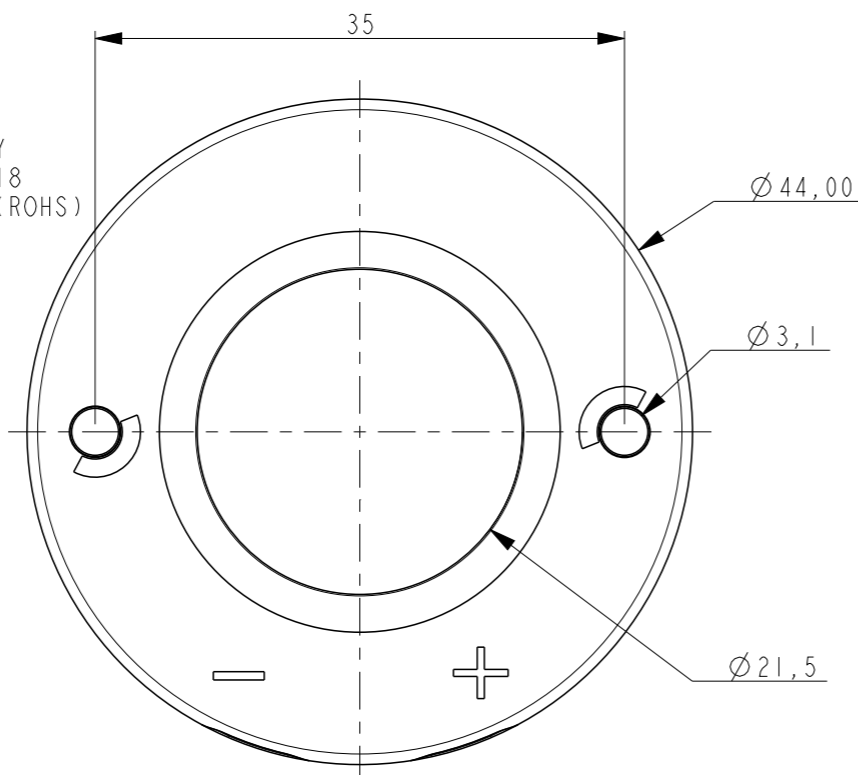
ALL RIGHTS RESERVED.

REVISIONS

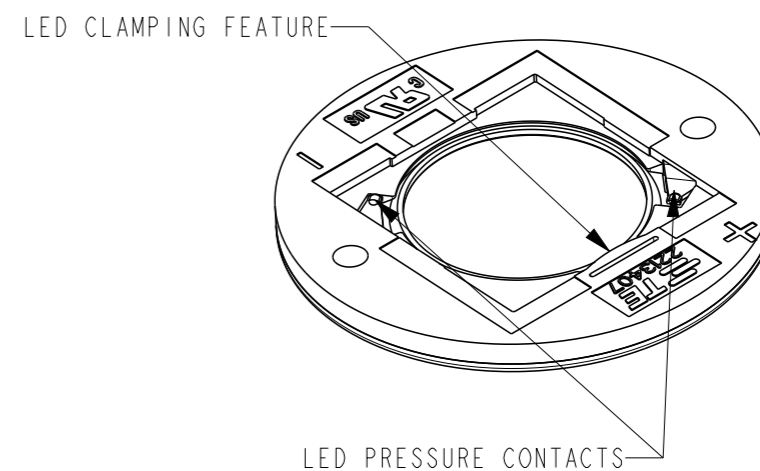
P	LTR	DESCRIPTION	DATE	DWN	APVD
A2		ECR-16-001206	27JAN2016	KR	MvE
B		ADDED LED TYPES TABLE	03NOV2016	RK	MvE
C		REVISED PER ECR-17-005513	14APR2017	SK	MvE
C1		REVISED PER ECR-19-017764	21NOV2019	SB	DD

NOTES:

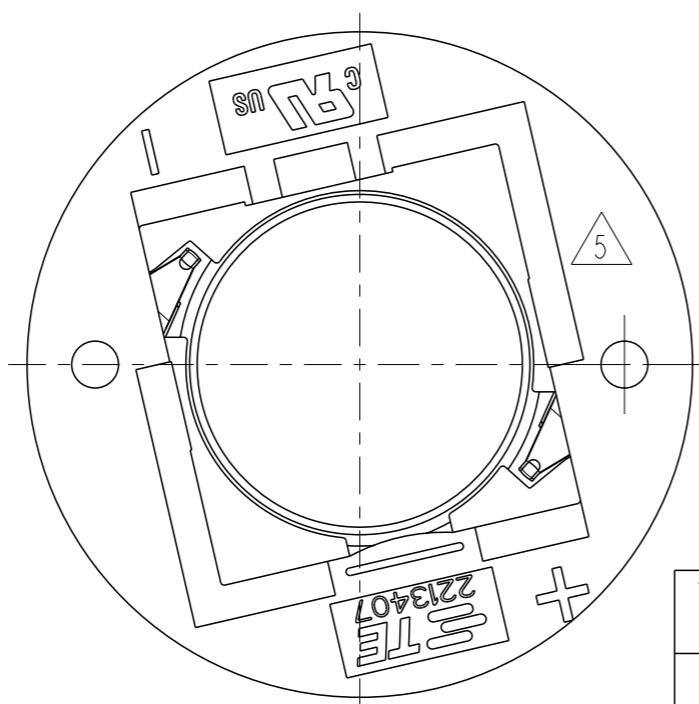
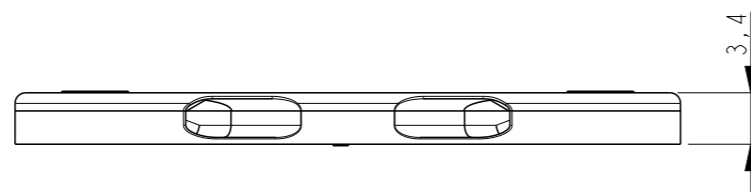
- MATERIALS:  
HOUSING: GLASS FILLED PBT  
HALOGEN FREE FLAME RETARDANT,  
COLOR : NATURAL/WHITE  
CONTACTS: SILVER PLATED COPPER ALLOY
- FOR SOLID AND STRANDED WIRE AWG 22-18
- COMPLIES WITH DIRECTIVE 2002/95/EC (ROHS)
- M3 SCREW TO BE USED FOR MOUNTING
- DATE CODE YY-WW-D ANY WHERE EXCEPT OVER LOGO OR +/- SIGN.
- FOR COB-TO-HOLDER CROSS REFERENCE, REFER APPLICATION SPECIFICATION 114-32208



SCALE 3:2



2213407-1 AS SHOWN  
LUMAWISE LED HOLDER Z50 LOW PROFILE



LUMAWISE LED HOLDER Z50 STANDARD PROFILE 2424	2213407-2
LUMAWISE LED HOLDER Z50 LOW PROFILE 2424	2213407-1
DESCRIPTION	PART NO

THIS DRAWING IS A CONTROLLED DOCUMENT.		DWN P. POORTER 18NOV2013	<b>STE</b> TE Connectivity	
		CHK O. LEIJNSE 19NOV2013		
DIMENSIONS: mm		APVD O. LEIJNSE	NAME LUMAWISE LED HOLDER Z50 2424	
TOLERANCES UNLESS OTHERWISE SPECIFIED: 0 PLC ±- 1 PLC ±- 2 PLC ±- 3 PLC ±- 4 PLC ±- ANGLES ±-		PRODUCT SPEC 108-133008	RESTRICTED TO	
MATERIAL		APPLICATION SPEC 114-32048	SIZE A3	CAGE CODE -
		WEIGHT -	DRAWING NO C-2213407	
		CUSTOMER DRAWING	SCALE 2:1	SHEET 1 OF 3
				REV C1

4

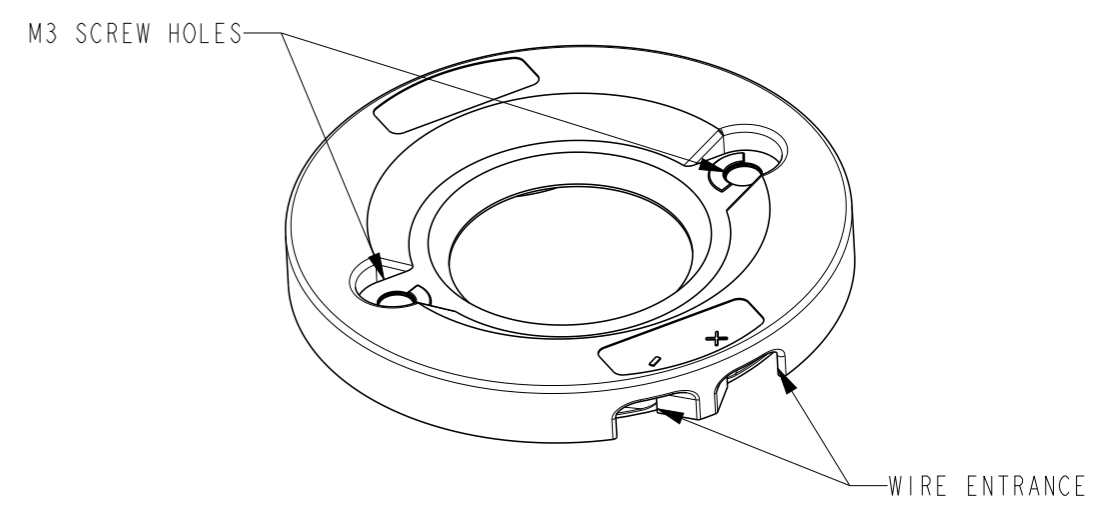
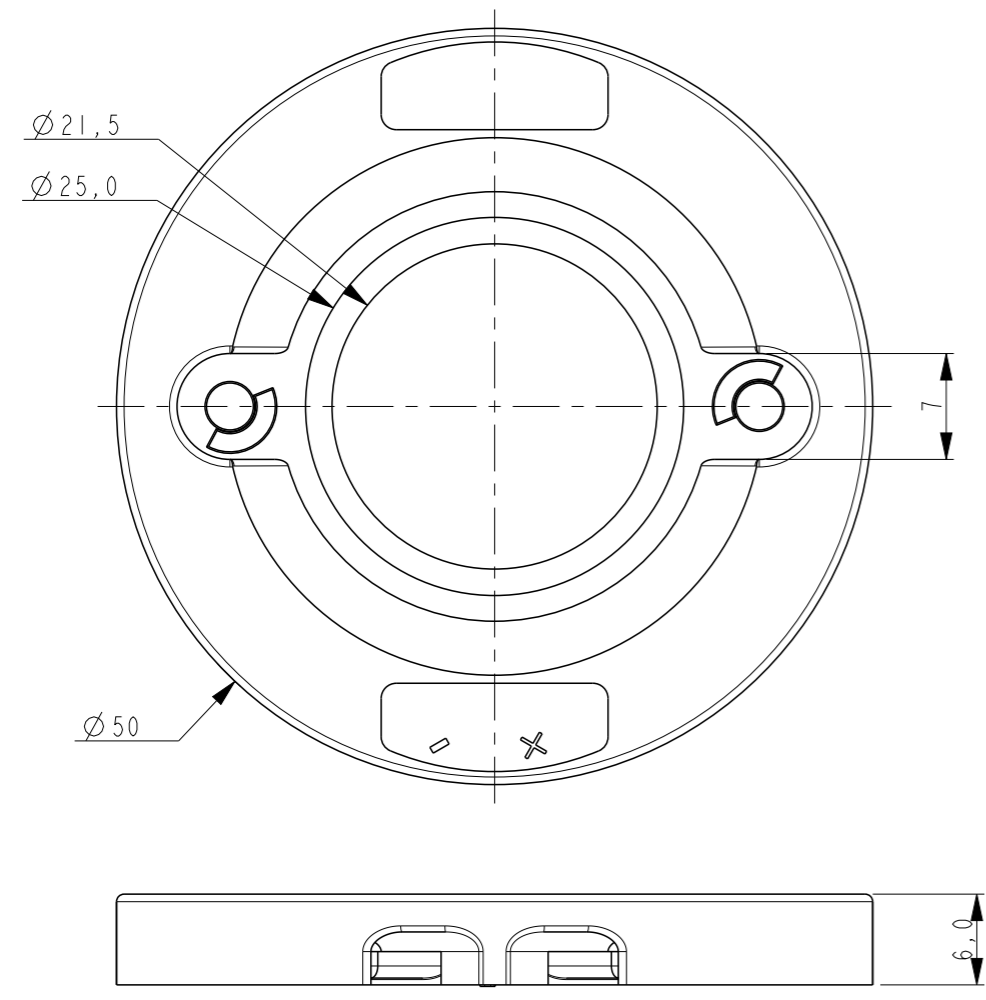
3

2

1

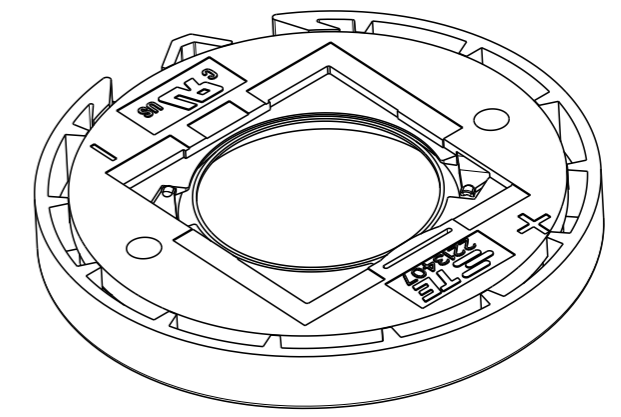
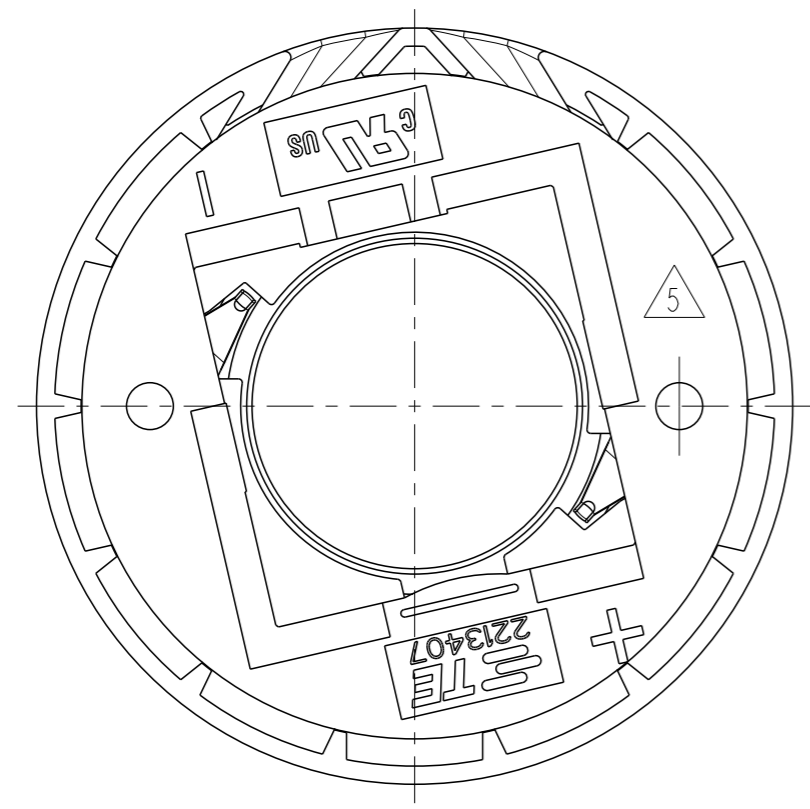
THIS DRAWING IS UNPUBLISHED. RELEASED FOR PUBLICATION 20  
 © COPYRIGHT 20 BY - ALL RIGHTS RESERVED.

REVISIONS					
P	LTR	DESCRIPTION	DATE	DWN	APVD
-	-	SEE SHEET 1	-	-	-



SCALE 3:2

2213407-2 AS SHOWN  
LUMAWISE LED HOLDER Z50 STANDARD PROFILE



THIS DRAWING IS A CONTROLLED DOCUMENT.

DIMENSIONS: mm	TOLERANCES UNLESS OTHERWISE SPECIFIED:
	0 PLC ±-
	1 PLC ±-
	2 PLC ±-
	3 PLC ±-
	4 PLC ±-
	ANGLES ±-
MATERIAL	FINISH
-	-
-	-

DWN	P. POORTER	18NOV2013
CHK	O. LEIJNSE	19NOV2013
APVD	O. LEIJNSE	-
PRODUCT SPEC	108-133008	
APPLICATION SPEC	114-32048	
WEIGHT	-	
CUSTOMER DRAWING		



NAME LUMAWISE LED HOLDER Z50 2424			
SIZE	CAGE CODE	DRAWING NO	RESTRICTED TO
A3	-	C-2213407	-
SCALE 2:1		SHEET 2 OF 3	REV C1

4

3

2

1

THIS DRAWING IS UNPUBLISHED.

RELEASED FOR PUBLICATION

20

© COPYRIGHT 20

BY -

ALL RIGHTS RESERVED.

REVISIONS

P	LTR	DESCRIPTION	DATE	DWN	APVD
	-	SEE SHEET 1	-	-	-

THE SKETCH BELOW IS SHOWING THE NOMINAL LED COB DIMENSIONS TO MATCH WITH THE Z50 LED HOLDER 2424 FOR TECHNICAL DETAILS ABOUT A PROPER MATCH WITH A SPECIFIC LED COB ARRAY PLEASE CONTACT A REPRESENTATIVE AT TE-CONNECTIVITY

SCALE 4:1

THIS DRAWING IS A CONTROLLED DOCUMENT.

DWN P. POORTER 18NOV2013

CHK O. LEIJNSE 19NOV2013

APVD O. LEIJNSE -

PRODUCT SPEC

108-133008

APPLICATION SPEC

114-32048

WEIGHT -

CUSTOMER DRAWING

**STE**

TE Connectivity

NAME LUMAWISE LED HOLDER Z50 2424

SIZE CAGE CODE DRAWING NO RESTRICTED TO

A3 - C-2213407 -

SCALE 2:1 SHEET 3 OF 3 REV C1

DIMENSIONS:

mm

TOLERANCES UNLESS OTHERWISE SPECIFIED:

0 PLC	±-
1 PLC	±-
2 PLC	±-
3 PLC	±-
4 PLC	±-
ANGLES	±-

MATERIAL

-

FINISH

-

1470-19 (3/13)

# Mouser Electronics

Authorized Distributor

Click to View Pricing, Inventory, Delivery & Lifecycle Information:

[TE Connectivity:](#)

[2213407-2](#)