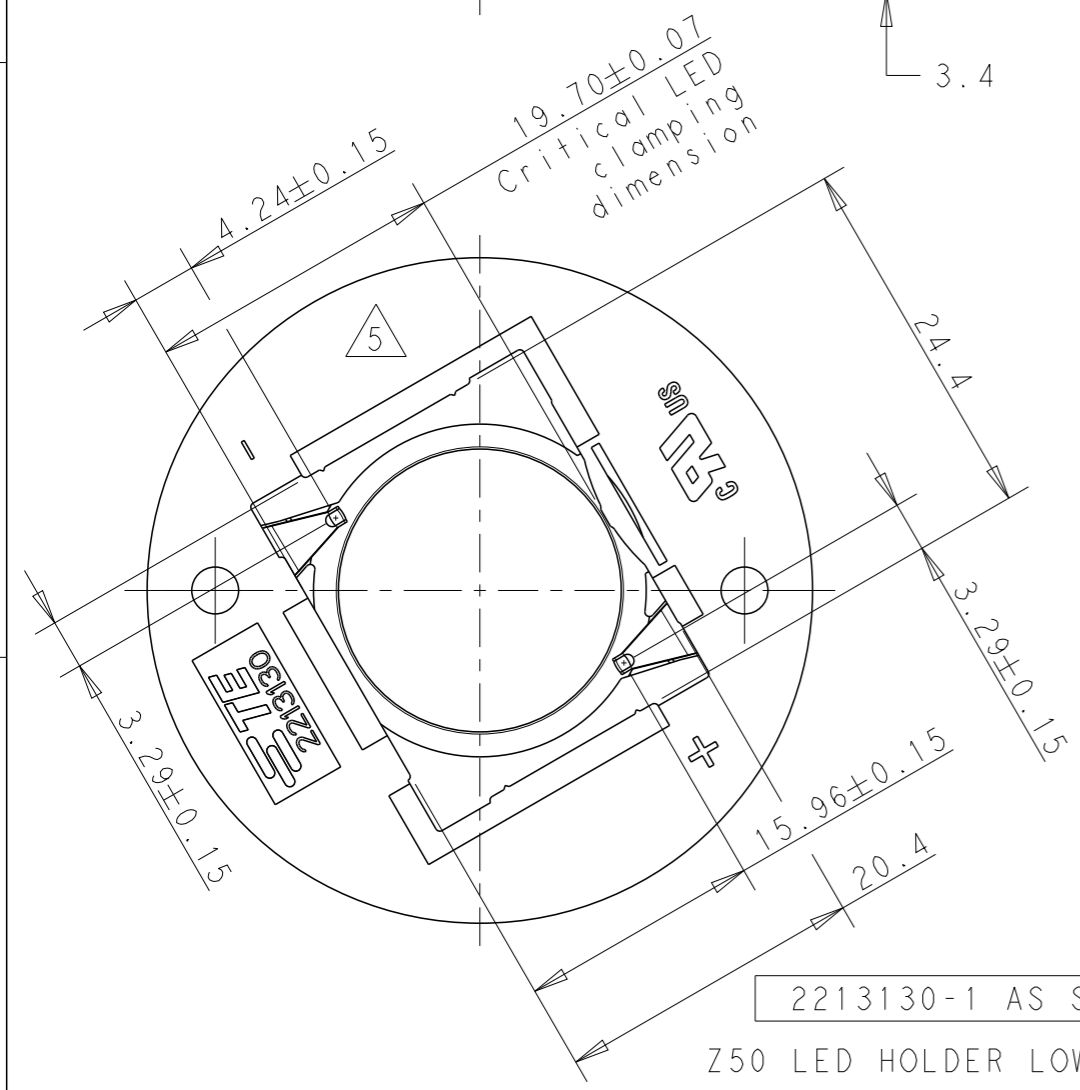
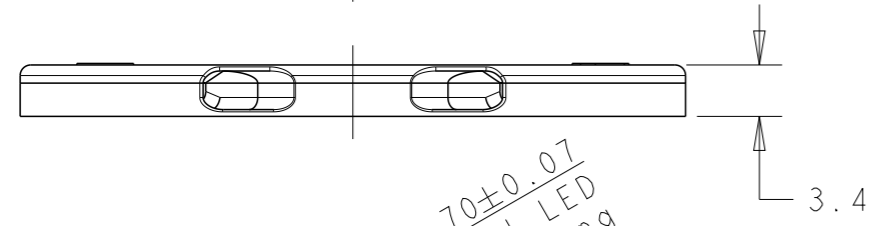
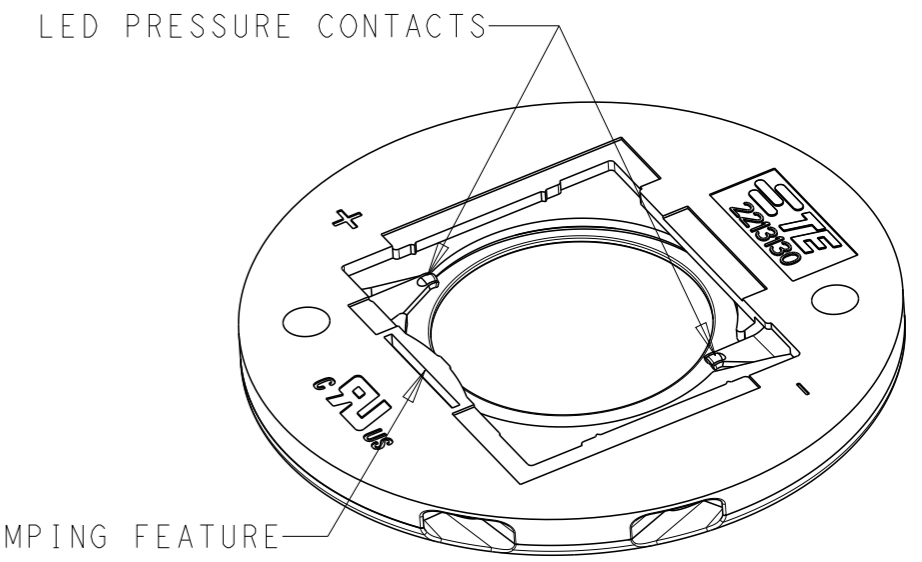
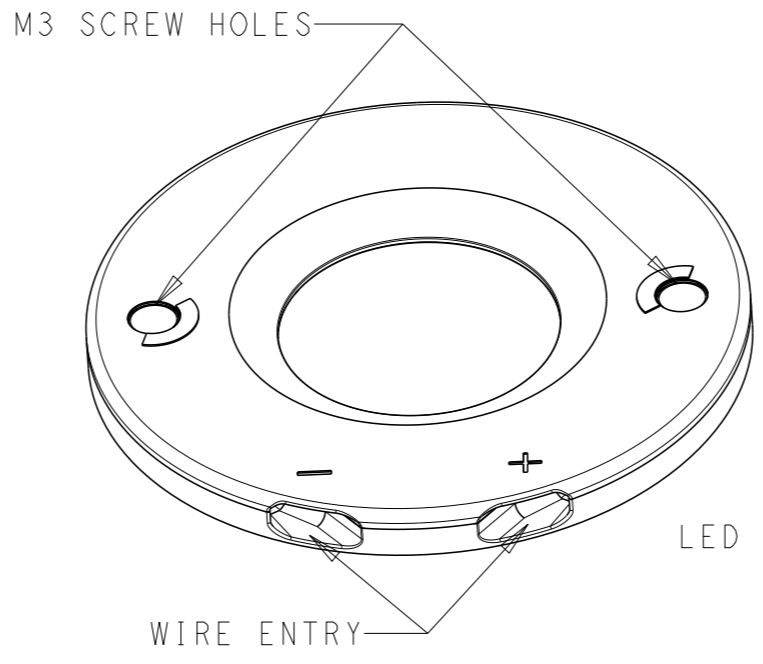
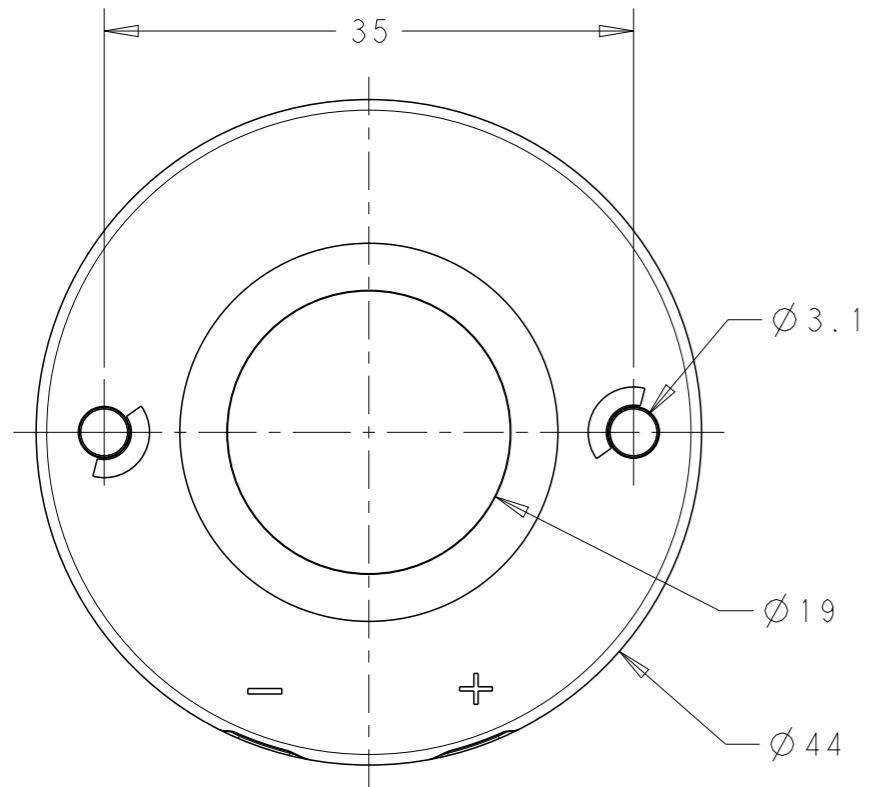


THIS DRAWING IS UNPUBLISHED. RELEASED FOR PUBLICATION 20  
 © COPYRIGHT 20 BY - ALL RIGHTS RESERVED.


REVISIONS					
P	LTR	DESCRIPTION	DATE	DWN	APVD
	J	REVISED PER ECR-19-003623	13MAR2019	JS	DD
	J1	REVISED PER ECR-19-007929	28MAY2019	SR	DD



- NOTES:
- MATERIALS:  
 HOUSING: GLASS FILLED PBT, HALOGEN FREE FLAME RETARDANT  
 COLOR: NATURAL/WHITE  
 CONTACTS: SILVER PLATED COPPER ALLOY  
 FOR SOLID AND STANDARD WIRE AWG 22-18
  - COMPLIES WITH DIRECTIVE 2002/95/EC (ROHS)
  - M3 SCREW TO BE USED FOR MOUNTING
  - DATE CODE YY-WW-D ANY WHERE EXCEPT OVER LOGO OR +/- SIGN.
  - FOR COB-TO-HOLDER CROSS REFERENCE, REFER TO APPLICATION SPECIFICATION 114-32208.
  - OBSELETE.

2-2213130-1	Z50 LED HOLDER LOW PROFILE 2024	2x10 PIECES IN TRAY AND BOX 25 BOXES IN SHIPPING BOX
1-2213130-2	Z50 LED HOLDER STANDARD PROFILE 2024	2x10 PIECES IN TRAY AND BOX 25 BOXES IN SHIPPING BOX
1-2213130-1	Z50 LED HOLDER LOW PROFILE 2024	2x10 PIECES IN TRAY AND BOX 25 BOXES IN SHIPPING BOX
2213130-2	Z50 LED HOLDER STANDARD PROFILE 2024	5x4 PIECES IN TRAY 25 TRAYS IN SHIPPING BOX
2213130-1	Z50 LED HOLDER LOW PROFILE 2024	5x4 PIECES IN TRAY 35 TRAYS IN SHIPPING BOX
PART NO	DESCRIPTION	PACKAGING

THIS DRAWING IS A CONTROLLED DOCUMENT.

DWN	M.V.ESSSEN	28AUG2013	 TE Connectivity	
CHK	M.V.ESSSEN	28AUG2013		
APVD	O.I.FIUNSE	28AUG2013		
NAME	LUMAWISE Z50 LED HOLDER 2024			
DIMENSIONS:	mm		PRODUCT SPEC	108-133008
TOLERANCES UNLESS OTHERWISE SPECIFIED:			APPLICATION SPEC	114-32048
0 PLC	±-		SIZE	A3
1 PLC	±-		CAGE CODE	00779
2 PLC	±-		DRAWING NO	C-2213130
3 PLC	±-		RESTRICTED TO	-
4 PLC	±-		SCALE	2:1
ANGLES	±-		SHEET	1 OF 3
FINISH	-		REV	J1
MATERIAL	-		CUSTOMER DRAWING	

THIS DRAWING IS UNPUBLISHED.

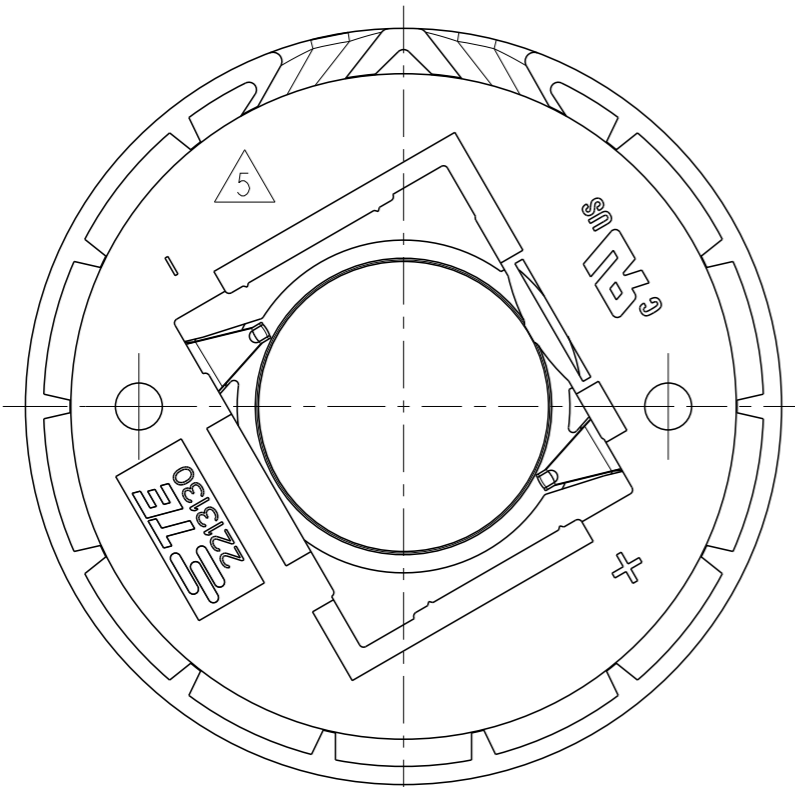
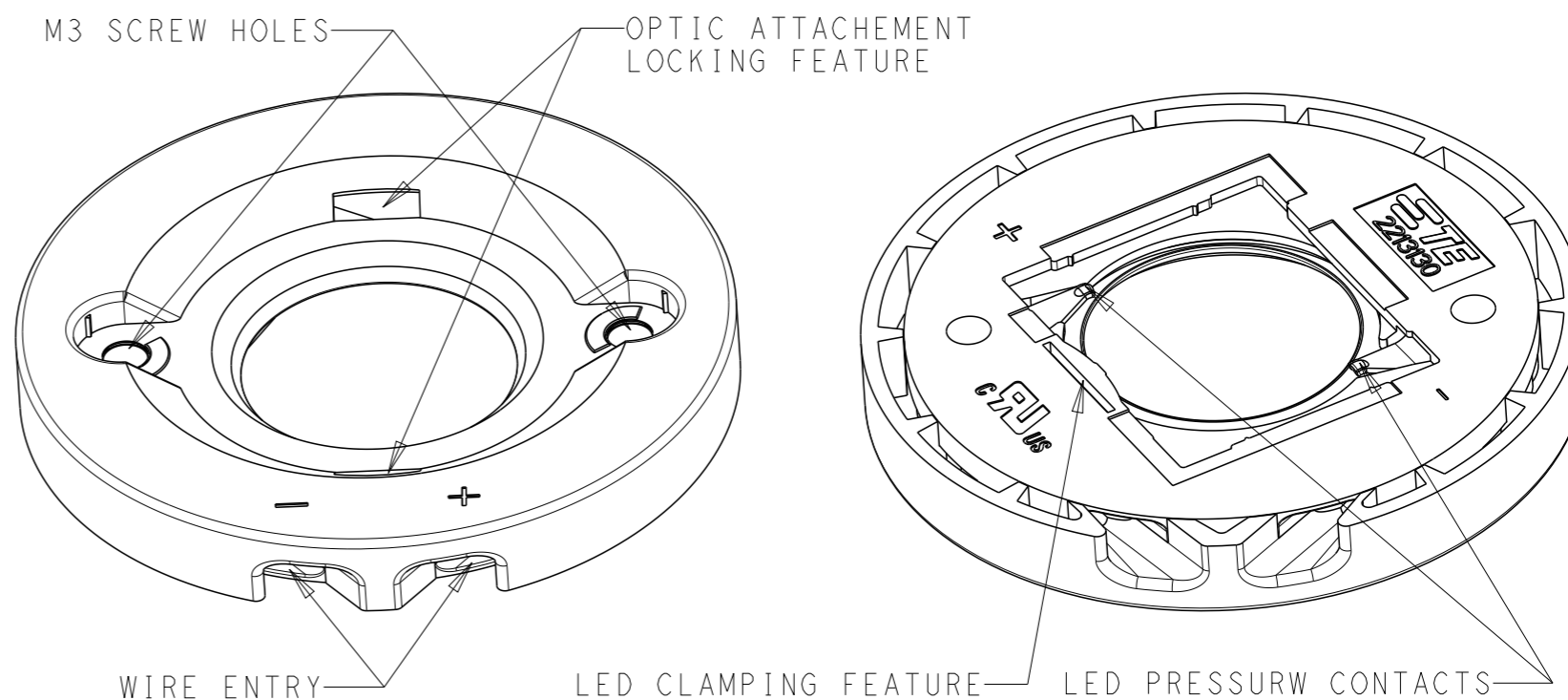
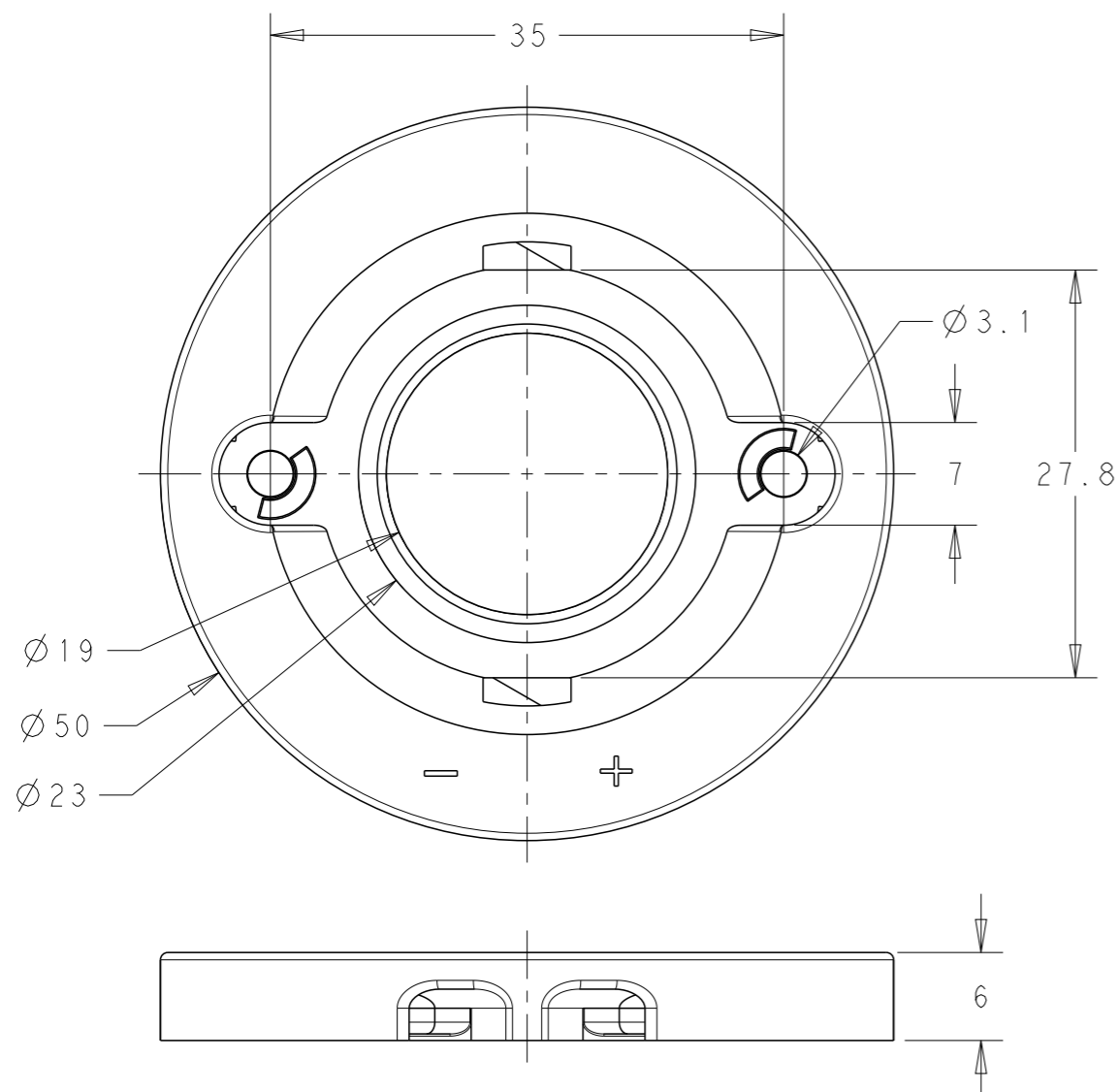
RELEASED FOR PUBLICATION

20

© COPYRIGHT 20 BY - ALL RIGHTS RESERVED.


REVISIONS

P	LTR	DESCRIPTION	DATE	DWN	APVD
-	-	SEE SHEET 1	-	-	-



2213130-2 AS SHOWN

Z50 LED HOLDER STANDARD PROFILE

THIS DRAWING IS A CONTROLLED DOCUMENT.		DWN M.V.ESSEN 28AUG2013	 <b>TE Connectivity</b>													
DIMENSIONS: mm		CHK M.V.ESSEN 28AUG2013														
TOLERANCES UNLESS OTHERWISE SPECIFIED:		APVD O.I.FIJNSE 28AUG2013														
<table border="0"> <tr><td>0 PLC</td><td>±·</td></tr> <tr><td>1 PLC</td><td>±·</td></tr> <tr><td>2 PLC</td><td>±·</td></tr> <tr><td>3 PLC</td><td>±·</td></tr> <tr><td>4 PLC</td><td>±·</td></tr> <tr><td>ANGLES</td><td>±·</td></tr> <tr><td>FINISH</td><td>±·</td></tr> </table>		0 PLC			±·	1 PLC	±·	2 PLC	±·	3 PLC	±·	4 PLC	±·	ANGLES	±·	FINISH
0 PLC	±·															
1 PLC	±·															
2 PLC	±·															
3 PLC	±·															
4 PLC	±·															
ANGLES	±·															
FINISH	±·															
MATERIAL	-	APPLICATION SPEC 114-32048	NAME LUMAWISE Z50 LED HOLDER 2024													
		WEIGHT -	SIZE A3	CAGE CODE 00779	DRAWING NO C-2213130											
		CUSTOMER DRAWING	SCALE 2:1	SHEET 2 OF 3	RESTRICTED TO -											
					REV J1											

4

3

2

1

THIS DRAWING IS UNPUBLISHED.

RELEASED FOR PUBLICATION

20

© COPYRIGHT 20

BY -

ALL RIGHTS RESERVED.

REVISIONS

P	LTR	DESCRIPTION	DATE	DWN	APVD
	-	SEE SHEET 1	-	-	-

THE SKETCH BELOW IS SHOWING THE NOMINAL LED COB DIMENSION TO MATCH WITH THE Z50 LED HOLDER 2024

FOR TECHNICAL DETAILS ABOUT A PROPER MATCH WITH A SPECIFIC LED COB ARRAY PLEASE CONTACT A REPRESENTATIVE AT TE-CONNECTIVITY

20

6

CONTACT POINT LOCATION

9.5

24

LES

1.0

0.9

THIS DRAWING IS A CONTROLLED DOCUMENT.

DWN M.V.ESSEN 28AUG2013

CHK M.V.ESSEN 28AUG2013

APVD O.I.FIJNSE 28AUG2013

PRODUCT SPEC 108-133008

APPLICATION SPEC 114-32048

WEIGHT -

CUSTOMER DRAWING

TE Connectivity

NAME LUMAWISE Z50 LED HOLDER 2024

RESTRICTED TO

SIZE A3 CAGE CODE 00779 DRAWING NO. C-2213130

SCALE 2:1 SHEET 3 OF 3 REV J1

DIMENSIONS:

mm

TOLERANCES UNLESS OTHERWISE SPECIFIED:

0 PLC	±-
1 PLC	±-
2 PLC	±-
3 PLC	±-
4 PLC	±-
ANGLES	±-

MATERIAL

FINISH

1470-19 (3/13)

# Mouser Electronics

Authorized Distributor

Click to View Pricing, Inventory, Delivery & Lifecycle Information:

[TE Connectivity:](#)

[2213130-2](#)