

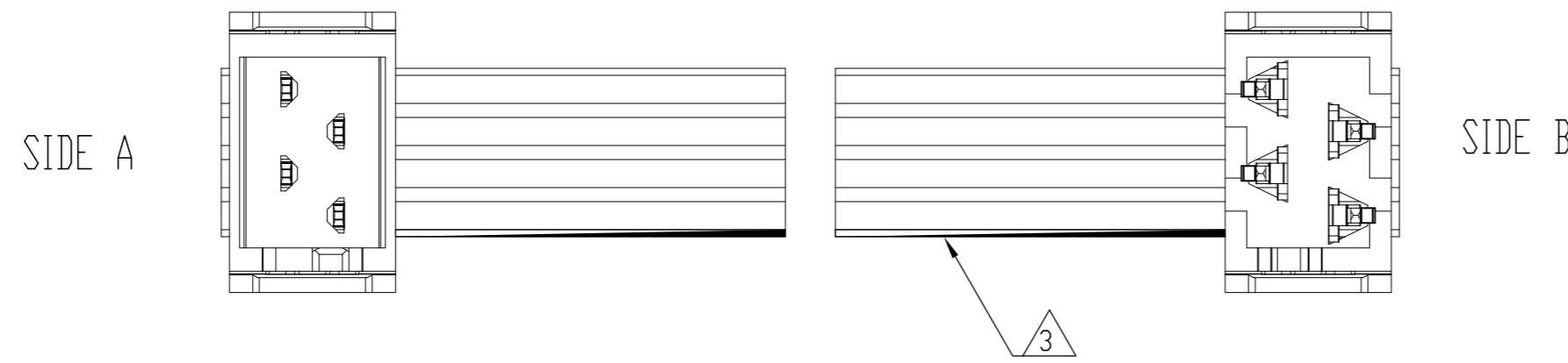
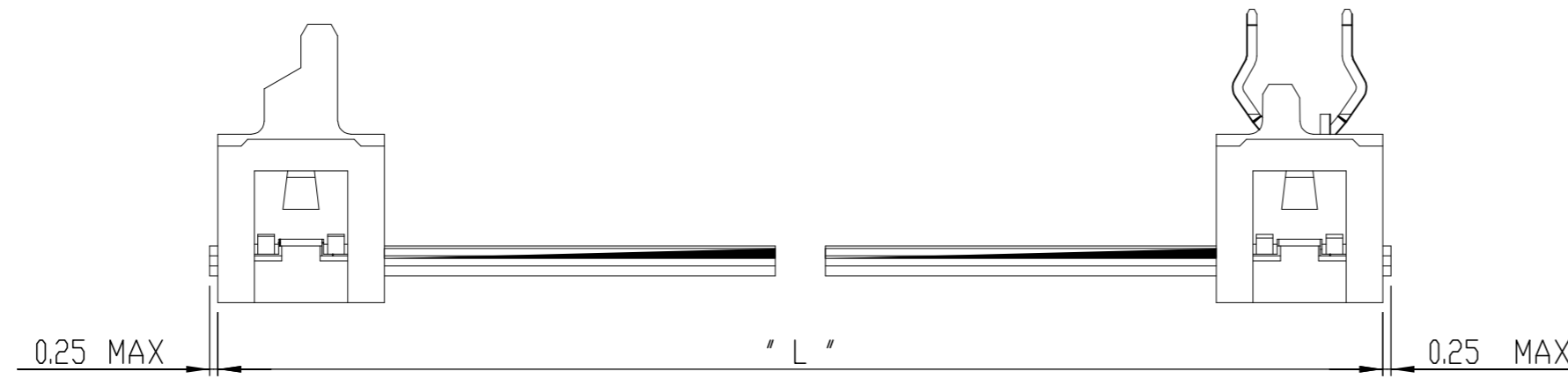
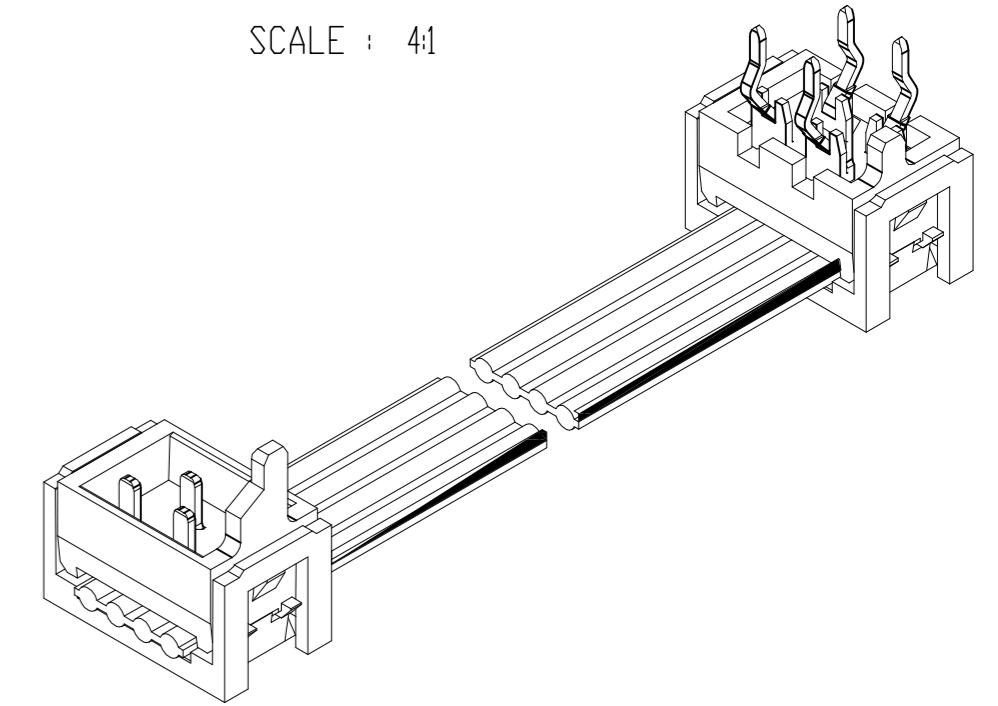
THIS DRAWING IS UNPUBLISHED. RELEASED FOR PUBLICATION 20
 © COPYRIGHT 20 BY - ALL RIGHTS RESERVED.

REVISIONS				
P	LTR	DESCRIPTION	DATE	APVD
A		INITIAL RELEASE	16DEC2013	KR BvH
B		ECR-15-015452	21OCT2015	TB BvH

NOTES:

- 1 ASSEMBLIES TO BE TESTED FOR 100% CONTINUITY
- 2 ASSEMBLIES ARE PACKAGED ACCORDING PACKAGING SPEC 107-19582
- 3 RED MARKED CORRESPONDS TO PIN 1
- 4 FOR MDW TO MDW SEE 2205060

SCALE : 4:1



2205068-X (4 POSITION CABLE ASSEMBLY) AS SHOWN

TE PN	POS	LENGTH	DESCRIPTION
2205077-3	20	200	CA MICRO-MATCH MDW-PB 20POS
2205077-2	20	150	CA MICRO-MATCH MDW-PB 20POS
2205077-1	20	70	CA MICRO-MATCH MDW-PB 20POS
2205075-3	18	200	CA MICRO-MATCH MDW-PB 18POS
2205075-2	18	150	CA MICRO-MATCH MDW-PB 18POS
2205075-1	18	70	CA MICRO-MATCH MDW-PB 18POS
2205074-3	16	200	CA MICRO-MATCH MDW-PB 16POS
2205074-2	16	150	CA MICRO-MATCH MDW-PB 16POS
2205074-1	16	70	CA MICRO-MATCH MDW-PB 16POS
2205073-3	14	200	CA MICRO-MATCH MDW-PB 14POS
2205073-2	14	150	CA MICRO-MATCH MDW-PB 14POS
2205073-1	14	70	CA MICRO-MATCH MDW-PB 14POS
2205072-3	12	200	CA MICRO-MATCH MDW-PB 12POS
2205072-2	12	150	CA MICRO-MATCH MDW-PB 12POS
2205072-1	12	70	CA MICRO-MATCH MDW-PB 12POS
2205071-3	10	200	CA MICRO-MATCH MDW-PB 10POS
2205071-2	10	150	CA MICRO-MATCH MDW-PB 10POS
2205071-1	10	70	CA MICRO-MATCH MDW-PB 10POS
2205070-3	8	200	CA MICRO-MATCH MDW-PB 8POS
2205070-2	8	150	CA MICRO-MATCH MDW-PB 8POS
2205070-1	8	70	CA MICRO-MATCH MDW-PB 8POS
2205069-3	6	200	CA MICRO-MATCH MDW-PB 6POS
2205069-2	6	150	CA MICRO-MATCH MDW-PB 6POS
2205069-1	6	70	CA MICRO-MATCH MDW-PB 6POS
2205068-3	4	200	CA MICRO-MATCH MDW-PB 4POS
2205068-2	4	150	CA MICRO-MATCH MDW-PB 4POS
2205068-1	4	70	CA MICRO-MATCH MDW-PB 4POS

THIS DRAWING IS A CONTROLLED DOCUMENT.

DIMENSIONS:	TOLERANCES UNLESS OTHERWISE SPECIFIED:
M/M	0 PLC ±
	1 PLC ±
	2 PLC ±
	3 PLC ±
	4 PLC ±
	ANGLES ±
	FINISH ±

DWN K. RAGHAVENDRA 13DEC2013	 TE Connectivity NAME CABLE ASSY MICRO-MATCH MDW-PB - - SIZE A2 CAGE CODE - DRAWING NO 2205068 RESTRICTED TO - SCALE 5:1 SHEET 1 OF 1 REV B
CHK B. VELDHOFEN 23DEC2013	
APVD G. DOREMALLEN VAN 23DEC2013	
PRODUCT SPEC - APPLICATION SPEC - WEIGHT -	
Customer Drawing	

Mouser Electronics

Authorized Distributor

Click to View Pricing, Inventory, Delivery & Lifecycle Information:

[TE Connectivity:](#)

[2205069-1](#)