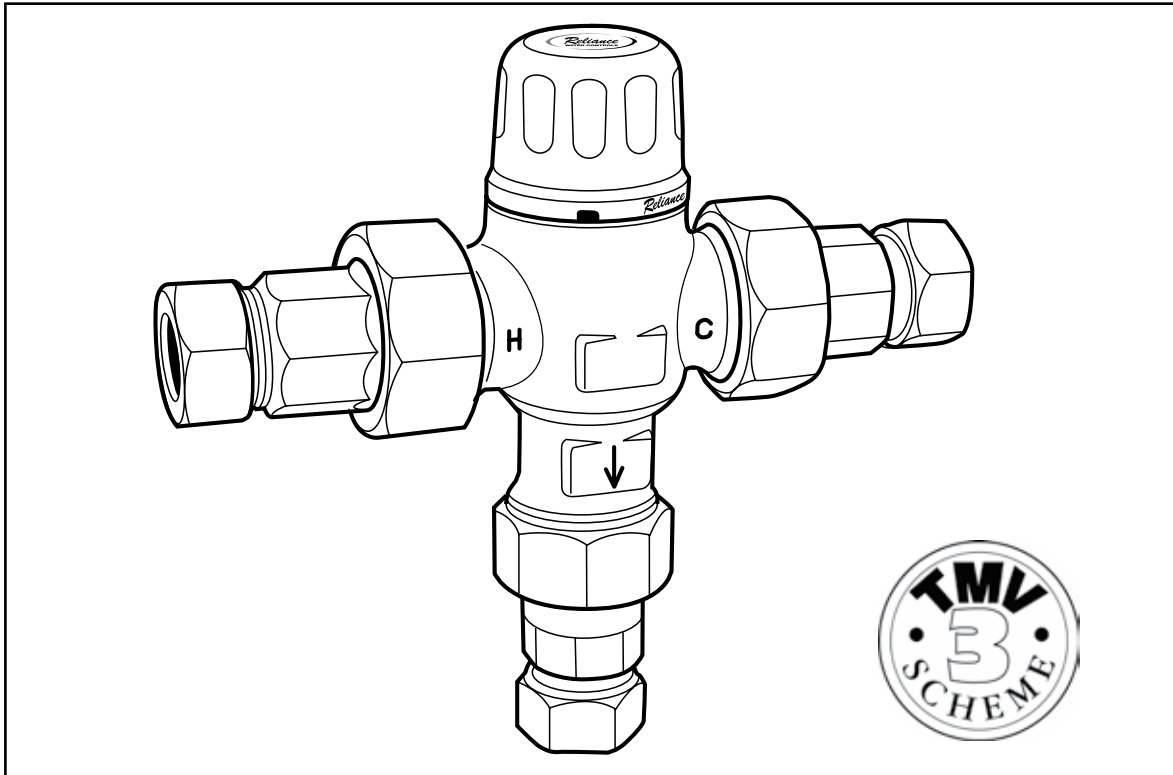




## Product Specification Sheet

### Heatguard® TMV3-8 2in1



Highly advanced TMV3 approved thermostatic mixing valve for use in basin, shower, bidet and bathfill applications.

#### Product Features and Benefits

- Fully approved by the WRAS under the **TMV3 scheme** to the **DO8 specification** for basin, shower, bidet, and high pressure bathfill applications.
- **Rapid thermostatic failsafe** on either cold or hot supply failure **protects** the user from **extreme temperature dangers**.
- **Unique**, purpose built temperature adjuster tool **prevents unauthorised tampering**.
- Provides **extreme mixed water temperature stability** under changing supply conditions.
- Available in a **selection of connection formats**, including standard 15 and 22mm compression, 15/22mm universal compression, **for complete installation flexibility**.

- ✓ WRAS Approved.
- ✓ TMV3 Approved.

# Heatguard® TMV3-8 2in1

## Description

A highly advanced TMV3 approved thermostatic mixing valve for use in basin, shower, bidet and high pressure bathfill applications (above 1 bar). The valve is designed to control the mixed water outlet temperature to within +/- 2°C regardless of fluctuations in the temperature and pressure of the hot and cold water supplies, and to shut the mixed water outlet instantly in case of hot or cold water failure\*. It incorporates a unique purpose-built adjuster key so that standard tools cannot be used by unauthorised persons to change the set outlet temperature. Supplied with 2in1 connection fittings incorporating a single check valve to prevent cross flow, and disc type strainers, fitted upstream of the check valves, to prevent the valve becoming contaminated. A "dummy" valve blanking set is available (Reliance® part no. HTEE 219 001) to be fitted in place of the valve body to enable the installer to flush out the system prior to commissioning.

\*Supply conditions must remain within limits stated.

## Product Range

HEAT 160 015: 15mm comp. Heatguard® TMV3-8 2in1  
 HEAT 160 020: 22mm comp. Heatguard® TMV3-8 2in1  
 HEAT 160 005: 15/22mm universal compression  
 Heatguard® TMV3-8 2in1

## Materials

Body: Cast Gunmetal  
 Seals: Nitrile  
 Spring: Stainless steel  
 Piston: Polysulphone  
 Fittings: DZR brass  
 Strainers: Stainless steel

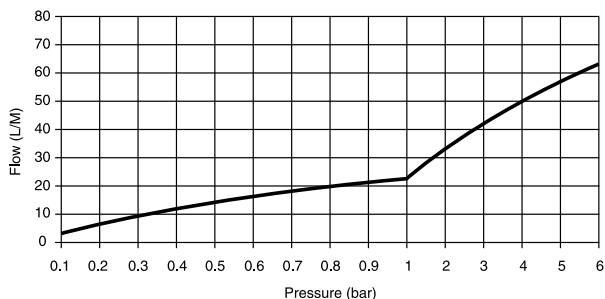
## Standards

Complies with BS7942

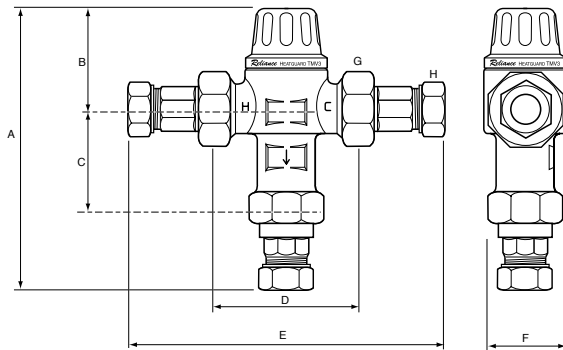
## Approvals

WRAS certificate no. 0002052  
 NHS D08 TMV3 Certificate No. ETC/173/0202

## Flowrate Graph



## Dimensions



	A	B	C	D	E	F	G	H
HEAT 160 015	145	50	50	78	160	40	1" BSP	15mm
HEAT 160 020	145	50	50	78	160	40	1" BSP	22mm

All dimensions in mm unless otherwise stated

For dimensions of other valves in the Heatguard® TMV3-8 range, contact Reliance®.

## Specifications

Factory temperature setting: 38°C  
 Temperature setting range: 38-46°C  
 Temperature, hot supply: 52-65°C  
 Temperature, cold supply: 5-20°C  
 Minimum hot to mix differential temperature: 10°C  
 Temperature stability: ± 2°C  
 Working pressure, static: 16 bar max.  
 Working pressure, dynamic: 0.2 - 5.0 bar  
 Maximum pressure loss ratio: 10:1  
 Flow rate, minimum: 4 lpm  
 Flow rate @ 1bar pressure loss: 21 lpm

## How to Specify

15mm or 22mm TMV3 approved thermostatic mixing valve, complete with single check valves and strainers (the strainers must be fitted upstream of the check valves). Must incorporate a temperature adjustment mechanism using a non-standard tool to alter the mixed water temperature. (Include correct product range code).

## Guarantee

All Reliance® products undergo strict performance tests prior to despatch, and are guaranteed against faulty materials and workmanship for one year from date of purchase. This is in addition to any statutory rights.

Contacts:	Sales Enquiries	Technical Support
Telephone:	+44 (0)1386 712400	+44 (0)1386 47148
Fax:	+44 (0)1386 47028	+44 (0)1386 42217
E-Mail:	sales@rwc.co.uk	technical@rwc.co.uk



**Reliance Water Controls®**  
 Worcester Road, Evesham, Worcestershire, WR11 4RA, UK  
 Tel: +44 (0)1386 47148 Fax: +44 (0)1386 47028 www.rwc.co.uk

