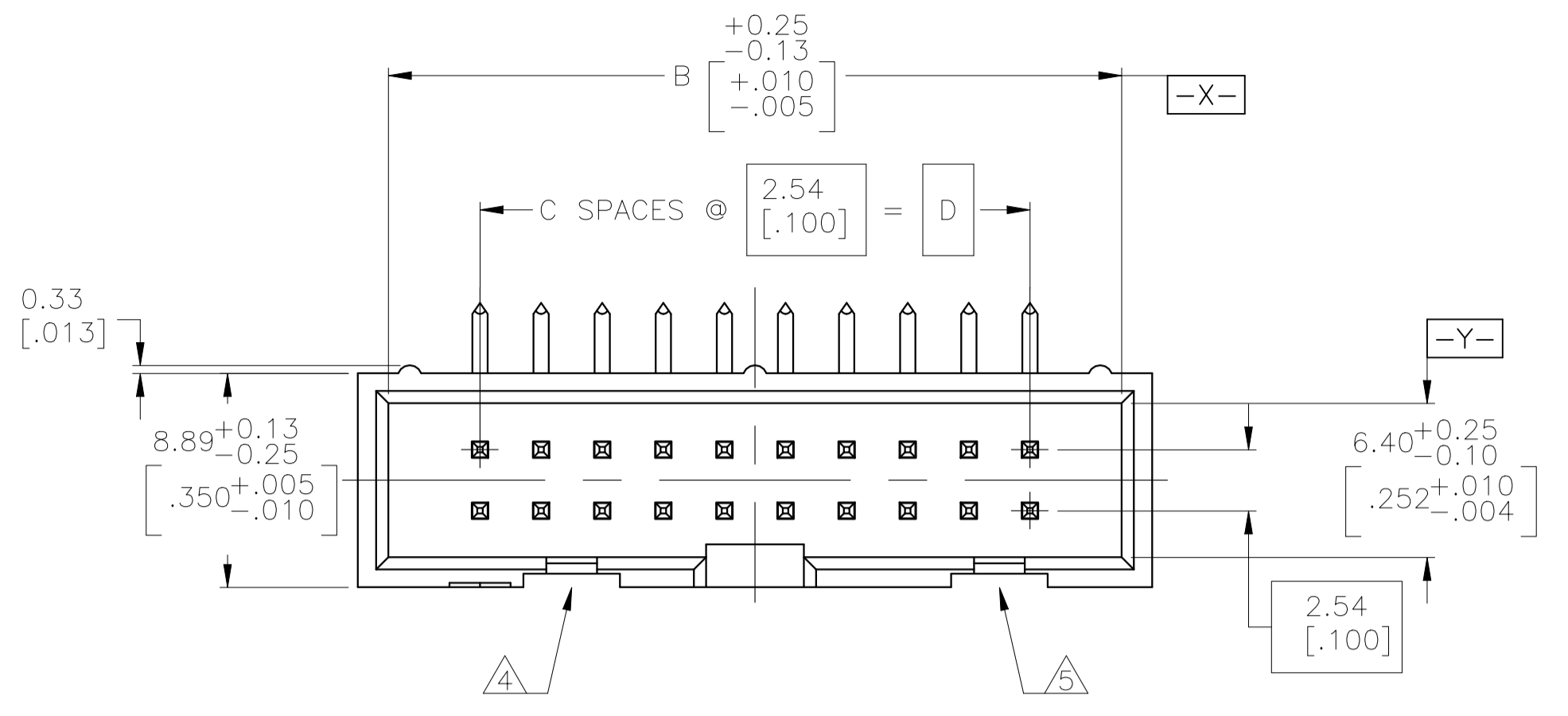
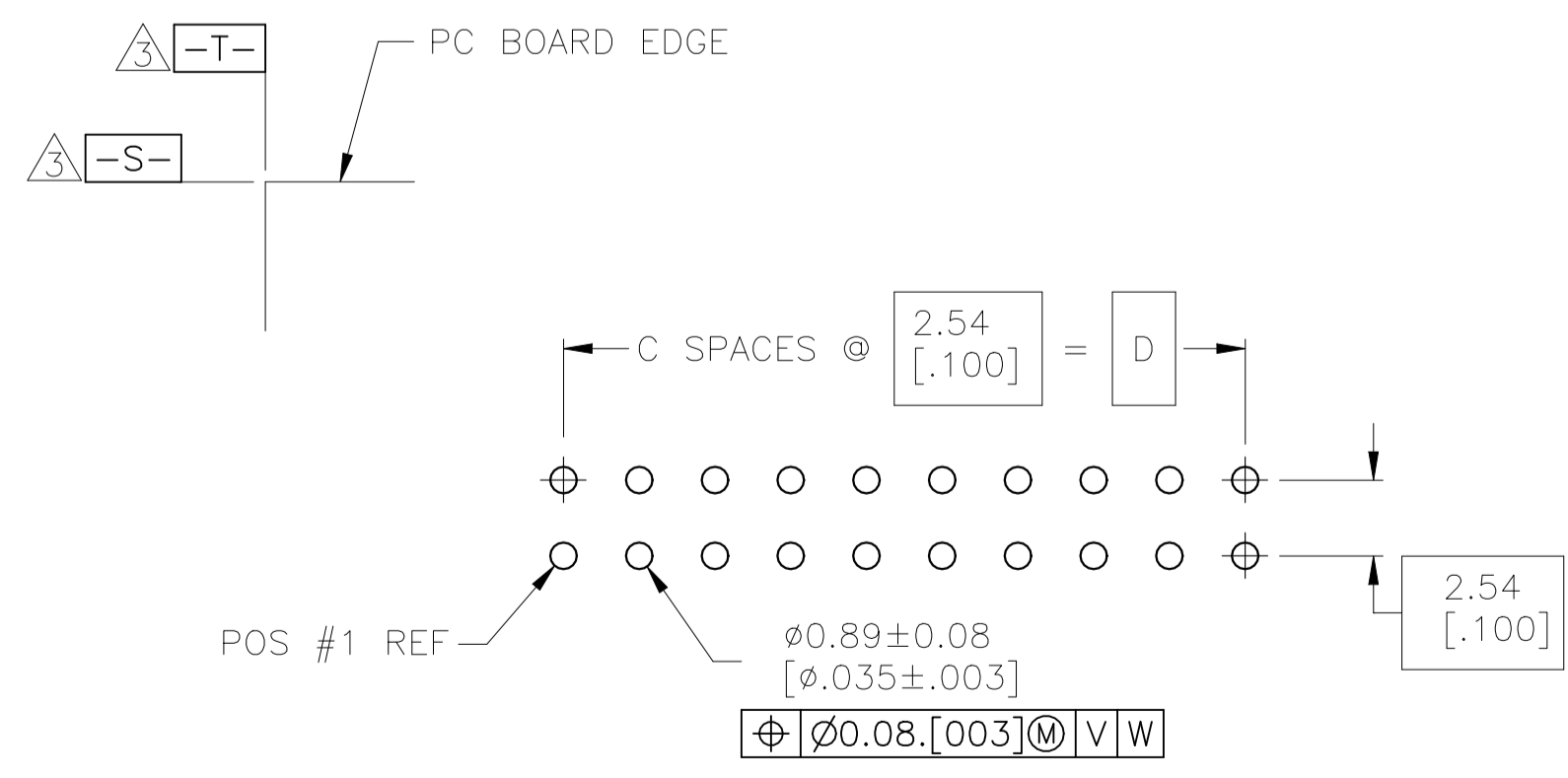
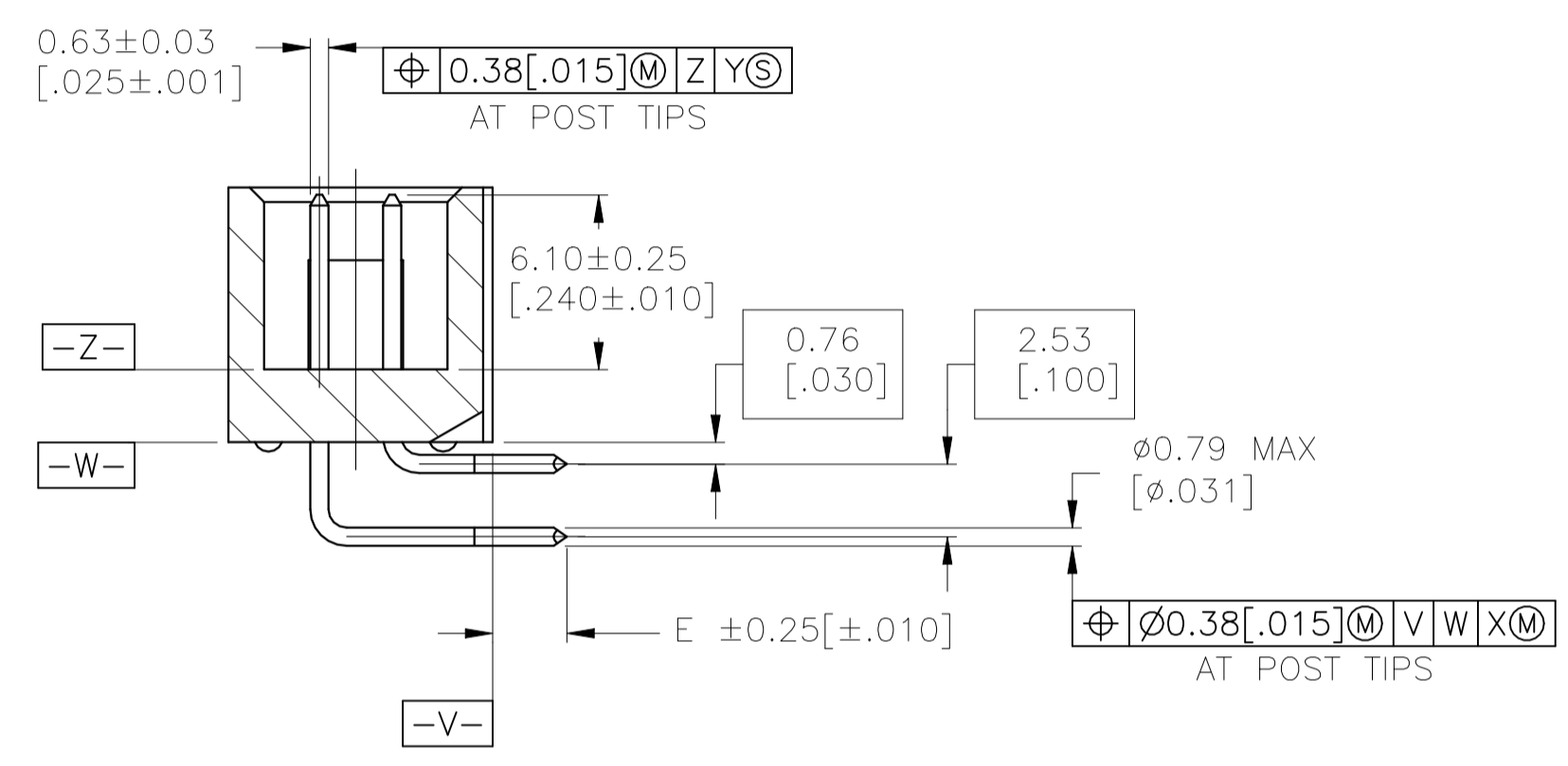
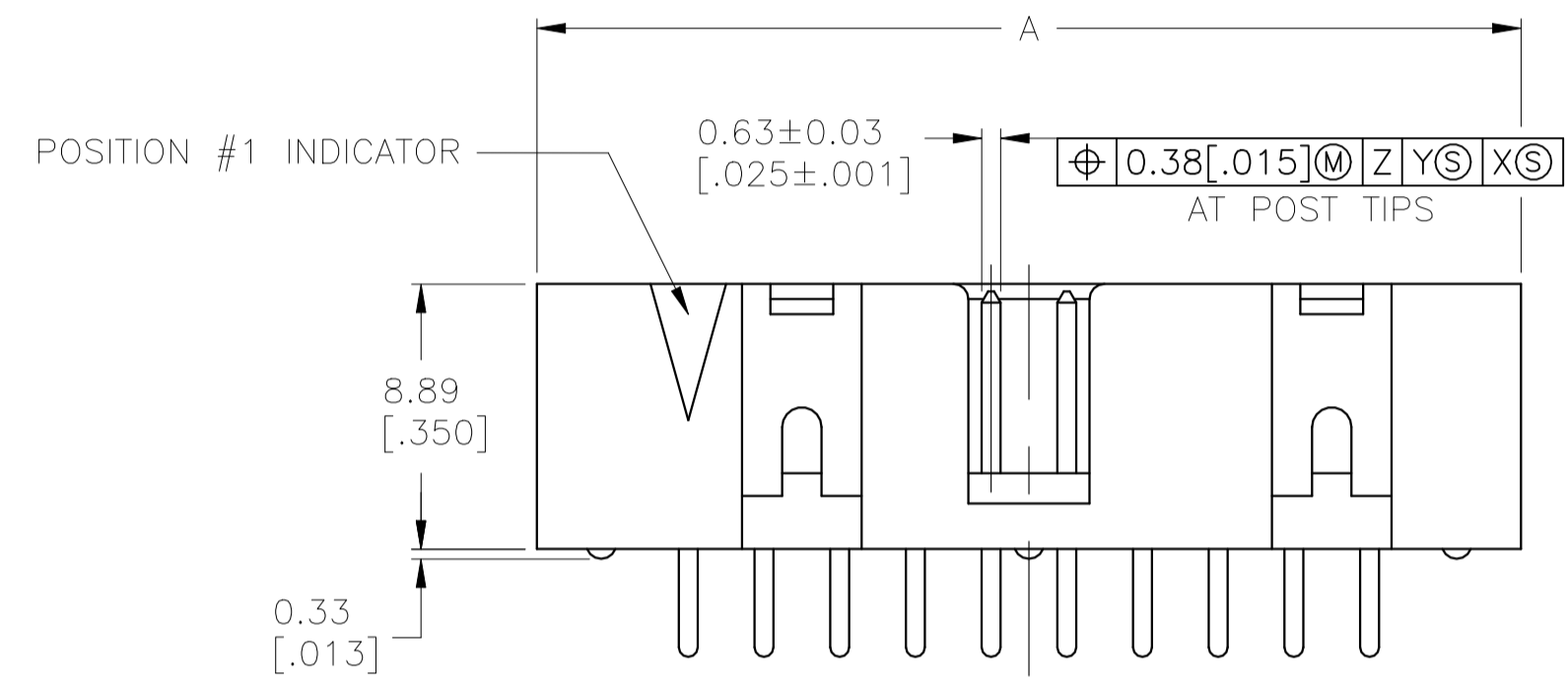


REVISIONS				
REV	DATE	BY	CHKD	APPD
H2	05JAN2021	E.Z		V.S



- △ HOUSING: PBT, UL94V-0, COLOR (SEE TABLE).
- △ POSTS: PHOSPHOR BRONZE.
- △ POSTS: 0.00076[.000030] MIN GOLD ON MATING AREA, 0.00254[.000100] MIN TIN ON SOLDER END, ALL OVER 0.00127[.000050] MIN NICKEL ON ENTIRE POST.
- △ DATUMS S & T TO BE ESTABLISHED BY CUSTOMER.
- △ NO KEYING SLOT ON THIS END FOR 6, 10, 12 & 14 POSITION ASSEMBLIES.
- △ NO KEYING SLOT ON THIS END FOR 6 & 10 POSITION ASSEMBLIES.



RECOMMENDED PC BOARD LAYOUT (VIEWED FROM CONNECTOR SIDE)

POST #	COLOR	POST DIA (mm)	POST DIA (inches)	POST HGT (mm)	POST HGT (inches)	POST DIA (mm)	POST DIA (inches)	POST HGT (mm)	POST HGT (inches)	POST #	COLOR	POST DIA (mm)	POST DIA (inches)	POST HGT (mm)	POST HGT (inches)	POST DIA (mm)	POST DIA (inches)	POST HGT (mm)	POST HGT (inches)	POST #	COLOR	POST DIA (mm)	POST DIA (inches)	POST HGT (mm)	POST HGT (inches)	POST DIA (mm)	POST DIA (inches)	POST HGT (mm)	POST HGT (inches)	POST DIA (mm)	POST DIA (inches)	POST HGT (mm)	POST HGT (inches)	POST DIA (mm)	POST DIA (inches)	POST HGT (mm)	POST HGT (inches)
4	BLUE	10.16	[.400]	17.78	[.700]	20.32	[.800]	10	4-1761605-0																												
31	BLUE	78.74	[3.400]	86.36	[3.400]	88.90	[3.500]	64	3-1761605-7																												
24	BLUE	60.96	[2.400]	68.58	[2.700]	71.12	[2.800]	50	3-1761605-5																												
21	BLUE	53.34	[2.100]	60.96	[2.400]	63.50	[2.500]	44	3-1761605-4																												
19	BLUE	48.26	[1.900]	55.88	[2.200]	58.42	[2.300]	40	3-1761605-3																												
17	BLUE	43.18	[1.700]	50.80	[2.000]	53.34	[2.100]	36	3-1761605-2																												
16	BLUE	40.64	[1.600]	48.26	[1.900]	50.80	[2.000]	34	3-1761605-1																												
14	BLUE	35.56	[1.400]	43.18	[1.700]	45.72	[1.800]	30	3-1761605-0																												
12	BLUE	30.48	[1.200]	38.10	[1.500]	40.64	[1.600]	26	2-1761605-9																												
11	BLUE	27.94	[1.100]	35.56	[1.400]	38.10	[1.500]	24	2-1761605-8																												
9	BLUE	22.86	[.900]	30.48	[1.200]	33.02	[1.300]	20	2-1761605-7																												
7	BLUE	17.78	[.700]	25.40	[1.000]	27.94	[1.100]	16	2-1761605-6																												
6	BLUE	15.24	[.600]	22.86	[.900]	25.40	[1.000]	14	2-1761605-5																												
5	BLUE	12.70	[.500]	20.32	[.800]	22.86	[.900]	12	2-1761605-4																												
4	BLUE	10.16	[.400]	17.78	[.700]	20.32	[.800]	10	2-1761605-3																												
2	BLUE	5.08	[.200]	12.70	[.500]	15.24	[.600]	6	2-1761605-1																												
29	BLACK	73.66	[2.900]	81.28	[3.200]	83.82	[3.300]	60	1-1761605-6																												
24	BLACK	60.96	[2.400]	68.58	[2.700]	71.12	[2.800]	50	1-1761605-5																												
21	BLACK	53.34	[2.100]	60.96	[2.400]	63.50	[2.500]	44	1-1761605-4																												
19	BLACK	48.26	[1.900]	55.88	[2.200]	58.42	[2.300]	40	1-1761605-3																												
16	BLACK	40.64	[1.600]	48.26	[1.900]	50.80	[2.000]	34	1-1761605-1																												
14	BLACK	35.56	[1.400]	43.18	[1.700]	45.72	[1.800]	30	1-1761605-0																												
12	BLACK	30.48	[1.200]	38.10	[1.500]	40.64	[1.600]	26	1761605-9																												
9	BLACK	22.86	[.900]	30.48	[1.200]	33.02	[1.300]	20	1761605-7																												
7	BLACK	17.78	[.700]	25.40	[1.000]	27.94	[1.100]	16	1761605-6																												
6	BLACK	15.24	[.600]	22.86	[.900]	25.40	[1.000]	14	1761605-5																												
4	BLACK	10.16	[.400]	17.78	[.700]	20.32	[.800]	10	1761605-3																												

THIS DRAWING IS A CONTROLLED DOCUMENT.		DIN GERACE 11FEB05		TE Connectivity	
DIMENSIONS: mm [INCHES]		TOLERANCES UNLESS OTHERWISE SPECIFIED:		NAME	
0. PLC ± -		1. PLC ± -		M. WALMSLEY 11FEB05	
2. PLC ± -		3. PLC ± 0.13[.005]		PRODUCT SPEC	
4. PLC ± -		ANGLES ± -		APPLICATION SPEC	
MATERIAL		FINISH		SIZE CAGE CODE DRAWING NO	
△		△		A1 00779 1761605	
CUSTOMER DRAWING		SCALE 4:1		SHEET 1 of 1 REV H2	

**COPYRIGHT 2005  
TE CONNECTIVITY CORP  
ALL RIGHTS RESERVED**

# Mouser Electronics

Authorized Distributor

Click to View Pricing, Inventory, Delivery & Lifecycle Information:

[TE Connectivity:](#)

[2-1761605-9](#)