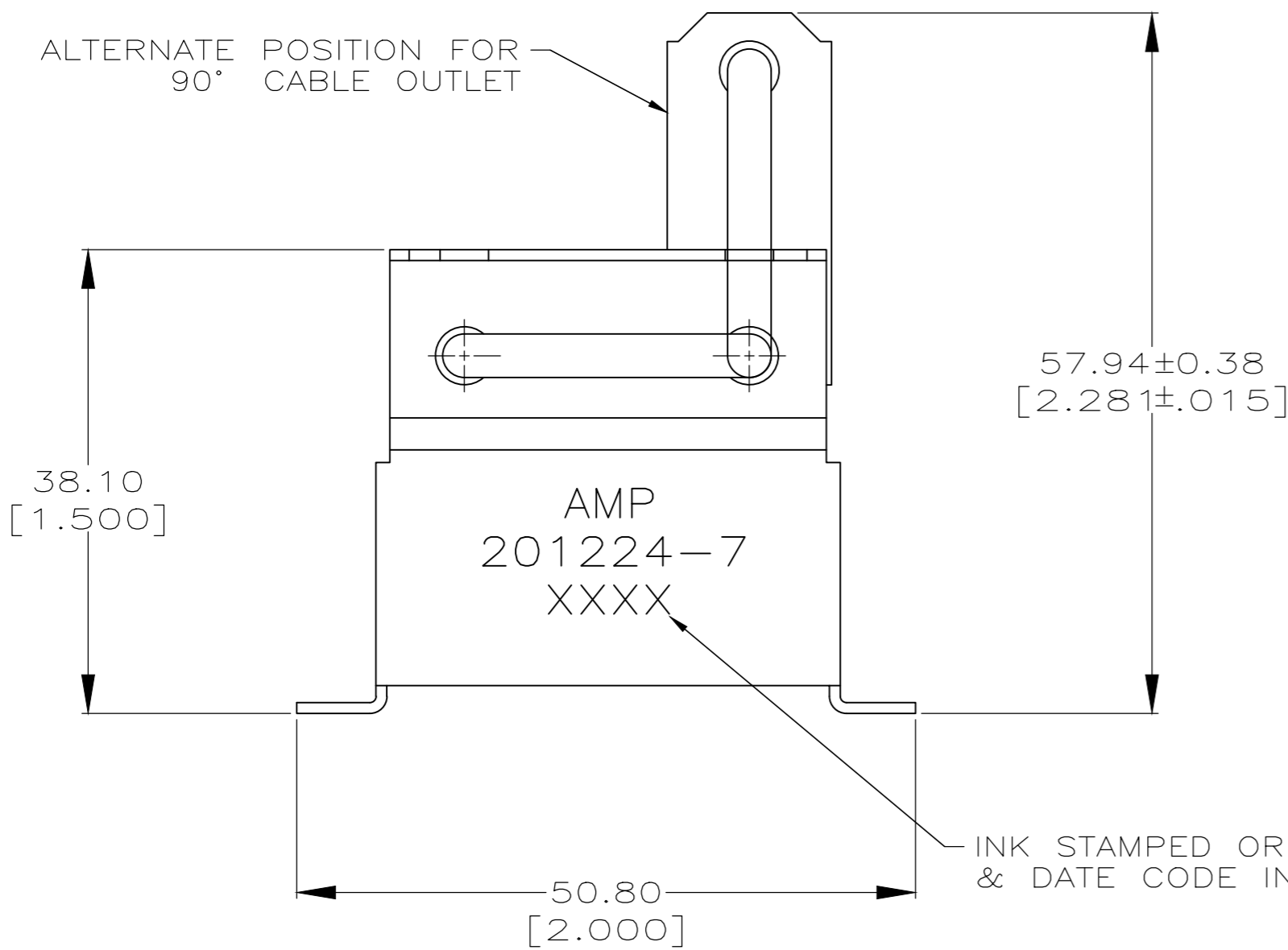
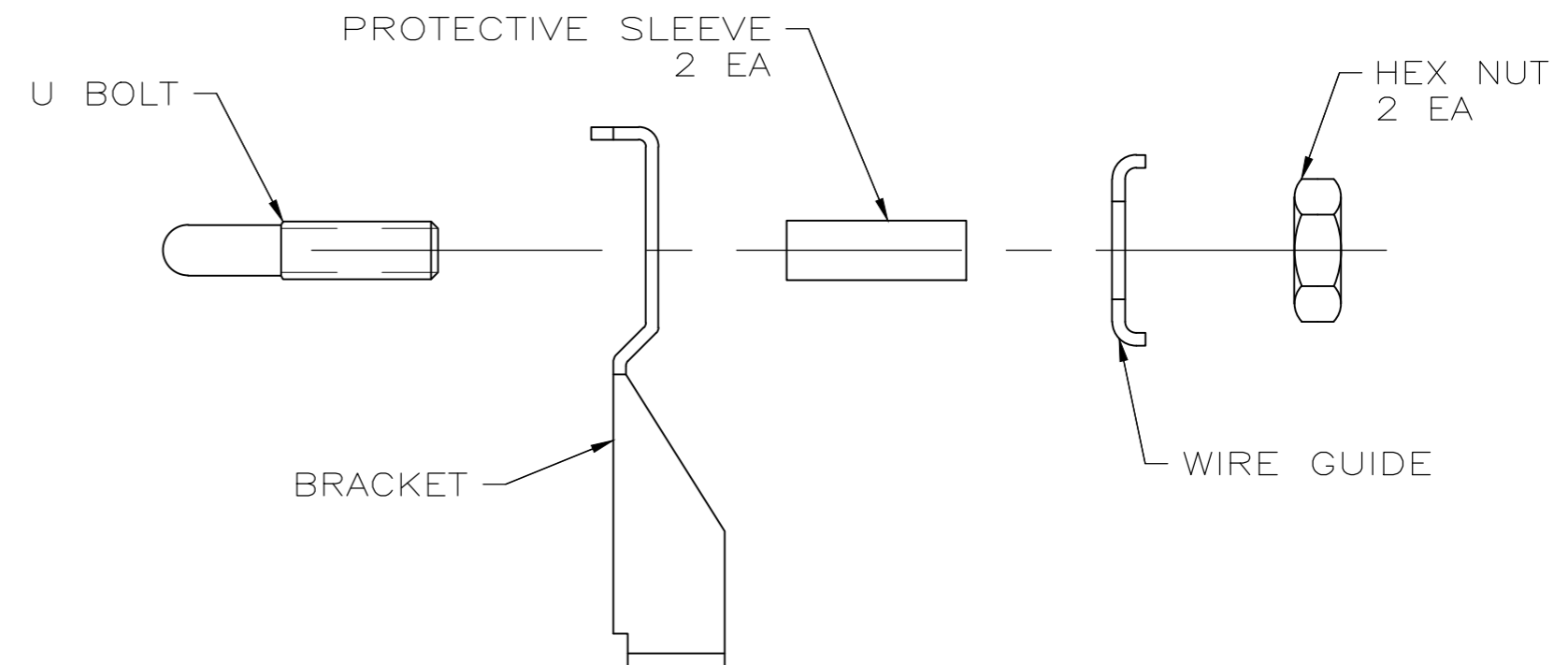
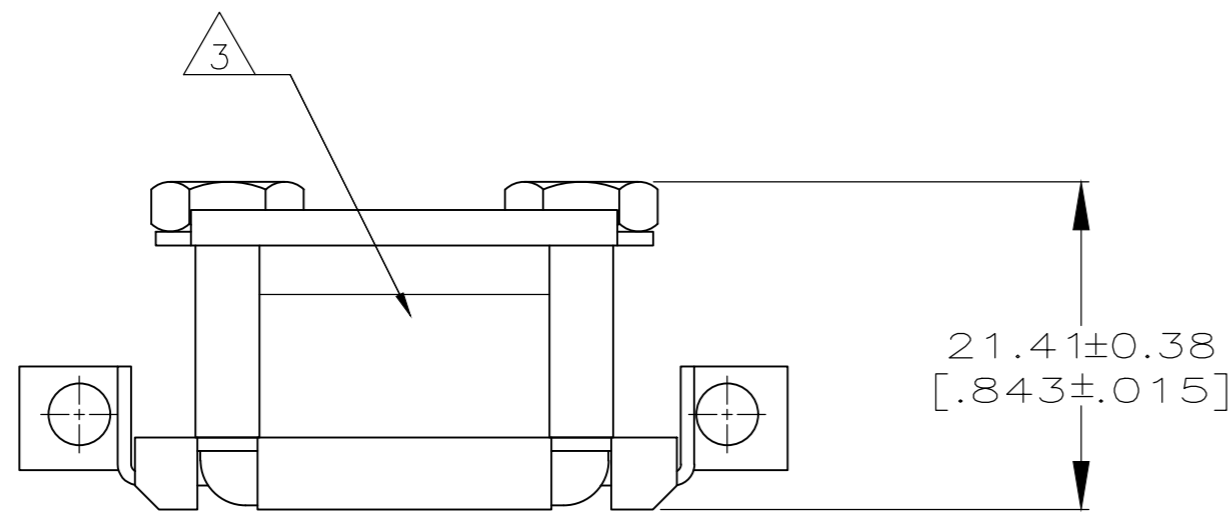


THIS DRAWING IS UNPUBLISHED. RELEASED FOR PUBLICATION  
 © COPYRIGHT - TE Connectivity Ltd. ALL RIGHTS RESERVED.

REVISIONS				
P	LTR	DESCRIPTION	DATE	APVD
W		REVISED PER ECO-18-007009	23MAY18	KH MZ



- 1 BRACKET: STAINLESS STEEL PER QQ-S-766.  
U BOLT: STAINLESS STEEL PER ASTM-A-582.  
WIRE GUIDE & HEX NUT: CARBON STEEL.  
PROTECTIVE SLEEVE: POLYVINYL CHLORIDE.
- 2 U BOLT: PASSIVATED.  
WIRE GUIDE: 5.08um[.000200] MIN NICKEL PLATE.  
HEX NUT: ZINC PLATED PER ASTM-B-633.
- 3 MAX CLAMP AREA = 225.81 SQ mm [.350 SQ IN]

SUPERSEDED BY 201224-7	201224-7
	201224-1
PART NUMBER	

THIS DRAWING IS A CONTROLLED DOCUMENT.		DWN C.REIFSNYDER 06 SEP 95	TE Connectivity Ltd.		
DIMENSIONS: mm [INCHES]		CHK R.STONE 15 SEP 95			
TOLERANCES UNLESS OTHERWISE SPECIFIED:		APVD G.STEINHAUER 03 OCT 95	NAME CLAMP KIT, UNASSEMBLED, 34 PLACE, MINIATURE RECTANGULAR, STRAIN RELIEF, M SERIES		
0 PLC ± - 1 PLC ± - 2 PLC ± 0.13 [.005] 3 PLC ± - 4 PLC ± - ANGLES ± -		PRODUCT SPEC APPLICATION SPEC	SIZE A2	CAGE CODE 00779	DRAWING NO C=201224
MATERIAL -	FINISH -	WEIGHT 0	SCALE 2:1	SHEET 1 of 1	REV W
CUSTOMER DRAWING			RESTRICTED TO		

201224

A

# Mouser Electronics

Authorized Distributor

Click to View Pricing, Inventory, Delivery & Lifecycle Information:

[TE Connectivity:](#)

[201224-7](#)