

PLEASE CHECK WWW.MOLEX.COM FOR LATEST PART INFORMATION

Part Number: [1300138078](#)
Status: **Active**
Overview: Brad Mini-Change Connectors
Description: Mini-Change Receptacle, 5 Poles, 1/2" - 14 NPT Threads, Male (Straight) to 16 AWG Leads, 1.0m (3.28') Length

Documents:

[Drawing \(PDF\)](#) [RoHS Certificate of Compliance \(PDF\)](#)

General

Product Family	Industrial Receptacles
Series	130013
IP Rating	IP67
Overview	Brad Mini-Change Connectors
Product Name	Mini-Change
Type	Single Ended (pigtail)
UPC	887191262673

Physical

Coupling Type	External Thread
Gender	Male
Keyway	Single
Length	1.0m
Material - Component	Zinc Die-Cast with Black Epoxy
Mounting Thread Size	1/2" - 14 NPT
Net Weight	137.532/g
Orientation	Straight
Panel Mount	Front
Poles	5
Temperature Range - Operating	-20° to +105°C
Wire Size AWG	16
Wire/Cable Type	UL 1015

Electrical

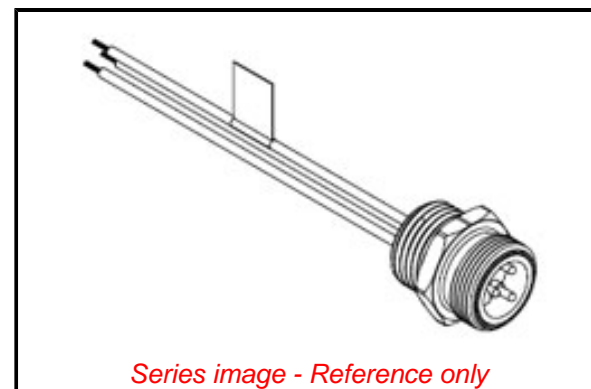
Current - Maximum per Contact	8.0A
Voltage - Maximum	300V AC/DC

Material Info

Engineering Number	1R5006A80M010
--------------------	---------------

Reference - Drawing Numbers

Sales Drawing	SD-130013-039-001
---------------	-------------------



Series image - Reference only

EU ELV

Compliant with Exemption 3

EU RoHS

Compliant with Exemption 6(c)

REACH SVHC

Contained Per - D(2020)9139-DC (19 Jan 2021)
Lead

Halogen-Free

Status

Not Relevant

For more information, please visit [Contact US](#)

China ROHS

ELV

RoHS Phthalates

China RoHS

Not Relevant

Compliant with

Exemption 3

Not Contained

Search Parts in this Series

[130013 Series](#)

Mouser Electronics

Authorized Distributor

Click to View Pricing, Inventory, Delivery & Lifecycle Information:

[Molex:](#)

[1300138078](#)