

Push Button Switch

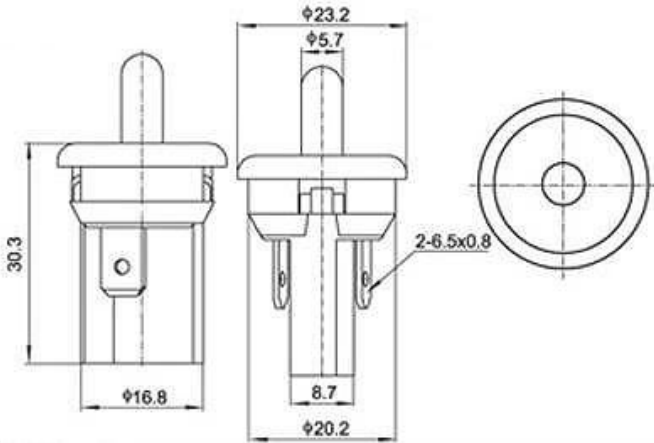
Q-9808

TYPE: **PBS-05C**

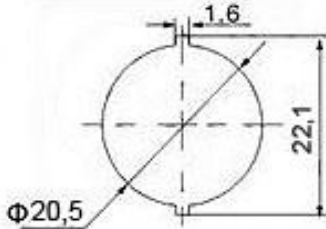
SPECIFICATIONS

Rating: 2,5A 250V AC
Contact R: 35mΩ max
Insulation R: 500V DC 100MΩ min
Dielectric Strength: 1 Minute 1000V AC
Operating Temperature: -25°C ~ +85°C
Electrical Life: 10, 000 Cycles

Outline Drawing



Mounting



Circuitry

