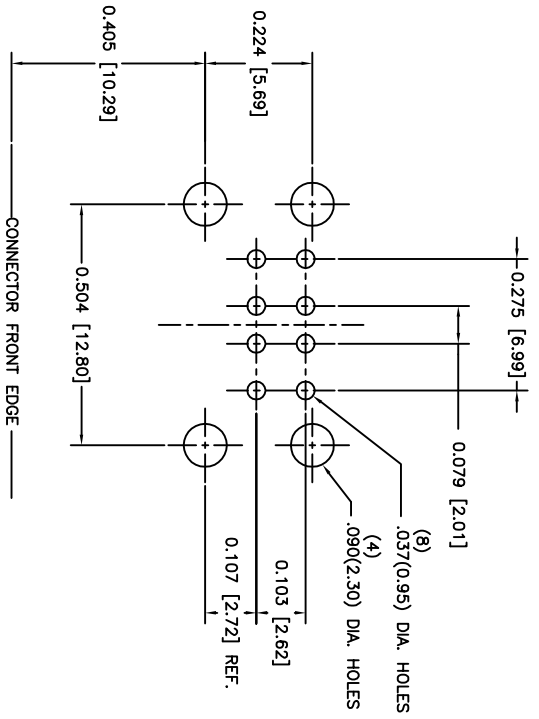
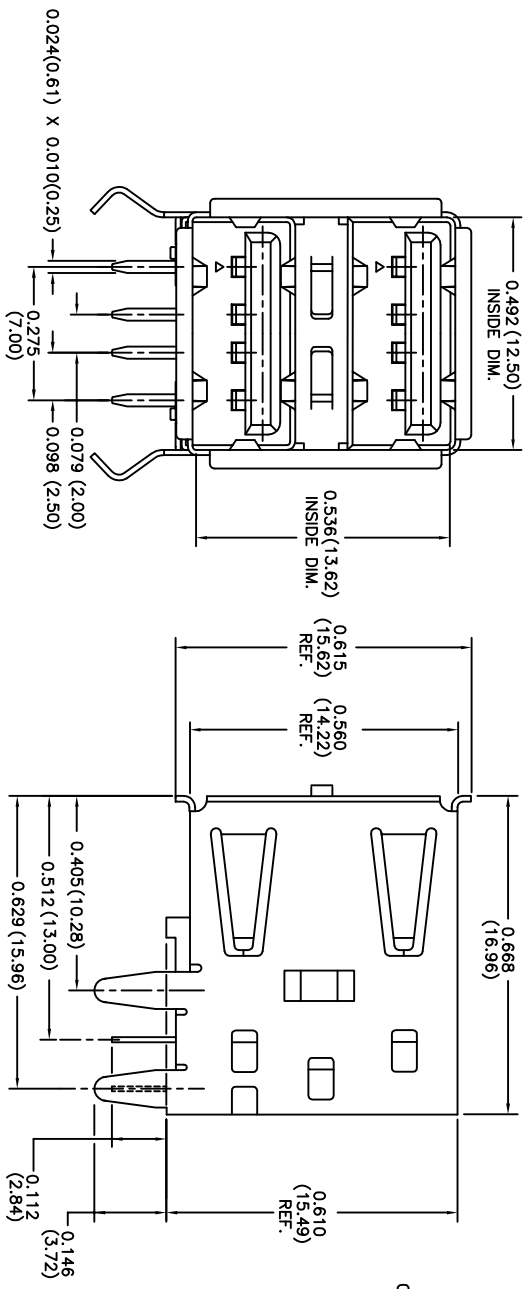


ISSUE NUMBER	1
ORIGINAL	
RE-DWG AS PER LATEST INF.	
F.BRIONES OCT.21/09	
	9

**SPECIFICATIONS:**

CURRENT RATING: 1.5 AMPD AT 250VAC  
 VOLTAGE RATING: 30V  
 INSULATION RESISTANCE: 1000 MEGOHMS MIN.  
 CONTACT RESISTANCE: 30 MILLIOHMS MAX.  
 DMV.: 500VAC  
 TEMPERATURE RANGE: -20°C TO +60°C



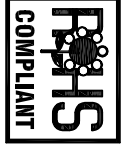
**RECOMMENDED PCB LAYOUT**

**MATERIALS:**

SHELL: COPPER ALLOY, NICKEL PLATED  
 CONTACTS: COPPER ALLOY GOLD PLATE ON CONTACT AREA  
 TIN ON TAIL END OVER NICKEL  
 GOLD FLASH  
 15 MICRONS OF GOLD  
 30 MICRONS OF GOLD  
 INSULATOR: THERMOPLASTIC (HIGH TEMPERATURE RESISTANCE)

PART NUMBER: 690-008-221-013

CONTACT CODE \_\_\_\_\_



THIS SERIES FULLY CONFORMS TO THE  
 EUROPEAN UNION DIRECTIVES 2002/95/EC  
 AND 2002/96/EC FOR ROHS COMPLIANCY.

**USB CONNECTOR A TYPE, RIGHT ANGLE, DOUBLE DECK**

<p>EDAC INC        TORONTO, ONTARIO        CANADA        YOUR CONNECTION TO QUALITY &amp; SERVICE</p>	<p>THESE DRAWINGS AND SPECIFICATIONS ARE THE PROPERTY OF EDAC INC. AND SHALL NOT BE REPRODUCED, OR COPIED OR USED AS THE BASIS FOR THE MANUFACTURE OR SALE OF APPARATUS WITHOUT WRITTEN PERMISSION.</p>	<p>ACAD REFERENCE NO. 690-008-221-013</p>
	<p>SCALE: N.T.S. SHEET 1 OF 1</p>	<p>DATE: OCT.21/09</p>
<p>DRAWING NUMBER 690-008-221-013</p>	<p>CHECKED: _____ DATE: _____</p>	<p>ISSUE 9</p>

# Mouser Electronics

Authorized Distributor

Click to View Pricing, Inventory, Delivery & Lifecycle Information:

[EDAC:](#)

[690-008-621-013](tel:690-008-621-013)