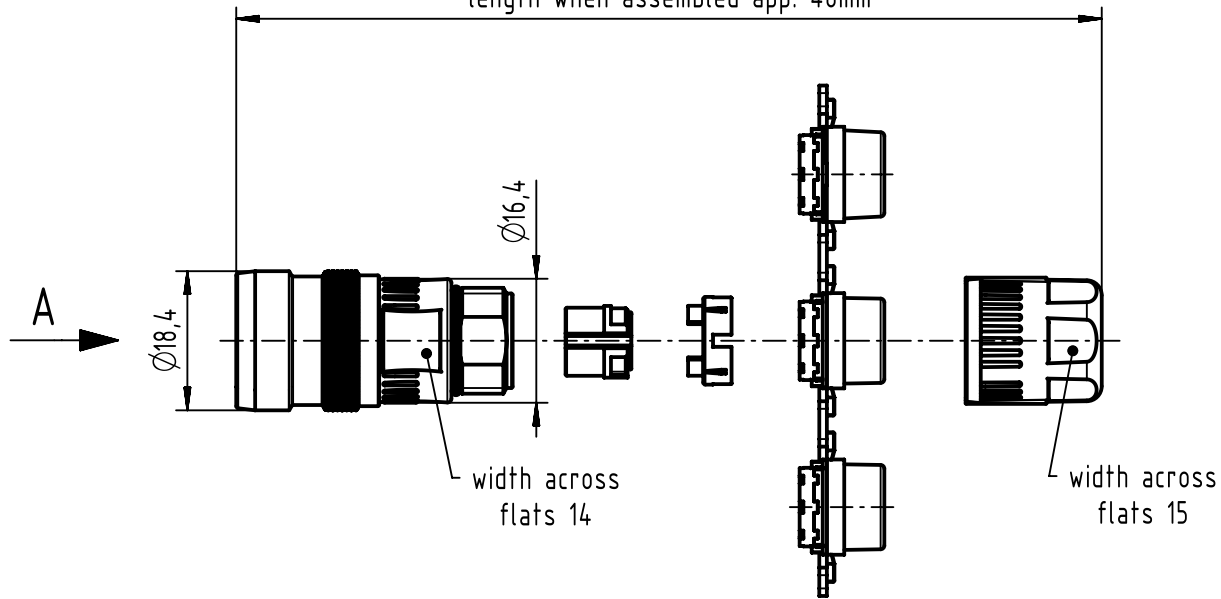
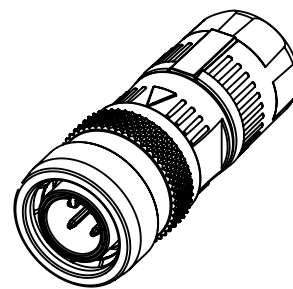
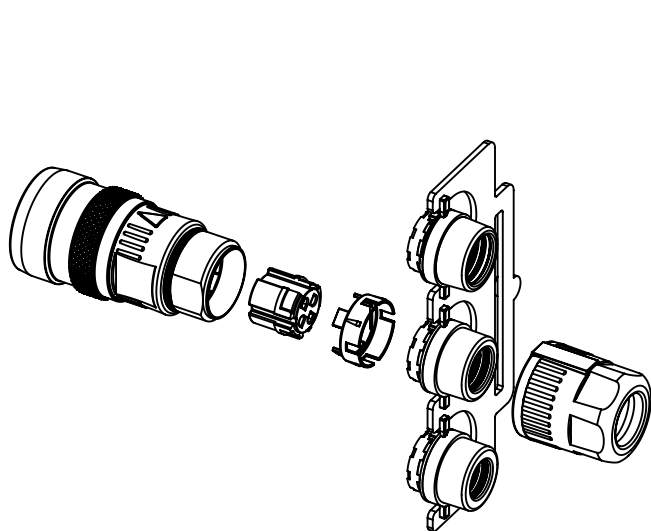
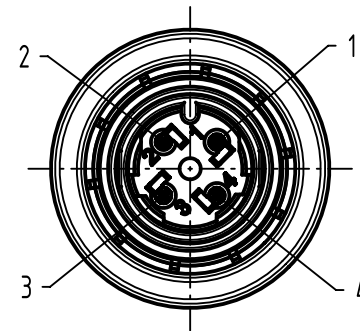


1 2 3 4 5 6

length when assembled app. 46mm



A (2:1)  
contact face acc. to  
IEC 61076-2-101



conductor cross section	AWG26
cable outside diameter	5.7 - 8.8mm

	All rights reserved Department EL PD	All Dimensions in mm Original Size DIN A4		Scale 1:1	Free size tol.	Ref. Sub.
		HARTING Electronics GmbH D-32339 Espelkamp	Created by BUSSMANN	Inspected by GENAU	Standardisation HOFFMANN	Date 2018-04-20
Title M12-PP-CC-IDC-4P-ACOD-M-STR-SHLD					Doc-Key / ECM-Nr. 100730330/UGD/001/A 500000133855	
Type TB			Number 21033221411		Rev. A	Page 1/1