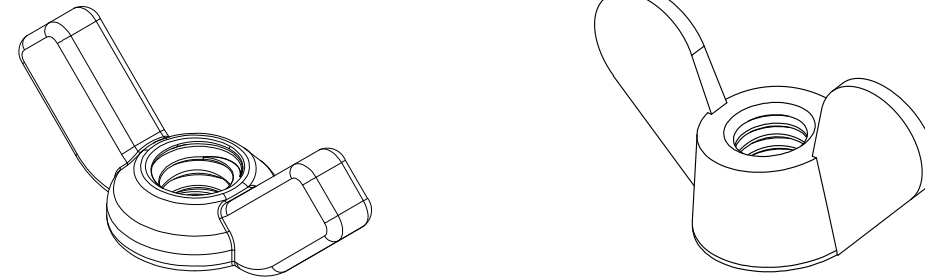
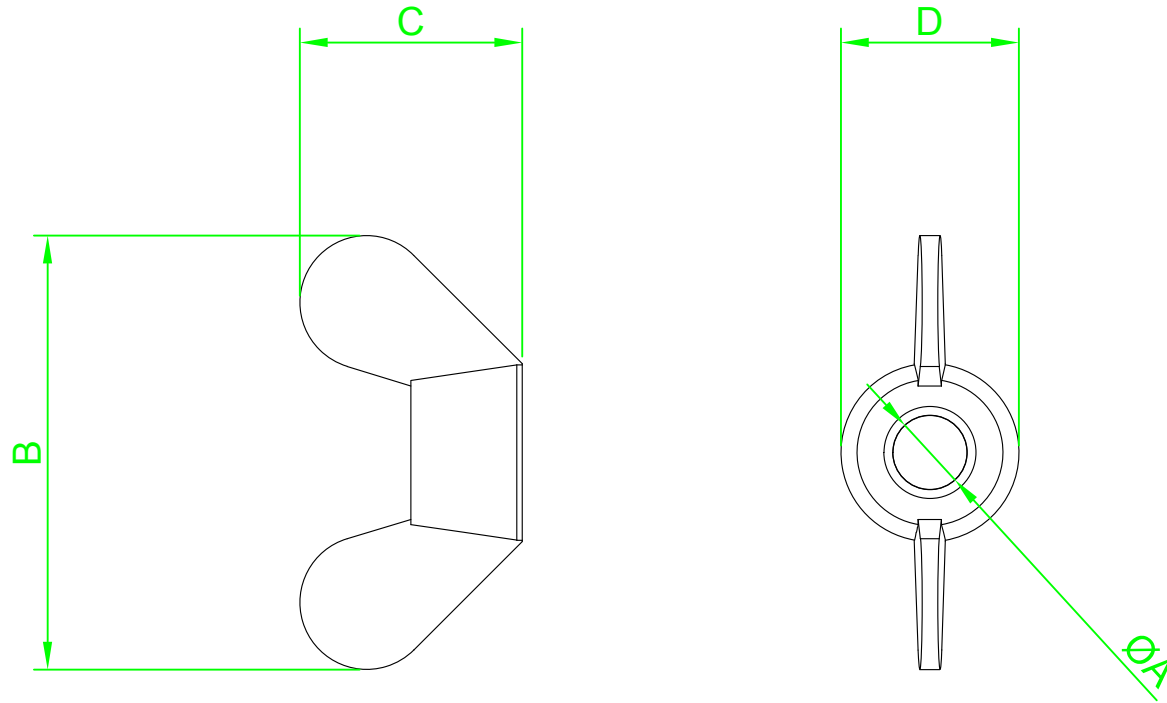


DO NOT SCALE DRAWING



Part Number	ØA	B Ref	C Ref	D Ref
M3 - NWA2- S50	M3-0.5	16.5	9.0	8.0
M4 - NWA2- S50	M4-0.7	20	10.5	8.0
M5 - NWA2- S50	M5-0.8	26	13.0	11.0
M6 - NWA2- S50	M6-1.0	33	17.0	13.0
M8 - NWA2- S50	M8-1.25	39	20	16.0

NOTES:  
Form of wing maybe supplied as Radius or Edged (flat) shape.



DESIGN RIGHT. TR FASTENINGS LTD, 2003  
UNDER NO CIRCUMSTANCES MUST THIS  
DRAWING BE COPIED OR DISCLOSED  
WITHOUT FIRST OBTAINING WRITTEN  
AUTHORITY.

UNLESS OTHERWISE SPECIFIED:  
DIMENSIONS ARE IN MM (MILLIMETERS).  
SURFACE FINISH:  
TOLERANCES:

	NAME	DATE
DRAWN	Darryl Wilson	23.09.15
CHK'D		
APPVD		

CUSTOMER PART NUMBER:  
N/A

MATERIAL:  
Stainless Steel A2

HEAT TREATMENT:

FINISH:  
Self Finish

TITLE:  
Wing Nut

DRAWING NUMBER:  
TR32NWA2-S50

REVISION

A INITIAL DRAWING 23.9.15

PROJECTION

