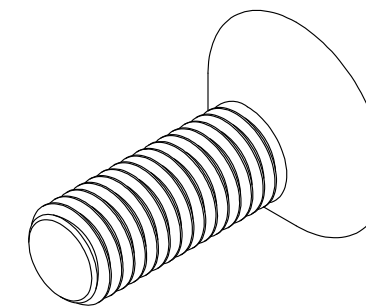
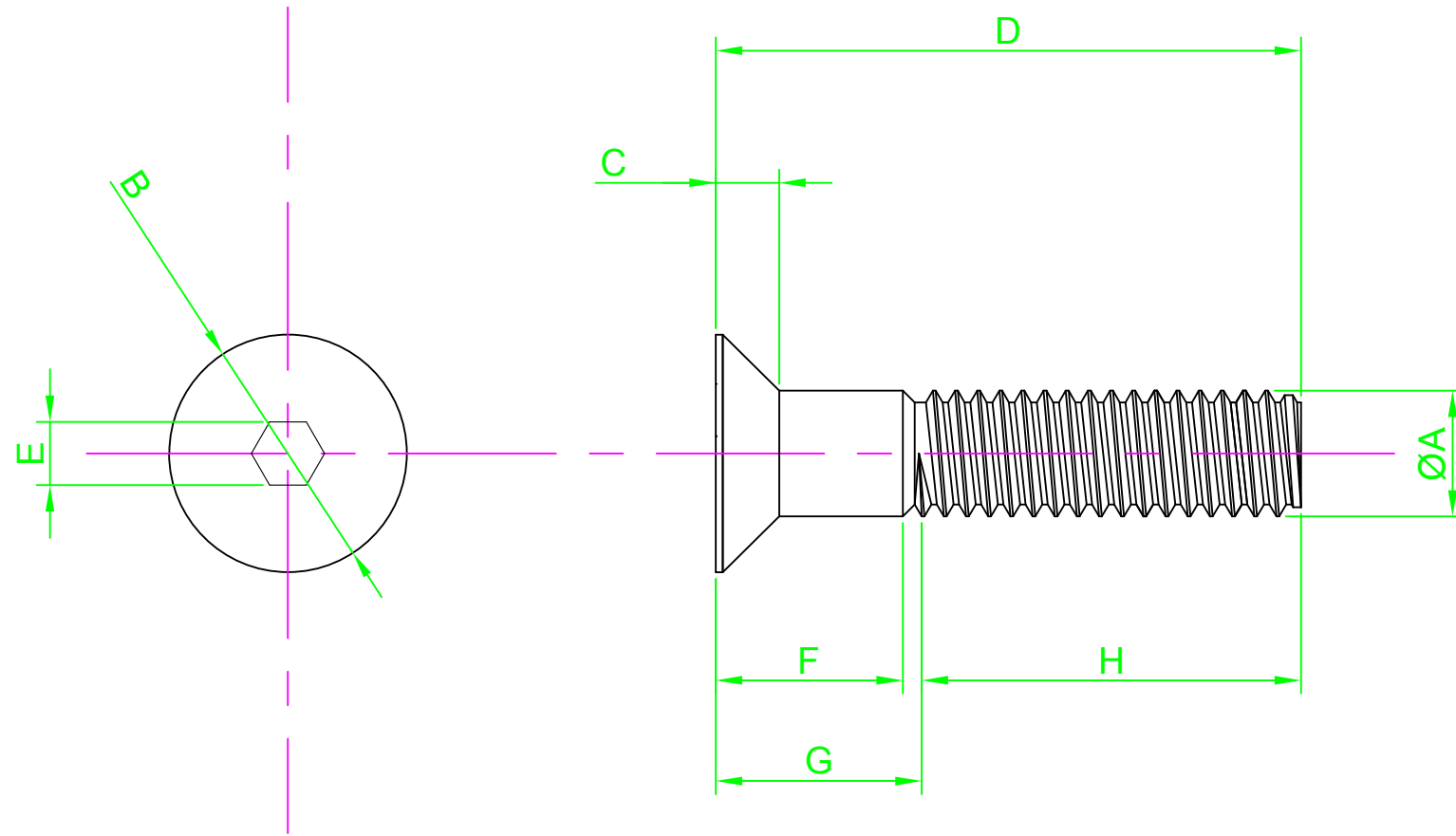


DO NOT SCALE DRAWING



REVISION

A INITIAL DRAWING 25.01.16

Part Number	ØA	B Nom	C Max	D Length	E Nom	F Min	G Max	H Ref
M3 8 KH10MC Z100	M3-0.5	6.0	1.7	8.0	2.0	N/A	3.20	N/A
M3 10 KH10MC Z100				10.0				
M3 12 KH10MC Z100				12.0				

NOTES:



UNLESS OTHERWISE SPECIFIED:
DIMENSIONS ARE IN MM (MILLIMETERS).
SURFACE FINISH:
TOLERANCES: DIN 7991

MATERIAL:
Steel

TITLE:
Hex Socket Csk Head Cap Screw DIN 7991

	NAME	DATE
DRAWN	Darryl Wilson	25.01.16
CHK'D		
APPVD		

HEAT TREATMENT:
Grade 10.9

DESIGN RIGHT. TR FASTENINGS LTD, 2003
UNDER NO CIRCUMSTANCES MUST THIS
DRAWING BE COPIED OR DISCLOSED
WITHOUT FIRST OBTAINING WRITTEN
AUTHORITY.

CUSTOMER PART NUMBER:
N/A

FINISH:
TC1D - Commercial Zinc/Clear Cr3
De-Embrittled

DRAWING NUMBER:
TR32KH10MCZ100

A4

PROJECTION

