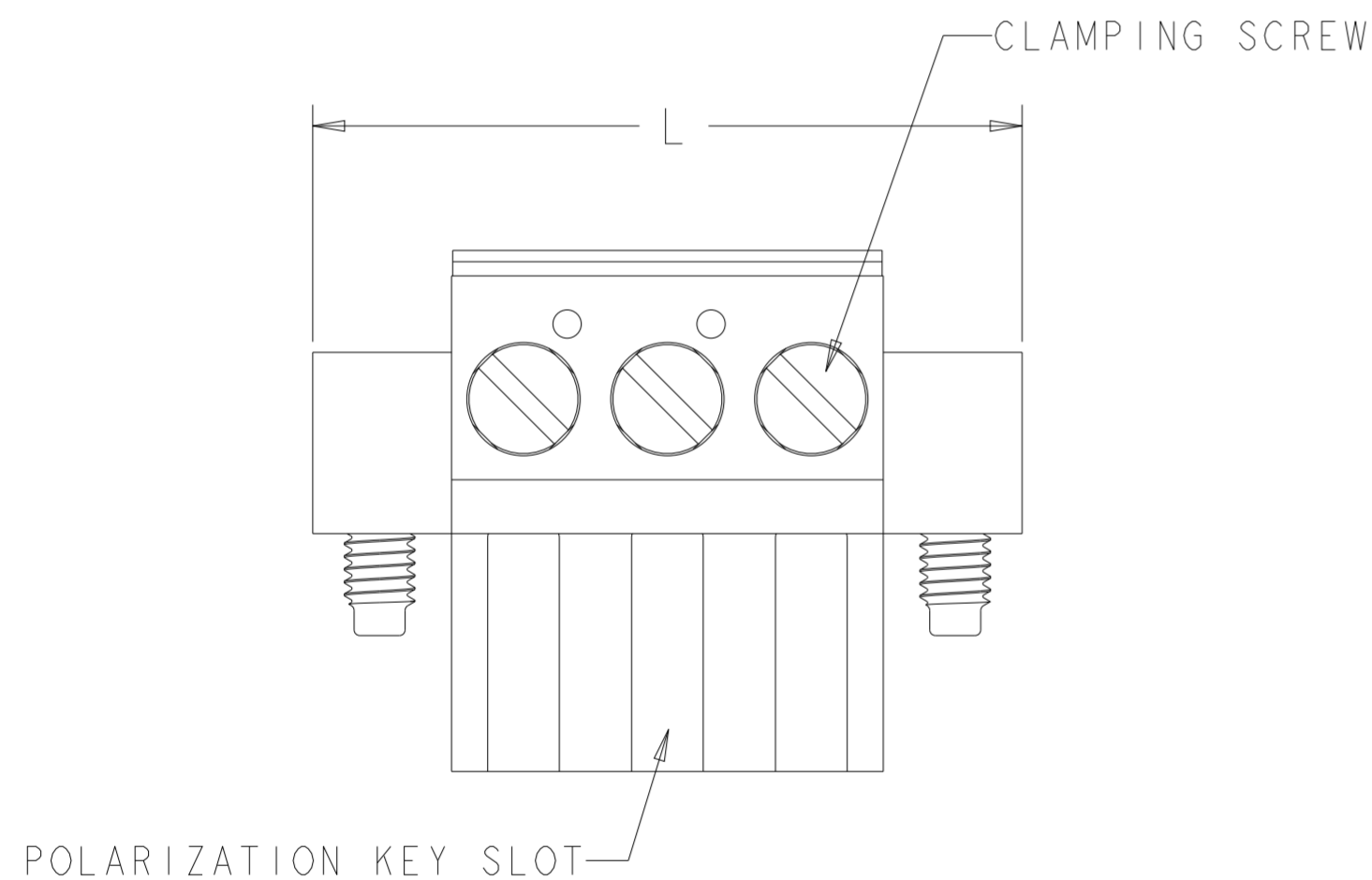
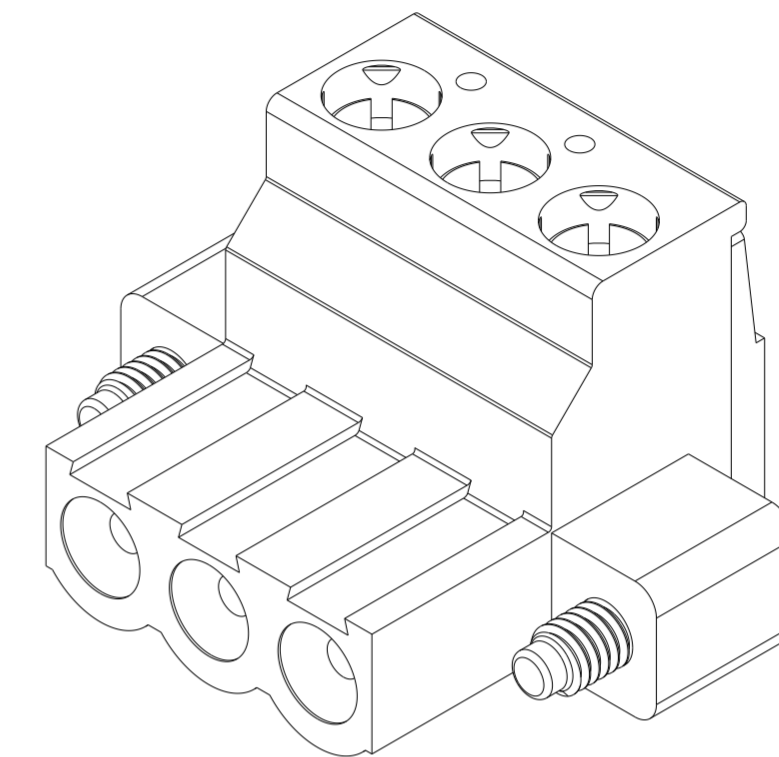
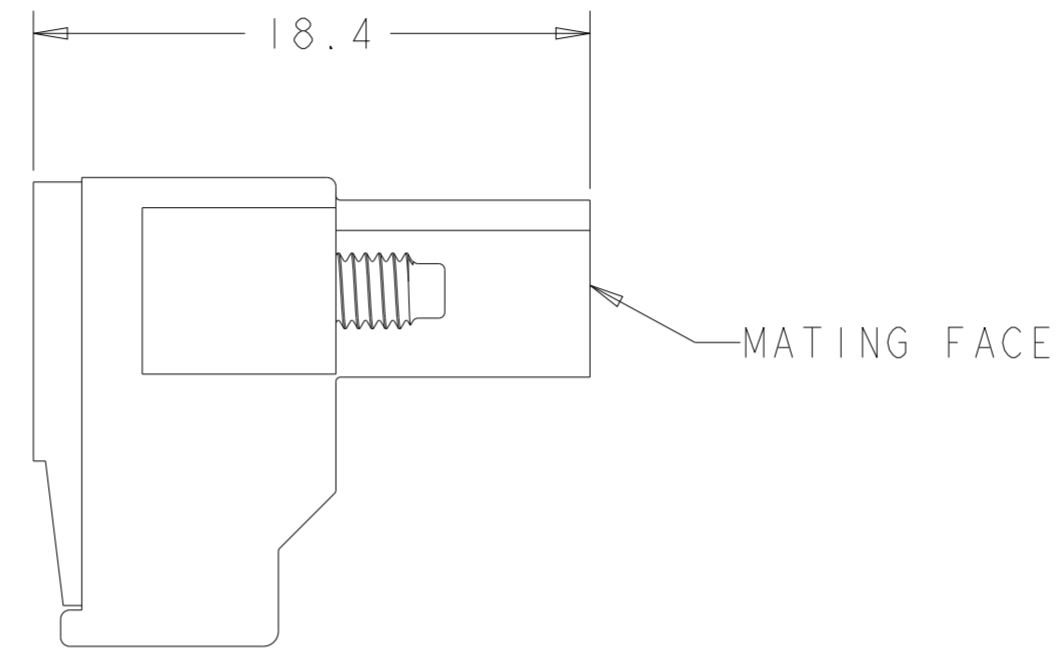
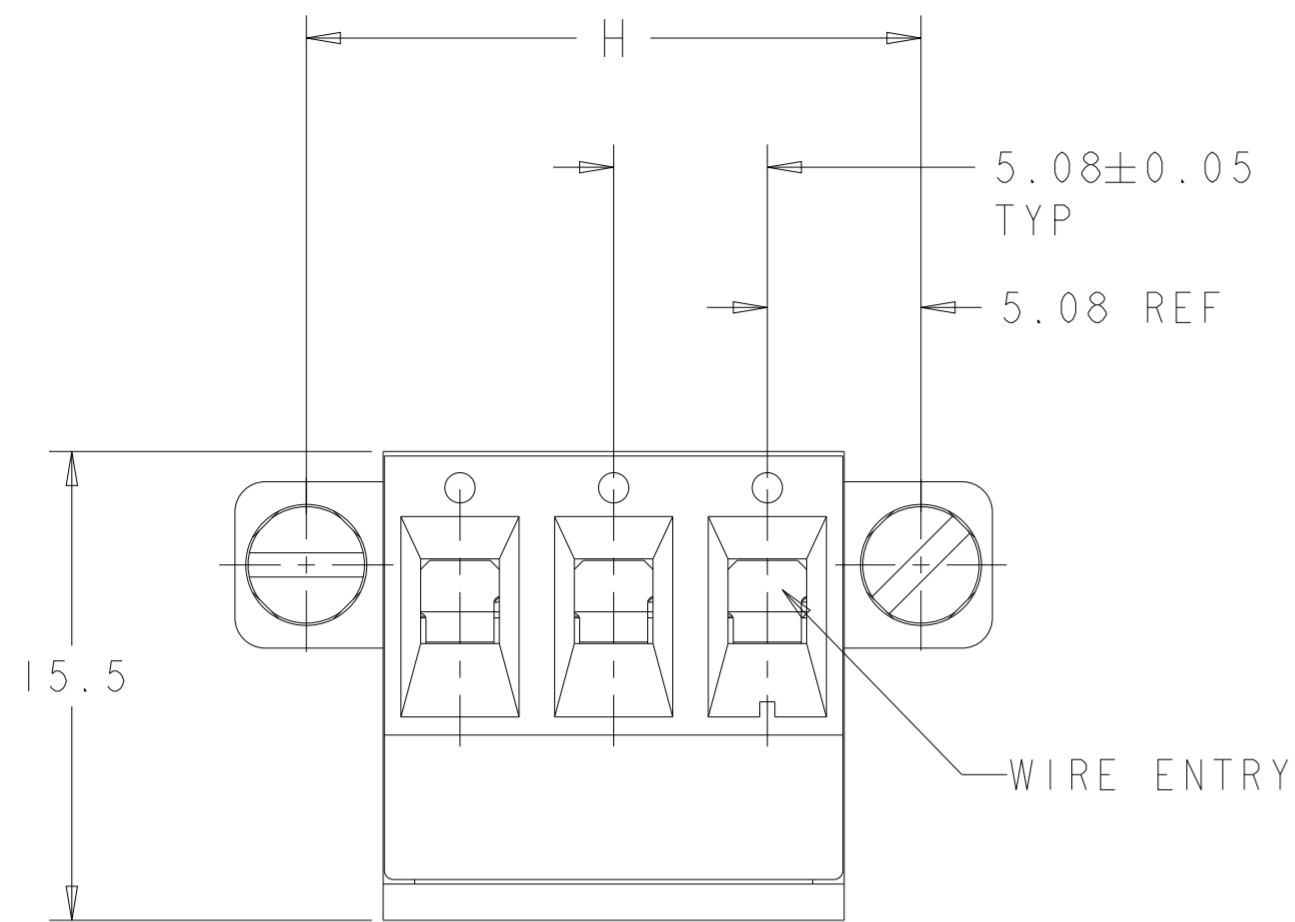


REVISIONS					
P	LTR	DESCRIPTION	DATE	DWN	APVD
E3		REVISED PER ECO-11-004587	11MAR2011	RK	HMR
E4		PART STATUS UPDATED	05JUL2021	SB	SS



TERMINAL PLATING	MARKING	SPECIAL	L	H	NO. OF POSN	PART NUMBER
0.76µm GOLD	-	-	60.60	55.88	10	2-796859-6
0.2µm GOLD	△6	DETAIL G	35.20	30.48	5	2-796859-5
TIN	△5	DETAIL F	25.04	20.32	3	2-796859-4
TIN	-	-	126.64	121.92	23	2-796859-3
TIN	-	-	121.56	116.84	22	2-796859-2
TIN	-	-	116.48	111.76	21	2-796859-1
TIN	-	-	111.40	106.68	20	2-796859-0
TIN	-	-	106.32	101.60	19	1-796859-9
TIN	-	-	101.24	96.52	18	1-796859-8
TIN	-	-	96.16	91.44	17	1-796859-7
TIN	-	-	91.08	86.36	16	1-796859-6
TIN	-	-	86.00	81.28	15	1-796859-5
TIN	-	-	80.92	76.20	14	1-796859-4
TIN	-	-	75.84	71.12	13	1-796859-3
TIN	-	-	70.76	66.04	12	1-796859-2
TIN	-	-	65.68	60.96	11	1-796859-1
TIN	-	-	60.60	55.88	10	1-796859-0
TIN	-	-	55.52	50.80	9	796859-9
TIN	-	-	50.44	45.72	8	796859-8
TIN	-	-	45.36	40.64	7	796859-7
TIN	-	-	40.28	35.56	6	796859-6
TIN	-	-	35.20	30.48	5	796859-5
TIN	-	-	30.12	25.40	4	796859-4
TIN	-	-	25.04	20.32	3	796859-3
TIN	-	-	19.96	15.24	2	796859-2

△ MATERIALS AND FINISH:
 HOUSING: PA 6-6, UL 94-V0, COLOR: GREEN.
 TERMINAL: PHOSPHOR BRONZE, PLATING: SEE TABLE, OVER 2-3µm NICKEL

- SUITABLE FOR 1,6-2, 4mm PC BOARD THICKNESS.
- RECOGNIZED UNDER THE COMPONENT PROGRAM OF UNDERWRITERS LABORATORIES INC. FILE No. E60677.
- IMQ CERTIFICATE WITH SURVEILLANCE ON CONFORMITY WITH IEC 998-1/998-2-1.

- △ INK MARKING, COLOR: WHITE.
- △ LABEL APPLIED OR INK MARKING AS SHOWN.

THIS DRAWING IS A CONTROLLED DOCUMENT.

DIMENSIONS: mm	TOLERANCES UNLESS OTHERWISE SPECIFIED:	DWN S. WELDON 12FEB2001	TE Connectivity NAME: TERMINAL BLOCK, PLUG 90 DEGREE, WITH FLANGE, 5.08mm PITCH
0 PLC ±0.2	1 PLC ±0.00	CHK D. BIEVENOUR 12FEB2001	
2 PLC ±0.00	3 PLC ±0.000	APVD D. BIEVENOUR 12FEB2001	
4 PLC ±0.000	ANGLES ±	FINISH	
MATERIAL	FINISH	PRODUCT SPEC	SIZE: A2
		APPLICATION SPEC	CAGE CODE: 00779
		WEIGHT	DRAWING NO: C-796859
		CUSTOMER DRAWING	RESTRICTED TO

SCALE: 4:1 SHEET 1 OF 2 REV E4

4

3

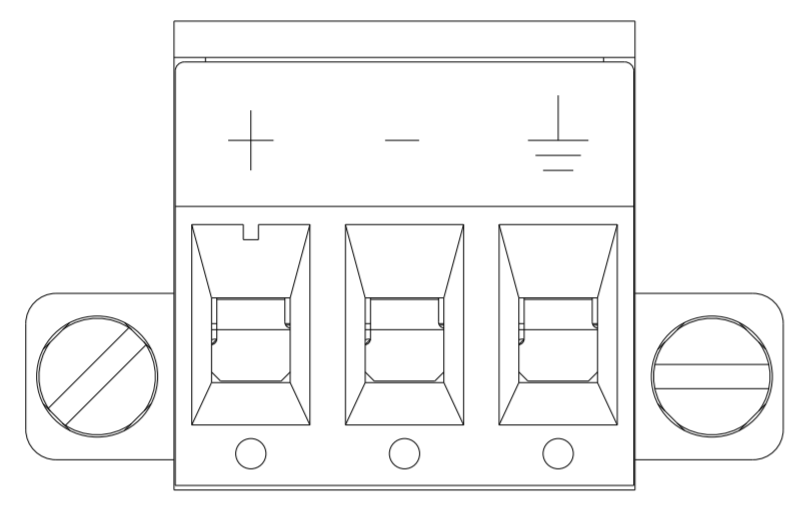
2

1

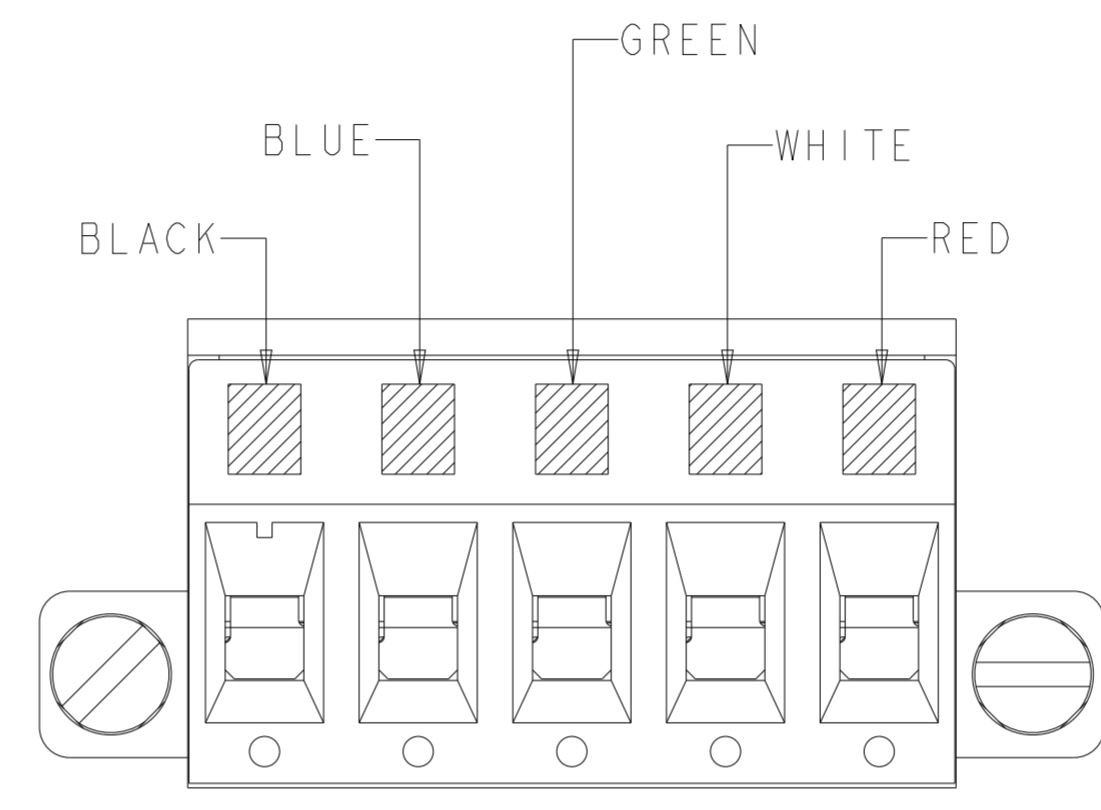
© 2021 TE Connectivity. All Rights Reserved.

REVISIONS

P	LTR	DESCRIPTION	DATE	DWN	APVD
-		SEE SHEET 1	-	-	-



DETAIL F



DETAIL G

THIS DRAWING IS A CONTROLLED DOCUMENT.		DWN S. WELDON 12FEB2001														
DIMENSIONS: mm		CHK D. BIEVENOUR 12FEB2001														
TOLERANCES UNLESS OTHERWISE SPECIFIED:		APVD D. BIEVENOUR 12FEB2001	NAME TERMINAL BLOCK, PLUG 90 DEGREE, WITH FLANGE, 5.08mm PITCH													
<table border="1"> <tr><td>0 PLC</td><td>±</td></tr> <tr><td>1 PLC</td><td>±0.2</td></tr> <tr><td>2 PLC</td><td>±0.00</td></tr> <tr><td>3 PLC</td><td>±0.000</td></tr> <tr><td>4 PLC</td><td>±0.0000</td></tr> <tr><td>ANGLES</td><td>±</td></tr> </table>		0 PLC	±	1 PLC	±0.2	2 PLC	±0.00	3 PLC	±0.000	4 PLC	±0.0000	ANGLES	±	PRODUCT SPEC -	SIZE A2	CAGE CODE 00779
0 PLC	±															
1 PLC	±0.2															
2 PLC	±0.00															
3 PLC	±0.000															
4 PLC	±0.0000															
ANGLES	±															
MATERIAL		APPLICATION SPEC -	DRAWING NO C-796859	RESTRICTED TO												
FINISH		WEIGHT -	SCALE 4:1 SHEET 2 OF 2 REV E4													
CUSTOMER DRAWING																

Mouser Electronics

Authorized Distributor

Click to View Pricing, Inventory, Delivery & Lifecycle Information:

[TE Connectivity:](#)

[1-796859-0](#)